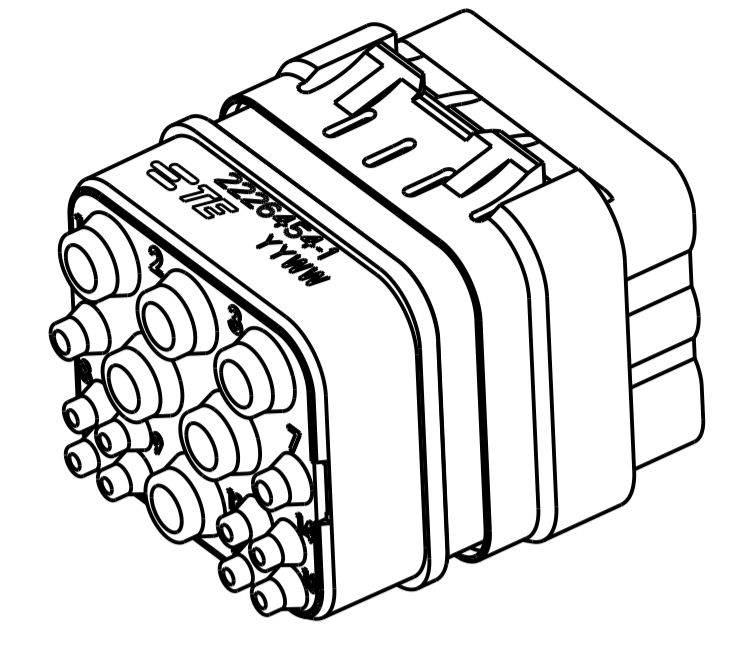
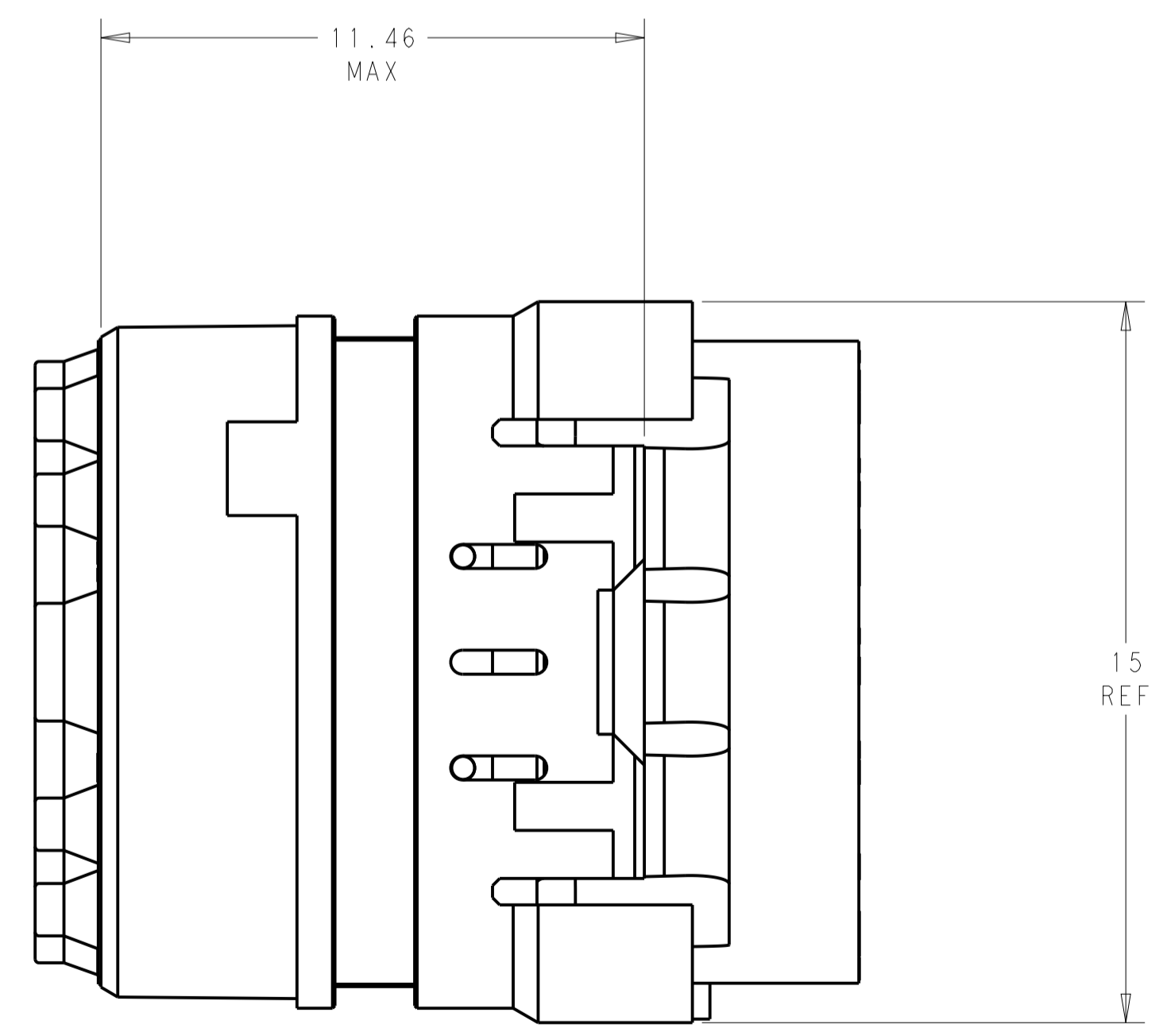
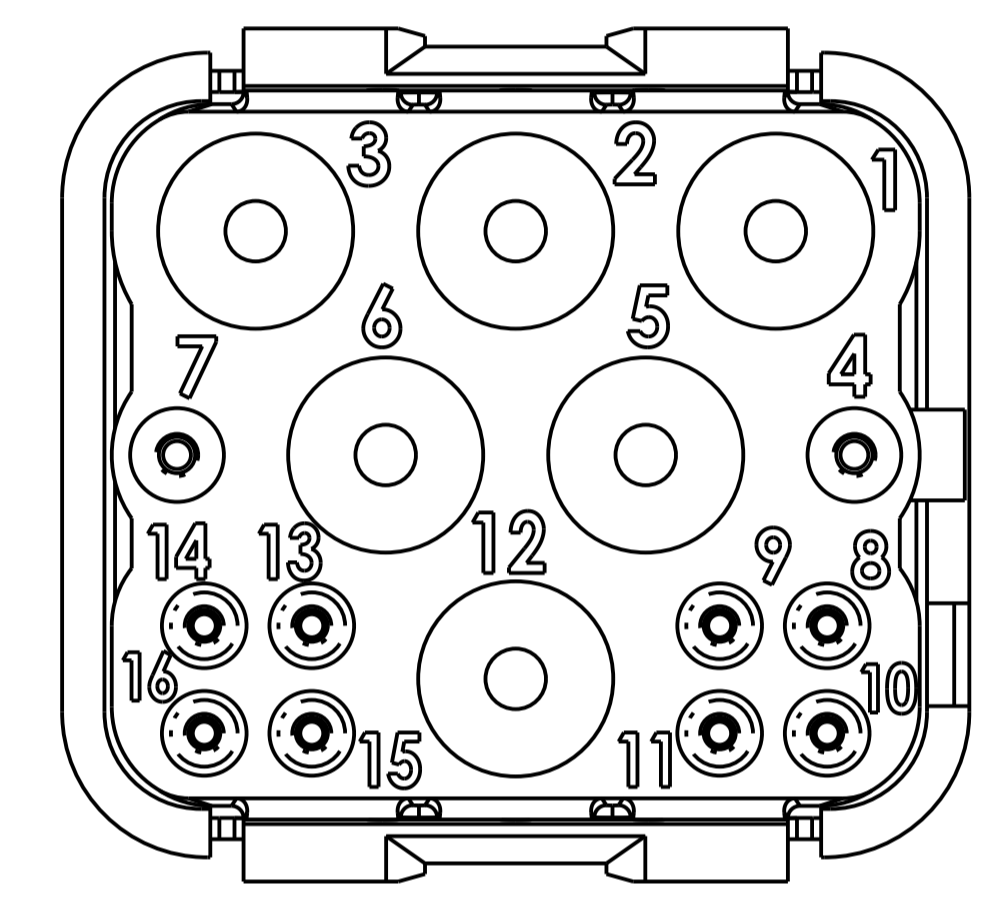
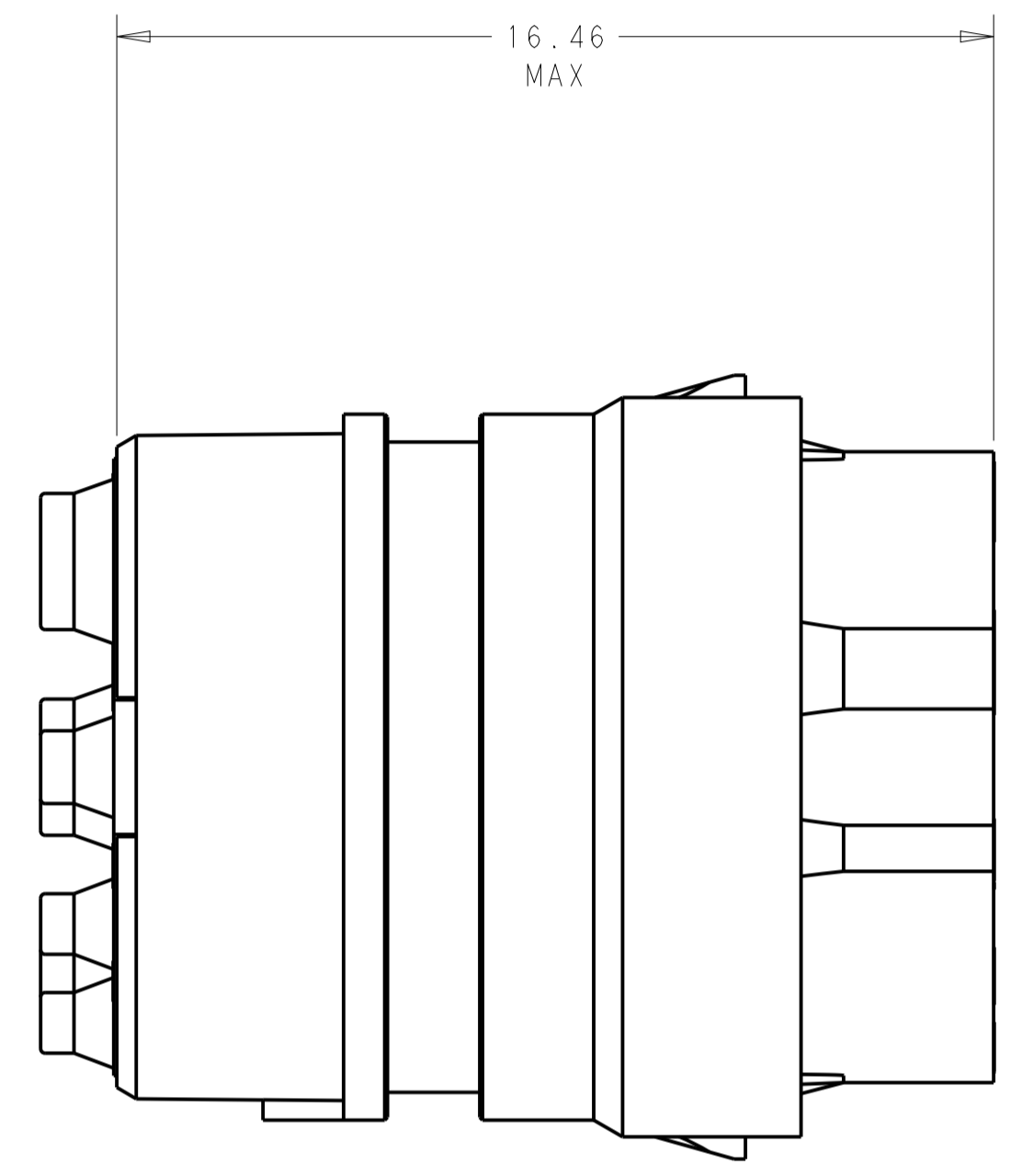
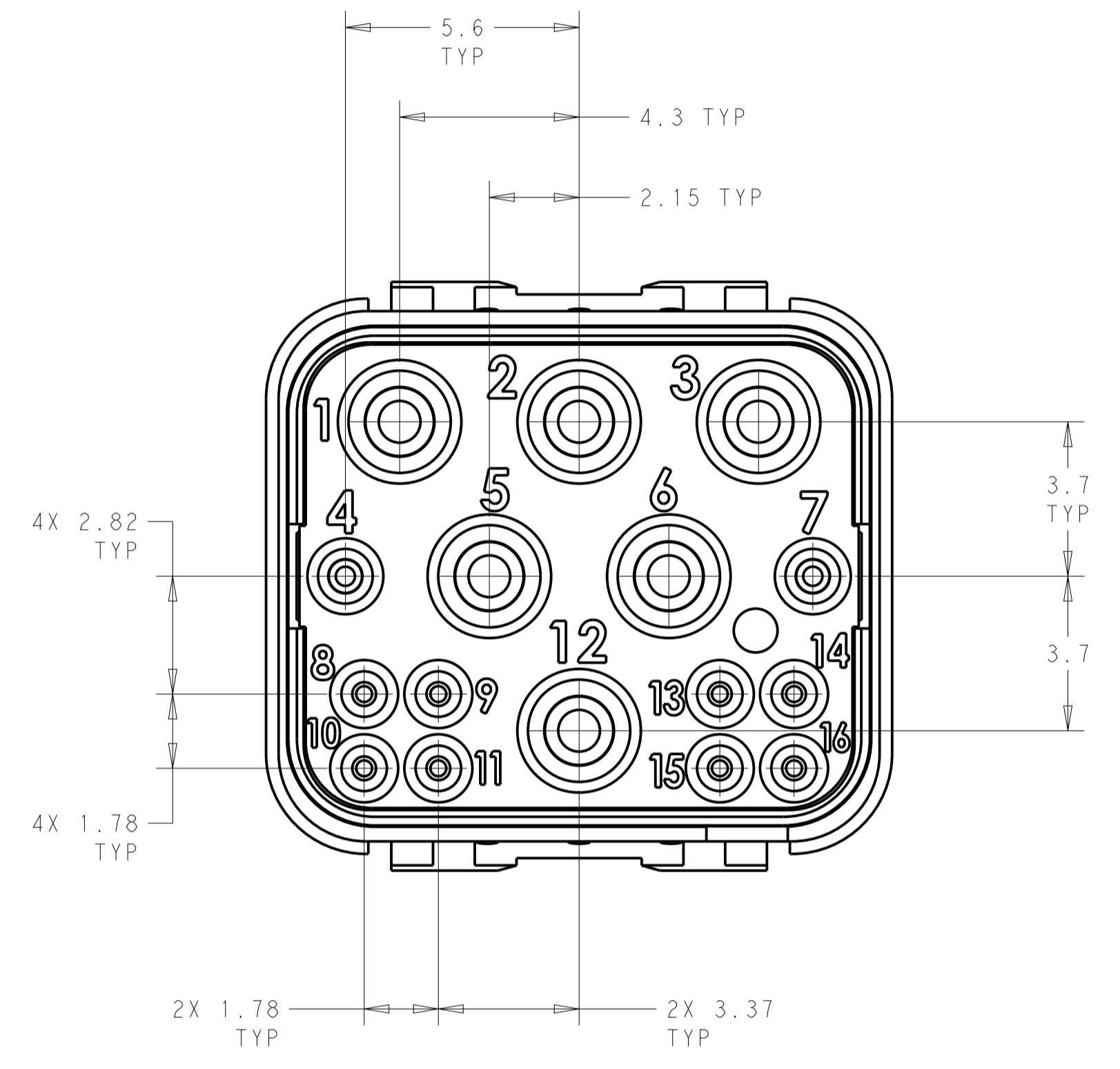


LOC		DIST		REVISIONS			
P	LTN	DESCRIPTION	DATE	DWN	APVD		
D		REV PER ECO-14-000346	03JAN2014	DLB	RL		
E		REV PER ECO-14-002095	04FEB2014	DLB	RL		
F		REV PER ECO-14-006893	21MAY2014	DLB	RL		
G		REV PER ECO-14-009184	17JUN2014	DLB	RL		

- TEMPERATURE RANGE: -55°C TO +175°C
- MATERIAL: THERMOPLASTIC, FLUOROSILICONE
- CHARACTERISTICS:
 - DELIVERED WITHOUT CONTACTS, MUST BE ORDERED SEPARATELY
 - PIN #16 CONTACTS (QTY=6) PER MIL-C 39029/58-364 (DEUTSCH P/N 38941-16L)
 - PIN #22 CONTACTS (QTY=2) PER MIL-C 39029/58-360 (DEUTSCH P/N 38941-22L)
 - PIN GbE CONTACTS (QTY=8) (DEUTSCH P/N 605705-31 OR TE P/N 2226891-1)
- HAND CRIMP TOOL FOR GbE CONTACTS:
 - DMC M22520/2-01, SETTING NUMBER 3
 - POSITIONER: K1587
- COMPATIBLE WITH ARINC 809 PLUG SHELLS (DEUTSCH P/N DMC-MD20 SERIES)
- COMPATIBLE WITH ARINC 809 RECEPTACLE SHELLS (DEUTSCH P/N DMC-MD24 AND DMC-MD26 SERIES)



SCALE 4:1



2226454-1
 ASSEMBLY, PIN, INSERT MODULE

2226454-1
 PART NUMBER

THIS DRAWING IS A CONTROLLED DOCUMENT.		DWN: DLB 29MAY2013	
DIMENSIONS: mm		CHK: R LUCCENTE 29MAY2013	
TOLERANCES UNLESS OTHERWISE SPECIFIED:		APVD: -	NAME: ASSEMBLY, PIN, INSERT MODULE CABLE ATTACH, GbE + POWER
0 PLC ±.5	1 PLC ±.5	PRODUCT SPEC	SIZE: A1
2 PLC ±.13	3 PLC ±.013	APPLICATION SPEC	CAGE CODE: 00779
4 PLC ±.0001	ANGLES ±.001	WEIGHT: -	DRAWING NO: 2226454
MATERIAL: -	FINISH: -	CUSTOMER DRAWING	RESTRICTED TO: -
		SCALE: 8:1	SHEET: 1 OF 1
		REV: G	