



84409-40

Brand Features

Leviton Combination Wallplates come in a variety of configurations and gangs, and are available in a broad selection of materials including, aluminum, brass, stainless steel and plastic, and in an assortment of colors. If you have a unique application, Leviton can also customize a wallplate for a specific job.

Item Description

2-Gang Decora/GFCI Device Decora Wallplate, Standard Size, 302 Stainless Steel, Device Mount, Stainless Steel, Brushed Finish

Technical Information

Product Features

Type: Standard Size

Gang: 2

Material: 302 Stainless Steel

Color: Stainless Steel

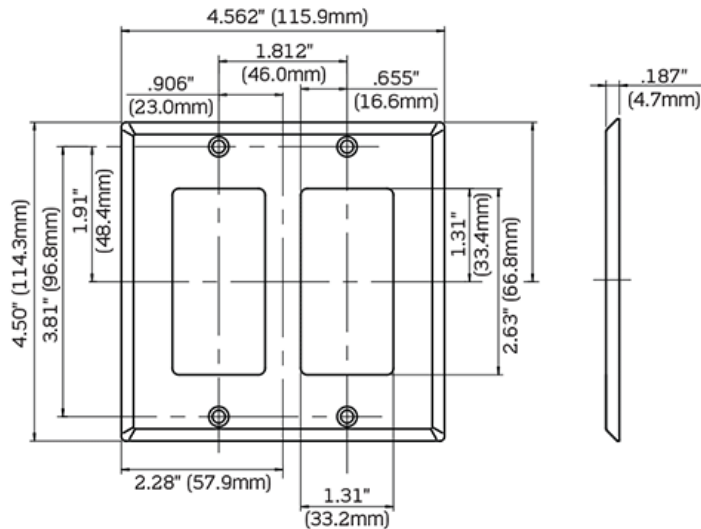
Mount: Device

Standards and Certifications: UL/CSA

Warranty: 10-Year Limited

Color: N/A Stainless Steel

UPC Code: 07847743514



SPECIFICATION SUBMITTAL

JOB NAME:	CATALOG NUMBERS:	
<input type="text"/>	<input type="text"/>	<input type="text"/>
JOB NUMBER:	<input type="text"/>	<input type="text"/>

Leviton Manufacturing Co., Inc.

201 North Service Road, Melville, NY 11747

Teléfono: +1-800-323-8920 · FAX: +1-800-832-9538 · Tech Line (8:30AM-7:30PM E.S.T. Monday-Friday): +1-800-824-3005

Leviton Manufacturing of Canada, Ltd.

165 Hymus Boulevard, Pointe Claire, Quebec H9R 1E9 · Telephone: +1-800-469-7890 ·

FAX: +1-800-824-3005 · www.leviton.com/canada

Leviton S. de R.L. de C.V.

Lago Tana 43, Mexico DF, Mexico CP 11290 · Tel.: (+52)55-5082-1040 · FAX: (+52)5386-

1797 · www.leviton.com.mx

Visit our Website at: www.leviton.com

© 2018 Leviton Manufacturing Co., Inc. Todos los derechos reservados. Subject to change without notice.

Leviton has a global presence.

If you would like to know where your local Leviton office is located please go to:

www.leviton.com/international/contacts/

