



**Color:** White

**UPC Code:** 07847705719

**Country Of Origin:** Mexico

**NEMA:**  
5-20R



## 8300-SGW

### Item Description

Duplex Receptacle Outlet, Extra Heavy-Duty Hospital Grade, Tamper-Resistant, Smooth Face, 20 Amp, 125 Volt, Back or Side Wire, NEMA 5-20R, 2-Pole, 3-Wire, Self-Grounding - White

### Technical Information

#### AC Horsepower Ratings

**Horsepower Rating:** 1 HP

#### Electrical Specifications

**Amperage:** 20 Amp

**Current Limiting:** Full Rated Current

**Dielectric Voltage:** Withstands 2000V per UL498

**Grounding:** Self-Grounding

**Pole:** 2-Pole

**Temperature Rise:** Max 30C after 250 cycles OL at 200 percent rated current

**Voltage:** 125 Volt

**Wire:** 3-Wire

#### Environmental Specifications

**Flammability:** Rated V-2 per UL94

**Operating Temperature:** -40C to 60C

#### Material Specifications

**Body Material:** Nylon

**Clamp Nuts:** Nickel-Plated Brass

**Face Material:** Nylon

**Ground Clips:** Nickel-Plated Brass

**Grounding Screw:** Nickel-Plated Brass 8-32

**Line Contacts:** Nickel-Plated Brass Triple-Wipe .031 Thick

**Terminal Screws:** Nickel-Plated Brass 10-32

**Yoke:** Nickel-Plated Brass

#### Mechanical Specifications

**Product ID:** Ratings are permanently marked on device

**Terminal Accom.:** 14-10 AWG

**Terminal ID:** Brass-Hot, Green-Ground, White-Neutral

**Termination:** Back or Side Wire

#### Product Features

**Color:** White

**Device Type:** Duplex Receptacle Outlet

**Feature 2:** Tamper-Resistant

**Feature 4:** Smooth Face

**Grade:** Extra Heavy-Duty Hospital Grade

**NEMA:** 5-20R

#### Standards and Certifications

**ANSI:** C-73

**CSA C22.2 No. 42:** File 152105

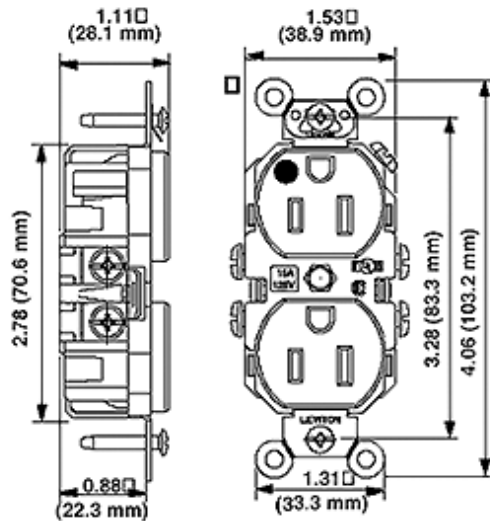
**NEMA:** WD-1 & WD-6

**NOM:** 057

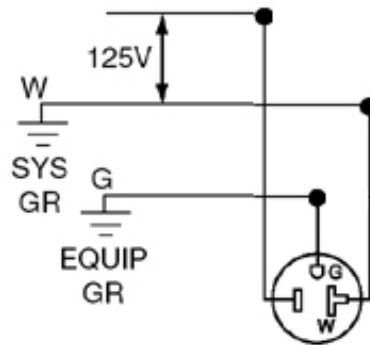
**RoHS:** Compliant

**UL498HG:** File E13399

**UL Fed Spec WC-596:** File E13399



**Wiring Diagram**



**5-20R**

**SPECIFICATION SUBMITTAL**

JOB NAME:	CATALOG NUMBERS:	
<input type="text"/>	<input type="text"/>	<input type="text"/>
JOB NUMBER:	<input type="text"/>	<input type="text"/>

**Leviton Manufacturing Co., Inc.**

201 North Service Road, Melville, NY 11747

Teléfono: +1-800-323-8920 · FAX: +1-800-832-9538 · Tech Line (8:30AM-7:30PM E.S.T. Monday-Friday): +1-800-824-3005

**Leviton Manufacturing of Canada, Ltd.**

165 Hymus Boulevard, Pointe Claire, Quebec H9R 1E9 · Telephone: +1-800-469-7890 ·

FAX: +1-800-824-3005 · [www.leviton.com/canada](http://www.leviton.com/canada)

**Leviton S. de R.L. de C.V.**

Lago Tana 43, Mexico DF, Mexico CP 11290 · Tel.: (+52)55-5082-1040 · FAX: (+52)5386-

1797 · [www.leviton.com.mx](http://www.leviton.com.mx)

Visit our Website at: [www.leviton.com](http://www.leviton.com)

© 2018 Leviton Manufacturing Co., Inc. Todos los derechos reservados. Subject to change without notice.

**Leviton has a global presence.**

If you would like to know where your local Leviton office is located please go to:

[www.leviton.com/international/contacts/](http://www.leviton.com/international/contacts/)

