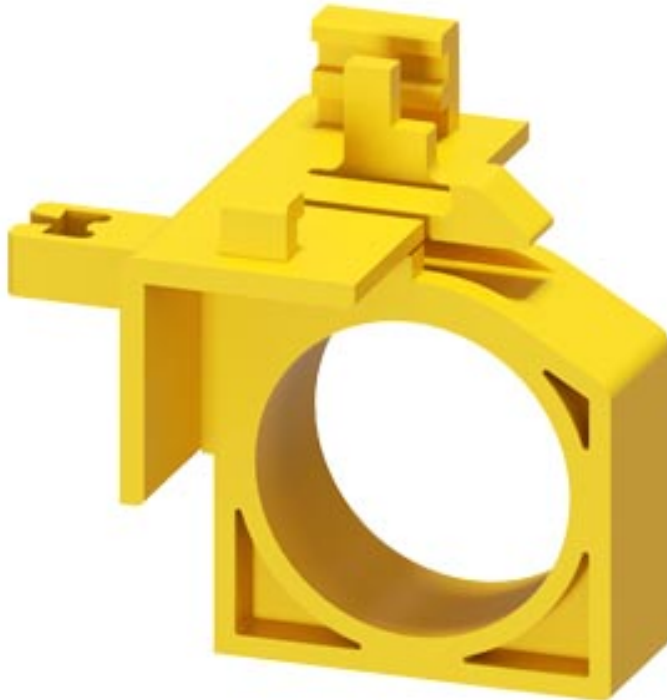


Control kit



General technical data:		
Product brand name		SIRIUS
Product designation		control kit
Protection class IP		IP20
Relative humidity during operation	%	10 ... 90
Ambient temperature		
• during transport	°C	-55 ... +80
• during storage	°C	-55 ... +80
• during operation	°C	-20 ... +60
Reference identifier acc. to DIN EN 61346-2		K
Reference identifier acc. to DIN 40719 extended according to IEC 204-2 acc. to IEC 750		K
Installation/ mounting/ dimensions:		
Width	mm	44.8
Height	mm	40
Depth	mm	23.4
Certificates/ approvals:		
Certificate of suitability		IEC / EN 60947-6-2

General Product Approval	EMC	Declaration of Conformity	other
--------------------------	-----	---------------------------	-------



[Confirmation](#)

Further information

Information- and Downloadcenter (Catalogs, Brochures,...)

<http://www.siemens.com/industrial-controls/catalogs>

Industry Mall (Online ordering system)

<http://www.siemens.com/industrymall>

Cax online generator

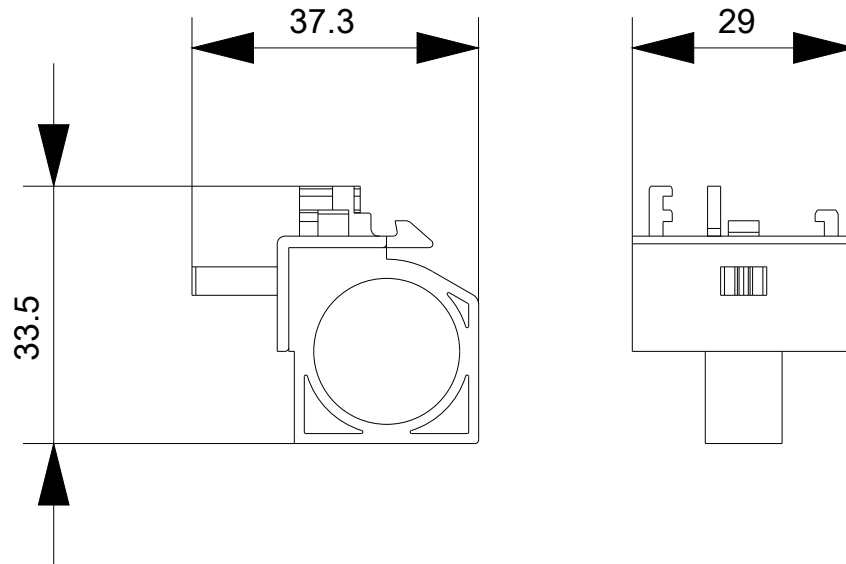
<http://support.automation.siemens.com/WW/CAXorder/default.aspx?lang=en&mlfb=3RA6950-0A>

Service&Support (Manuals, Certificates, Characteristics, FAQs,...)

<https://support.industry.siemens.com/cs/ww/en/ps/3RA6950-0A>

Image database (product images, 2D dimension drawings, 3D models, device circuit diagrams, EPLAN macros, ...)

http://www.automation.siemens.com/bilddb/cax_de.aspx?mlfb=3RA6950-0A&lang=en



last modified:

04/27/2018