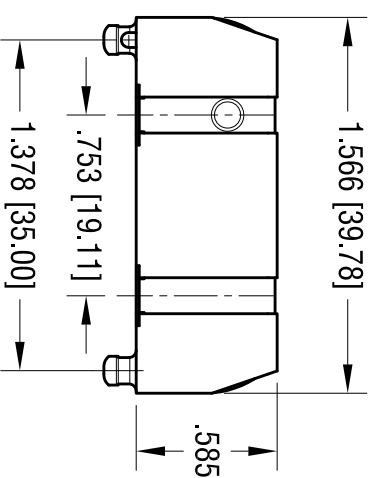
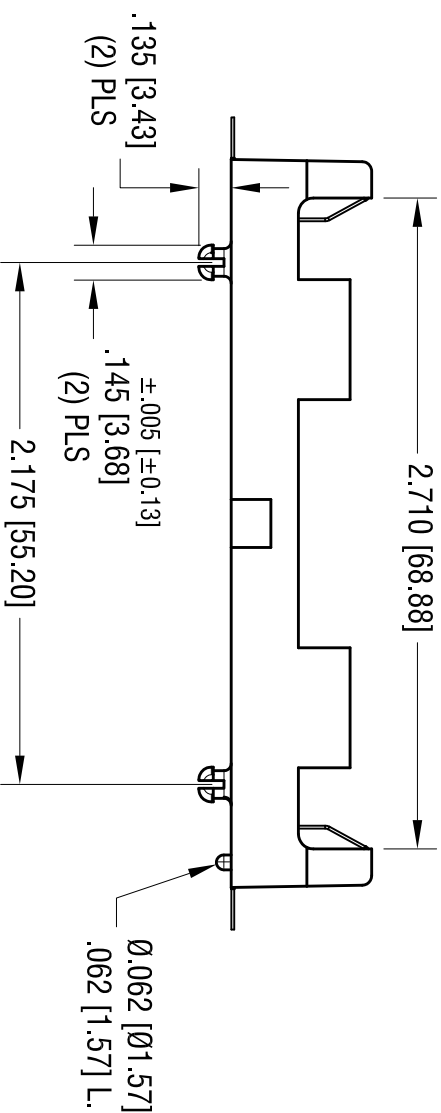
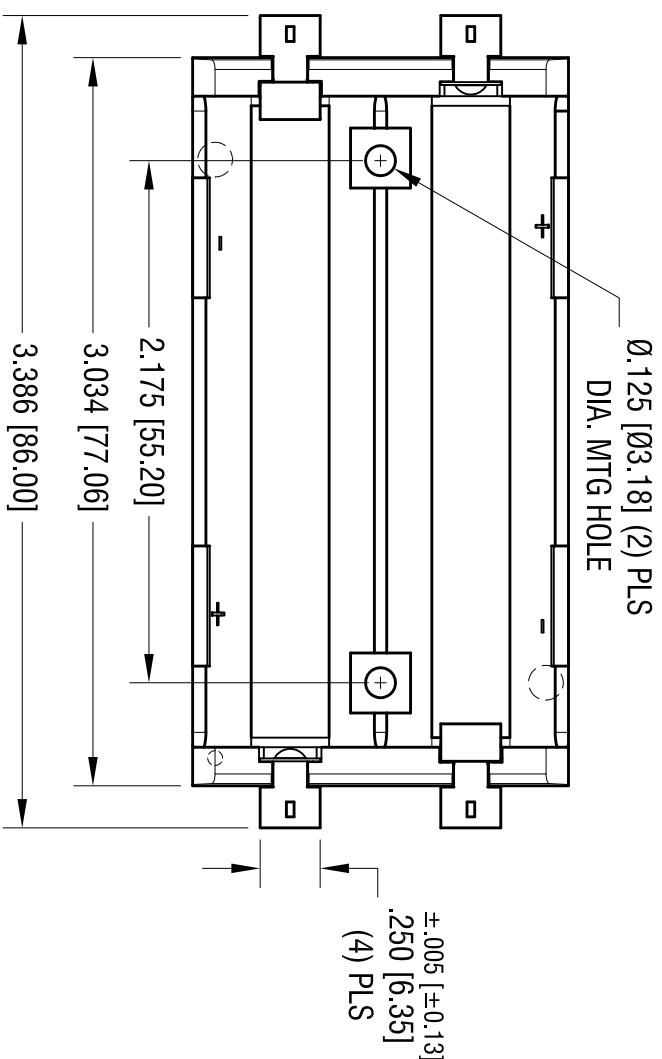
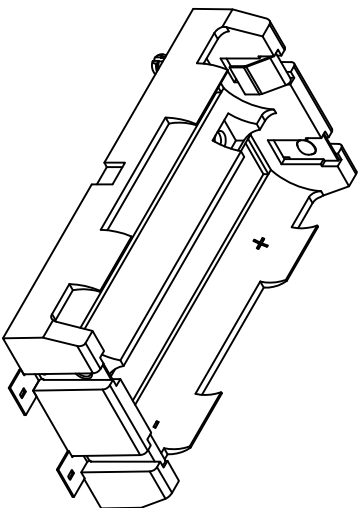
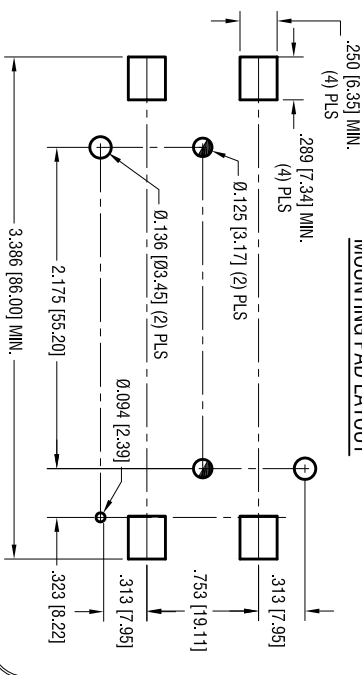


**MOUNTING PAD LAYOUT**



**KEYSTONE ELECTRONICS CORP.**

www.keystone.com • ASTORIA, N.Y. 11105-2017 • Tel (718) 956-8900

PART NAME

DUAL SM POLARIZED HOLDER

MATERIAL

AS NOTED

FINISH

AS NOTED

DRN BY NT DATE 7.12.13

App'D LN SCALE 1.25X

MAT'L: .012 [0.30] THK STAINLESS STEEL

FINISH: GOLD FLASH, OVER NICKEL PLATE

- NOTE:  
 1. BASE:  
 MAT'L: HEAT RESISTANCE NYLON  
 STANLYL 46 OR EQUIVALENT  
 2. CONTACT:

THIS DOCUMENT IS THE PROPERTY OF  
 KEYSTONE ELECTRONICS CORP. AND  
 SHALL NOT BE REPRODUCED, DISTRIBUTED  
 OR USED AS A BASIS FOR MANUFACTURE  
 WITHOUT PRIOR WRITTEN PERMISSION  
 FROM KEYSTONE ELECTRONICS CORP.

DATE

10.08.13

DESCRIPTION

CHANGE AS PER ECN 13-091

REV.

A

TOLERANCES INCH [MM]

DECIMAL ± .010 [± 0.25]

ANGULAR ± 1°

UNLESS OTHERWISE SPECIFIED

CODE

C

DWG NO.

1048P