

Safety position switch with separate actuator Molded-plastic enclosure lateral and face-end Slow-action contacts 1 NO+2 NC, 3 x (M20 x 1.5) with automatic ejection Supplied without actuator



Figure similar

<b>Product designation</b>	safety position switch
Suitability for use safety switch	Yes

### General technical data

<b>Insulation voltage</b>	
• rated value	500 V
<b>Surge voltage resistance rated value</b>	6 kV
<b>Protection class IP</b>	IP67
<b>Mechanical service life (switching cycles)</b>	
• typical	1 000 000
<b>Thermal current</b>	6 A
<b>Active principle</b>	mechanical
<b>Length of the sensor</b>	90 mm
<b>Width of the sensor</b>	52 mm
<b>Design of the switching contact</b>	mechanical
<b>Operating frequency rated value</b>	60 ... 50 Hz
<b>Number of NC contacts for auxiliary contacts</b>	2
<b>Number of NO contacts for auxiliary contacts</b>	1

<b>Number of CO contacts for auxiliary contacts</b>	0
<b>Operating current at AC-15</b>	
• at 230 V rated value	4 A
<b>Operating current at DC-13</b>	
• at 24 V rated value	4 A
Design of the interface for safety-related communication	without

#### Enclosure

<b>Design of the housing</b>	wide
<b>Material of the enclosure</b>	glass fiber reinforced thermoplast
<b>Coating of the enclosure</b>	Other types
<b>Design of the housing acc. to standard</b>	No

#### Drive Head

<b>Design of the operating mechanism</b>	without
<b>Design of the switching function</b>	positive opening
<b>Circuit principle</b>	slow-action contacts
Number of switching contacts safety-related	1

#### Connections/Terminals

<b>Type of electrical connection</b>	screw-type terminals
<b>Type of connectable conductor cross-sections</b>	
• solid	2x (0.75 ... 2.5 mm <sup>2</sup> )
• finely stranded with core end processing	2x (0.75 ... 2.5 mm <sup>2</sup> )

#### Mechanical data

<b>Cable entry type</b>	3 x (M16 x 1,5)
-------------------------	-----------------

#### Communication/ Protocol

<b>Design of the interface</b>	without
--------------------------------	---------

#### Ambient conditions




<b>Ambient temperature</b>	
• during operation	-30 ... +80 °C
• during storage	-30 ... +80 °C
<b>Explosion protection category for dust</b>	none

#### Installation/ mounting/ dimensions

<b>Mounting position</b>	any
<b>Mounting type</b>	screw fixing

#### Certificates/approvals

General Product Approval			Declaration of Conformity	Marine / Shipping	
 CCC	 CSA	 UL	 EAC	 EG-Konf.	 ABS

Marine / Shipping	other
 LRS	 PRS
 RINA	<a href="#">Confirmation</a> <a href="#">Miscellaneous</a>

### Further information

**Information- and Downloadcenter (Catalogs, Brochures,...)**

<http://www.siemens.com/industrial-controls/catalogs>

**Industry Mall (Online ordering system)**

<https://mall.industry.siemens.com/mall/en/en/Catalog/product?mlfb=3SE2243-0XX30>

**Cax online generator**

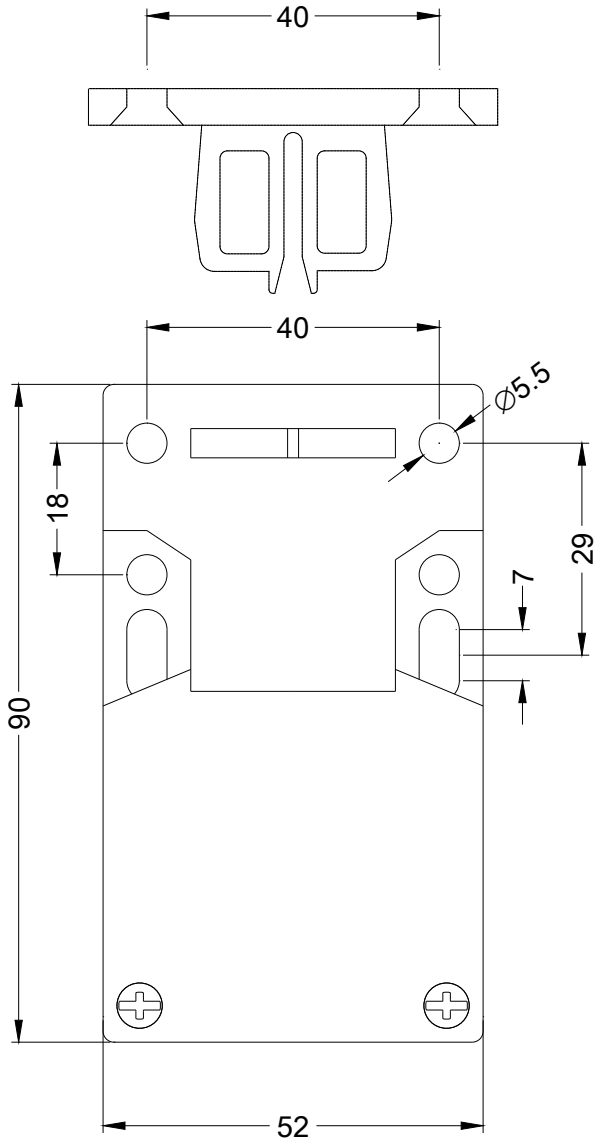
<http://support.automation.siemens.com/WW/CAXorder/default.aspx?lang=en&mlfb=3SE2243-0XX30>

**Service&Support (Manuals, Certificates, Characteristics, FAQs,...)**

<https://support.industry.siemens.com/cs/ww/en/ps/3SE2243-0XX30>

**Image database (product images, 2D dimension drawings, 3D models, device circuit diagrams, EPLAN macros, ...)**

[http://www.automation.siemens.com/bilddb/cax\\_de.aspx?mlfb=3SE2243-0XX30&lang=en](http://www.automation.siemens.com/bilddb/cax_de.aspx?mlfb=3SE2243-0XX30&lang=en)



last modified:

04/29/2018

