

1. ALL DIMENSIONS FOR REFERENCE ONLY
2. ALL CONNECTORS MADE FROM LOW CARBON STEEL WITH ZINC PLATING.
3. INSULATED ITEMS TO HAVE FULL THROAT NYLON LINER GLUED IN PLACE. LINER TO BE T&B BLUE
4. CONNECTORS FURNISHED WITH FULL PERIMETER END STOP
5. CONNECTORS FURNISHED WITH MINIMUM 6 EAR HEAVY CONDUIT LOCKNUT.

5621	2" NONINSULATED EMT CONNECTOR	2.312"	2.857"
5521-TB	1-1/2" NONINSULATED EMT CONNECTOR	2.187"	2.397"
5421	1-1/4" NONINSULATED EMT CONNECTOR	2.062"	2.127"
5321	1" NONINSULATED EMT CONNECTOR	1.652"	1.645"
5221	3/4" NONINSULATED EMT CONNECTOR	1.425"	1.305"
5121-TB	1/2" NONINSULATED EMT CONNECTOR	1.425"	1.097"
5623	2" INSULATED EMT CONNECTOR	2.312"	2.857"
5523	1-1/2" INSULATED EMT CONNECTOR	2.187"	2.397"
5423	1-1/4" INSULATED EMT CONNECTOR	2.062"	2.127"
5323	1" INSULATED EMT CONNECTOR	1.652"	1.645"
5223	3/4" INSULATED EMT CONNECTOR	1.425"	1.305"
5123	1/2" INSULATED EMT CONNECTOR	1.425"	1.097"
CAT #	DESCRIPTION	DIM A	DIM B

GENERAL NOTES

1. DIMENSIONS IN PARENTHESES () ARE IN METRIC UNITS.

REVISIONS

- SEE ERN (....) FOR APPROVAL SIGNATURES

PROJECT NO:

Thomas & Betts
www.tnb.com

DESCRIPTION:

**THOMAS & BETTS EMT
CONNECTORS AND COUPLINGS**

ORIGINAL PROJECT NO / (ERN NO)

RD55279 / (2002923)

SHEET NO:

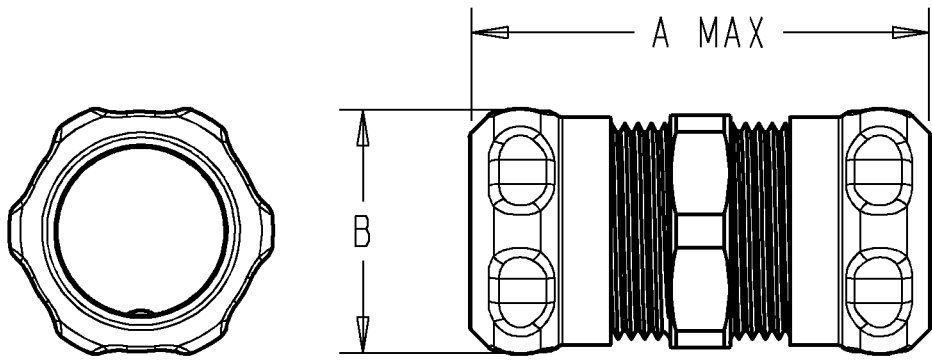
1 OF 2

REV. NO:

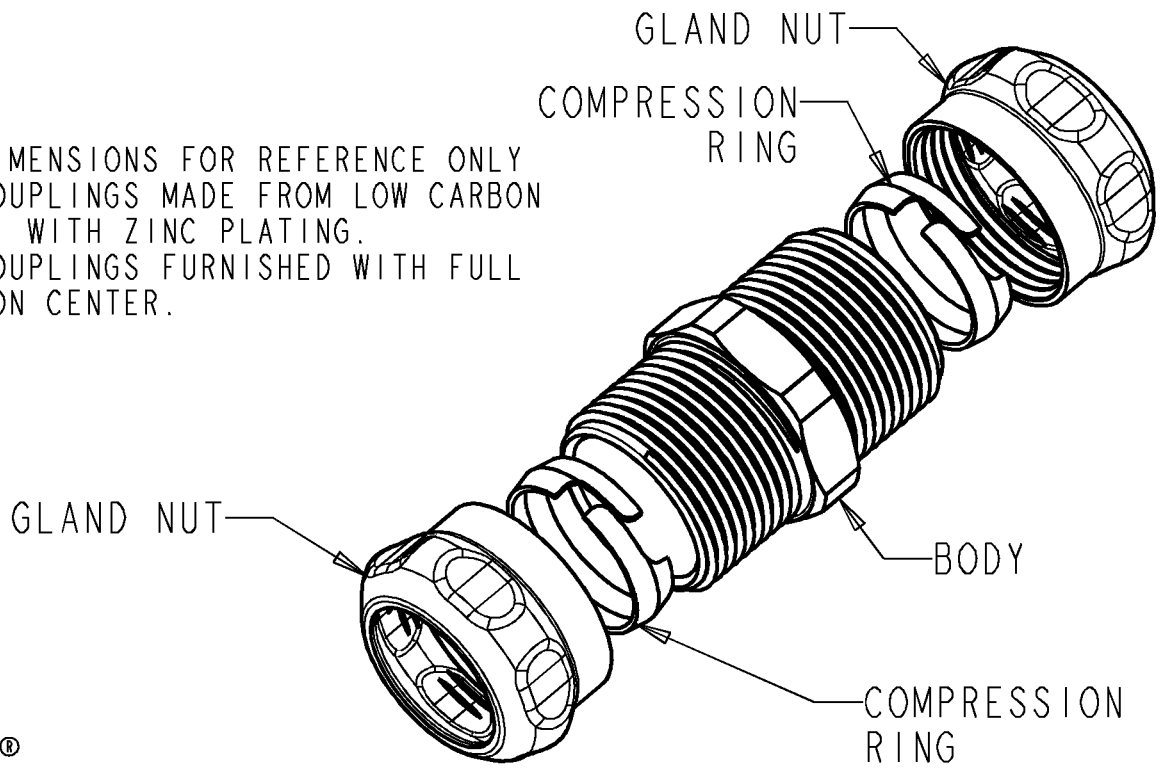
-

DRAWING NO:

WSD-000051



1. ALL DIMENSIONS FOR REFERENCE ONLY
2. ALL COUPLINGS MADE FROM LOW CARBON STEEL WITH ZINC PLATING.
3. ALL COUPLINGS FURNISHED WITH FULL HEXAGON CENTER.



5620	2" EMT COUPLING	2.750"	2.857"
5520	1-1/2" EMT COUPLING	2.500"	2.397"
5420	1-1/4" EMT COUPLING	2.374"	2.127"
5320	1" EMT COUPLING	1.934"	1.645"
5220	3/4" EMT COUPLING	1.660"	1.305"
5120	1/2" EMT COUPLING	1.660"	1.097"
CAT #	DESCRIPTION	DIM A	DIM B

GENERAL NOTES	
1.	DIMENSIONS IN PARENTHESES () ARE IN METRIC UNITS.
REVISIONS	
-	SEE ERN (....) FOR APPROVAL SIGNATURES
PROJECT NO:	

Thomas & Betts
www.tnb.com

DESCRIPTION: **THOMAS & BETTS EMT CONNECTORS AND COUPLINGS**

ORIGINAL PROJECT NO / (ERN NO)	SHEET NO:	REV. NO:	DRAWING NO:
RD55279 / (2002923)	2 OF 2	-	WSD-000051