

power contactor, AC-3 9 A, 4 kW / 400 V 1 NO + 1 NC, 110 V AC, 50 Hz 120 V, 60 Hz, 3-pole Size S0, screw terminal



Product brand name	SIRIUS
Product designation	Power contactor
Product type designation	3RT2

General technical data	
Size of contactor	S0
Product extension	
<ul style="list-style-type: none"> function module for communication 	No
<ul style="list-style-type: none"> Auxiliary switch 	Yes
Surge voltage resistance	
<ul style="list-style-type: none"> of main circuit rated value 	6 kV
<ul style="list-style-type: none"> of auxiliary circuit rated value 	6 kV
maximum permissible voltage for safe isolation	
<ul style="list-style-type: none"> between coil and main contacts acc. to EN 60947-1 	400 V
Protection class IP	
<ul style="list-style-type: none"> on the front 	IP20
<ul style="list-style-type: none"> of the terminal 	IP20
Shock resistance at rectangular impulse	
<ul style="list-style-type: none"> at AC 	7,5g / 5 ms, 4,7g / 10 ms

Shock resistance with sine pulse	
<ul style="list-style-type: none"> • at AC 	11,8g / 5 ms, 7,4g / 10 ms
Mechanical service life (switching cycles)	
<ul style="list-style-type: none"> • of contactor typical 	10 000 000
<ul style="list-style-type: none"> • of the contactor with added electronics-compatible auxiliary switch block typical 	5 000 000
<ul style="list-style-type: none"> • of the contactor with added auxiliary switch block typical 	10 000 000
Reference code acc. to DIN 40719 extended according to IEC 204-2 acc. to IEC 750	K
Reference code acc. to DIN EN 61346-2	Q

Ambient conditions

Installation altitude at height above sea level	
<ul style="list-style-type: none"> • maximum 	2 000 m
Ambient temperature	
<ul style="list-style-type: none"> • during operation 	-25 ... +60 °C
<ul style="list-style-type: none"> • during storage 	-55 ... +80 °C

Main circuit

Number of poles for main current circuit	3
Number of NO contacts for main contacts	3
Operating voltage	
<ul style="list-style-type: none"> • at AC-3 rated value maximum 	690 V
Operating current	
<ul style="list-style-type: none"> • at AC-1 at 400 V <ul style="list-style-type: none"> — at ambient temperature 40 °C rated value 	40 A
<ul style="list-style-type: none"> • at AC-1 <ul style="list-style-type: none"> — up to 690 V at ambient temperature 40 °C rated value 	40 A
<ul style="list-style-type: none"> — up to 690 V at ambient temperature 60 °C rated value 	35 A
<ul style="list-style-type: none"> • at AC-2 at 400 V rated value 	9 A
<ul style="list-style-type: none"> • at AC-3 <ul style="list-style-type: none"> — at 400 V rated value 	9 A
<ul style="list-style-type: none"> — at 500 V rated value 	9 A
<ul style="list-style-type: none"> — at 690 V rated value 	9 A
Connectable conductor cross-section in main circuit at AC-1	
<ul style="list-style-type: none"> • at 60 °C minimum permissible 	10 mm ²
<ul style="list-style-type: none"> • at 40 °C minimum permissible 	10 mm ²
Operating current for approx. 200000 operating cycles at AC-4	
<ul style="list-style-type: none"> • at 400 V rated value 	4.1 A

<ul style="list-style-type: none"> • at 690 V rated value 	3.3 A
Operating current	
<ul style="list-style-type: none"> • at 1 current path at DC-1 <ul style="list-style-type: none"> — at 24 V rated value — at 110 V rated value — at 220 V rated value — at 440 V rated value — at 600 V rated value • with 2 current paths in series at DC-1 <ul style="list-style-type: none"> — at 24 V rated value — at 110 V rated value — at 220 V rated value — at 440 V rated value — at 600 V rated value • with 3 current paths in series at DC-1 <ul style="list-style-type: none"> — at 24 V rated value — at 110 V rated value — at 220 V rated value — at 440 V rated value — at 600 V rated value 	35 A 4.5 A 1 A 0.4 A 0.25 A 35 A 35 A 5 A 1 A 0.8 A 35 A 35 A 35 A 2.9 A 1.4 A
Operating current	
<ul style="list-style-type: none"> • at 1 current path at DC-3 at DC-5 <ul style="list-style-type: none"> — at 24 V rated value — at 110 V rated value — at 220 V rated value — at 440 V rated value — at 600 V rated value • with 2 current paths in series at DC-3 at DC-5 <ul style="list-style-type: none"> — at 24 V rated value — at 110 V rated value — at 220 V rated value — at 440 V rated value — at 600 V rated value • with 3 current paths in series at DC-3 at DC-5 <ul style="list-style-type: none"> — at 24 V rated value — at 110 V rated value — at 220 V rated value — at 440 V rated value — at 600 V rated value 	20 A 2.5 A 1 A 0.09 A 0.06 A 35 A 15 A 3 A 0.27 A 0.16 A 35 A 35 A 10 A 0.6 A 0.6 A
Operating power	
<ul style="list-style-type: none"> • at AC-1 	

— at 230 V rated value	13.3 kW
— at 230 V at 60 °C rated value	13.3 kW
— at 400 V rated value	23 kW
— at 400 V at 60 °C rated value	23 kW
— at 690 V rated value	40 kW
— at 690 V at 60 °C rated value	40 kW
• at AC-2 at 400 V rated value	4 kW
• at AC-3	
— at 230 V rated value	2.2 kW
— at 400 V rated value	4 kW
— at 690 V rated value	7.5 kW
Operating power for approx. 200000 operating cycles at AC-4	
• at 400 V rated value	2 kW
• at 690 V rated value	2.5 kW
Thermal short-time current limited to 10 s	80 A
Power loss [W] at AC-3 at 400 V for rated value of the operating current per conductor	0.4 W
No-load switching frequency	
• at AC	5 000 1/h
Operating frequency	
• at AC-1 maximum	1 000 1/h
• at AC-2 maximum	1 000 1/h
• at AC-3 maximum	1 000 1/h
• at AC-4 maximum	300 1/h
Control circuit/ Control	
Type of voltage of the control supply voltage	AC
Control supply voltage at AC	
• at 50 Hz rated value	110 V
• at 60 Hz rated value	120 V
Operating range factor control supply voltage rated value of magnet coil at AC	
• at 50 Hz	0.8 ... 1.1
• at 60 Hz	0.8 ... 1.1
Apparent pick-up power of magnet coil at AC	
• at 50 Hz	68 V·A
• at 60 Hz	67 V·A
Inductive power factor with closing power of the coil	
• at 50 Hz	0.72
• at 60 Hz	0.74
Apparent holding power of magnet coil at AC	
• at 50 Hz	7.9 V·A

• at 60 Hz	6.5 V·A
Inductive power factor with the holding power of the coil	
• at 50 Hz	0.25
• at 60 Hz	0.28
Closing delay	
• at AC	9 ... 38 ms
Opening delay	
• at AC	4 ... 16 ms
Arcing time	10 ... 10 ms
Control version of the switch operating mechanism	Standard A1 - A2

Auxiliary circuit	
Number of NC contacts	
• for auxiliary contacts	
— instantaneous contact	1
Number of NO contacts	
• for auxiliary contacts	
— instantaneous contact	1
Operating current at AC-12 maximum	10 A
Operating current at AC-15	
• at 230 V rated value	10 A
• at 400 V rated value	3 A
• at 500 V rated value	2 A
• at 690 V rated value	1 A
Operating current at DC-12	
• at 24 V rated value	10 A
• at 48 V rated value	6 A
• at 60 V rated value	6 A
• at 110 V rated value	3 A
• at 125 V rated value	2 A
• at 220 V rated value	1 A
• at 600 V rated value	0.15 A
Operating current at DC-13	
• at 24 V rated value	10 A
• at 48 V rated value	2 A
• at 60 V rated value	2 A
• at 110 V rated value	1 A
• at 125 V rated value	0.9 A
• at 220 V rated value	0.3 A
• at 600 V rated value	0.1 A
Contact reliability of auxiliary contacts	1 faulty switching per 100 million (17 V, 1 mA)

UL/CSA ratings

Full-load current (FLA) for three-phase AC motor <ul style="list-style-type: none">• at 480 V rated value• at 600 V rated value	7.6 A 9 A
Yielded mechanical performance [hp] <ul style="list-style-type: none">• for single-phase AC motor<ul style="list-style-type: none">— at 110/120 V rated value— at 230 V rated value• for three-phase AC motor<ul style="list-style-type: none">— at 200/208 V rated value— at 220/230 V rated value— at 460/480 V rated value— at 575/600 V rated value	1 hp 1 hp 2 hp 3 hp 5 hp 7.5 hp
Contact rating of auxiliary contacts according to UL	A600 / Q600

Short-circuit protection

Design of the fuse link <ul style="list-style-type: none">• for short-circuit protection of the main circuit<ul style="list-style-type: none">— with type of coordination 1 required— with type of assignment 2 required• for short-circuit protection of the auxiliary switch required	gG: 63A (690V,100kA), aM: 32A (690V,100kA), BS88: 63A (415V,80kA) gG: 25A (690V,100kA), aM: 20A (690V,100kA), BS88: 25A (415V,80kA) fuse gG: 10 A
--	---

Installation/ mounting/ dimensions

Mounting position	+/-180° rotation possible on vertical mounting surface; can be tilted forward and backward by +/- 22.5° on vertical mounting surface
Mounting type <ul style="list-style-type: none">• Side-by-side mounting	screw and snap-on mounting onto 35 mm standard mounting rail according to DIN EN 60715 Yes
Height	85 mm
Width	45 mm
Depth	97 mm
Required spacing <ul style="list-style-type: none">• for grounded parts<ul style="list-style-type: none">— at the side• for live parts<ul style="list-style-type: none">— at the side	6 mm 6 mm

Connections/Terminals

Type of electrical connection <ul style="list-style-type: none">• for main current circuit• for auxiliary and control current circuit	screw-type terminals screw-type terminals
---	--

Type of connectable conductor cross-sections <ul style="list-style-type: none"> • for main contacts <ul style="list-style-type: none"> — solid — single or multi-stranded — finely stranded with core end processing • at AWG conductors for main contacts 	2x (1 ... 2.5 mm ²), 2x (2.5 ... 10 mm ²) 2x (1 ... 2,5 mm ²), 2x (2,5 ... 10 mm ²) 2x (1 ... 2.5 mm ²), 2x (2.5 ... 6 mm ²), 1x 10 mm ² 2x (16 ... 12), 2x (14 ... 8)
Connectable conductor cross-section for main contacts <ul style="list-style-type: none"> • solid • stranded 	1 ... 10 mm ² 1 ... 10 mm ²
Type of connectable conductor cross-sections <ul style="list-style-type: none"> • for auxiliary contacts <ul style="list-style-type: none"> — single or multi-stranded — finely stranded with core end processing • at AWG conductors for auxiliary contacts 	2x (0,5 ... 1,5 mm ²), 2x (0,75 ... 2,5 mm ²) 2x (0.5 ... 1.5 mm ²), 2x (0.75 ... 2.5 mm ²) 2x (20 ... 16), 2x (18 ... 14)

Safety related data

B10 value <ul style="list-style-type: none"> • with high demand rate acc. to SN 31920 	1 000 000
Proportion of dangerous failures <ul style="list-style-type: none"> • with low demand rate acc. to SN 31920 • with high demand rate acc. to SN 31920 	40 % 73 %
Failure rate [FIT] <ul style="list-style-type: none"> • with low demand rate acc. to SN 31920 	100 FIT
Product function <ul style="list-style-type: none"> • Mirror contact acc. to IEC 60947-4-1 	Yes
T1 value for proof test interval or service life acc. to IEC 61508	20 y
Protection against electrical shock	finger-safe

Certificates/approvals

General Product Approval	EMC
--------------------------	-----



[KC](#)



Functional Safety/Safety of Machinery	Declaration of Conformity	Test Certificates	Marine / Shipping
---------------------------------------	---------------------------	-------------------	-------------------

[Type Examination](#)



[Type Test Certificates/Test Report](#)

[Special Test Certificate](#)



Marine / Shipping



other

[Confirmation](#)



Further information

Information- and Downloadcenter (Catalogs, Brochures,...)

<http://www.siemens.com/industrial-controls/catalogs>

Industry Mall (Online ordering system)

<https://mall.industry.siemens.com/mall/en/en/Catalog/product?mlfb=3RT2023-1AK60>

Cax online generator

<http://support.automation.siemens.com/WW/CAXorder/default.aspx?lang=en&mlfb=3RT2023-1AK60>

Service&Support (Manuals, Certificates, Characteristics, FAQs,...)

<https://support.industry.siemens.com/cs/ww/en/ps/3RT2023-1AK60>

Image database (product images, 2D dimension drawings, 3D models, device circuit diagrams, EPLAN macros, ...)

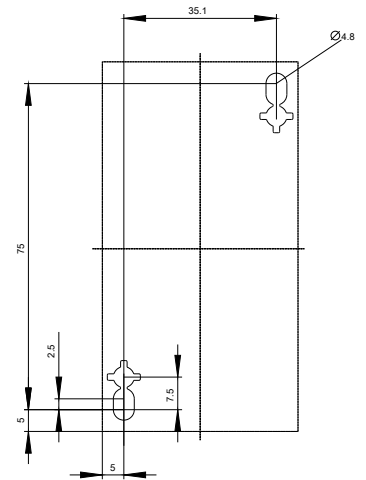
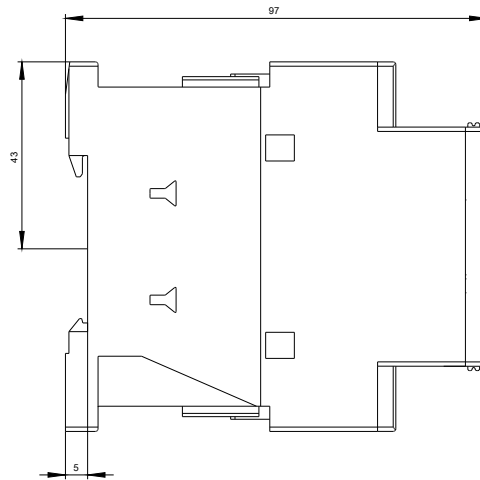
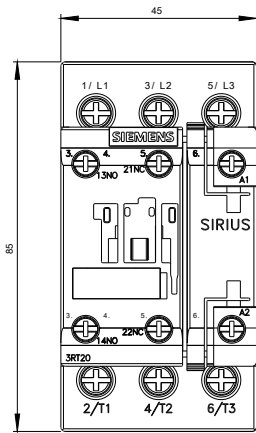
http://www.automation.siemens.com/bilddb/cax_de.aspx?mlfb=3RT2023-1AK60&lang=en

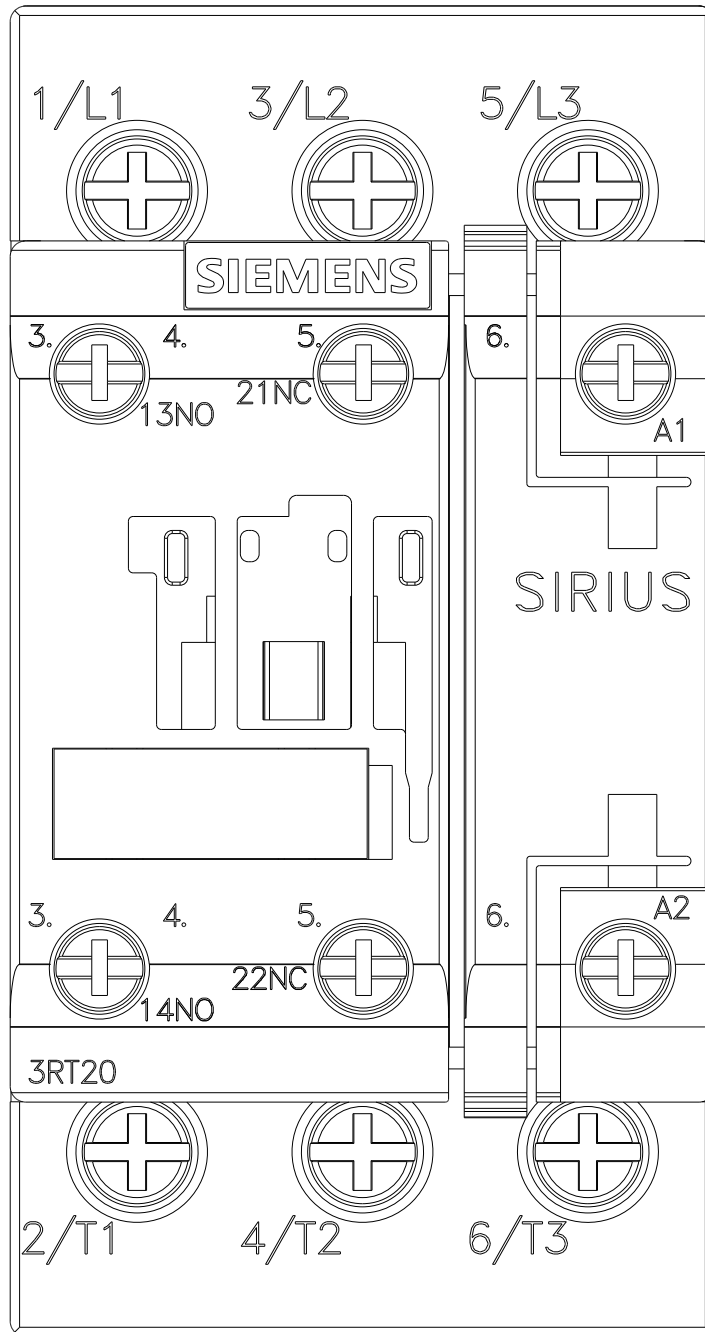
Characteristic: Tripping characteristics, I²t, Let-through current

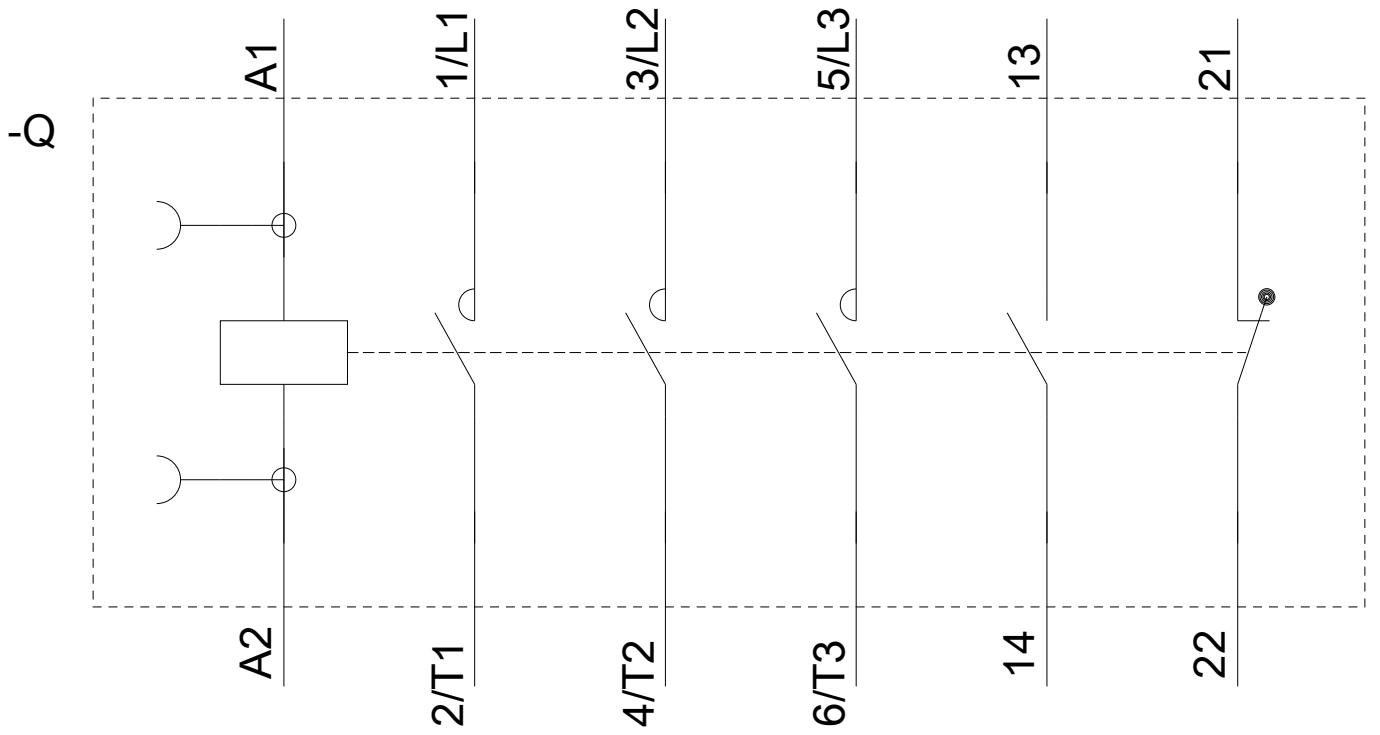
<https://support.industry.siemens.com/cs/ww/en/ps/3RT2023-1AK60/char>

Further characteristics (e.g. electrical endurance, switching frequency)

<http://www.automation.siemens.com/bilddb/index.aspx?view=Search&mlfb=3RT2023-1AK60&objecttype=14&gridview=view1>







last modified:

05/14/2018