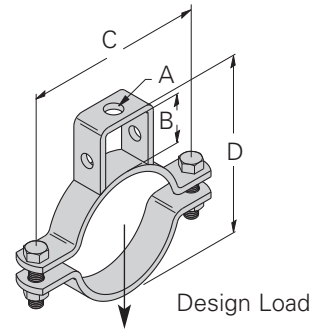


# Pipe Hangers

**Fig. 4B Series (Formerly B386 Series)  
Suspension Rod Pipe Strap**

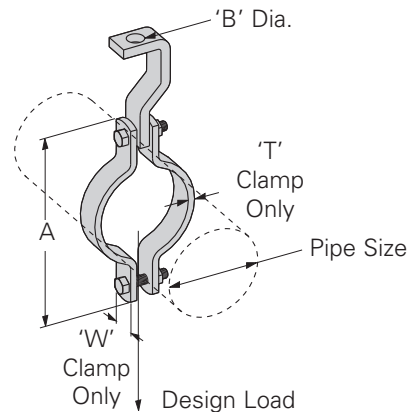
- Safety Factor of 3
- Includes Hex Head Cap Screws and Hex Nuts
- Standard finishes: ZN, GRN



Part No.	Pipe Size		Rod Size		B		C		D		Bolt Size	Design Load		Wt./C	
	in.	mm	A		in.	mm	in.	mm	in.	mm		Lbs.	kN	Lbs.	kg
<b>4B-3/4</b>	3/4"	(20)	3/8"-16		1"	(25.4)	27/8"	(73.0)	25/8"	(66.7)	5/16"-18	330	(1.47)	56	(3.6)
<b>4B-1</b>	1"	(25)	3/8"-16		1"	(25.4)	31/4"	(82.5)	215/16"	(74.6)	5/16"-18	330	(1.47)	60	(3.6)
<b>4B-11/4</b>	1 1/4"	(32)	3/8"-16		1"	(25.4)	39/16"	(90.6)	31/4"	(82.5)	5/16"-18	330	(1.47)	74	(4.5)
<b>4B-11/2</b>	1 1/2"	(40)	3/8"-16		1"	(25.4)	313/16"	(96.8)	37/16"	(87.3)	5/16"-18	330	(1.47)	79	(5.0)
<b>4B-2</b>	2"	(50)	3/8"-16		1 1/2"	(38.1)	51/8"	(130.2)	45/8"	(117.5)	5/16"-18	440	(1.78)	156	(5.0)
<b>4B-21/2</b>	2 1/2"	(65)	1/2"-13		1 3/4"	(44.4)	55/8"	(142.9)	53/8"	(136.5)	3/8"-16	440	(1.78)	176	(5.4)
<b>4B-3</b>	3"	(80)	1/2"-13		1 7/8"	(47.6)	63/4"	(171.4)	61/8"	(155.5)	3/8"-16	660	(2.93)	198	(6.3)
<b>4B-31/2</b>	3 1/2"	(90)	1/2"-13		2"	(50.8)	71/4"	(184.1)	63/4"	(171.4)	3/8"-16	660	(2.93)	219	(7.2)
<b>4B-4</b>	4"	(100)	5/8"-11		2"	(50.8)	85/8"	(219.1)	71/4"	(184.1)	2/2"-13	800	(3.56)	288	(8.1)
<b>4B-5</b>	5"	(125)	5/8"-11		2"	(50.8)	97/8"	(250.8)	85/16"	(211.1)	5/8"-11	980	(4.36)	390	(8.1)
<b>4B-6</b>	6"	(150)	3/4"-10		2 1/8"	(54.0)	1015/16"	(277.8)	91/2"	(241.3)	5/8"-11	980	(4.36)	448	(8.1)
<b>4B-8</b>	8"	(200)	7/8"-9		2 1/8"	(54.0)	137/16"	(341.2)	11 1/2"	(292.1)	3/4"-10	1200	(5.34)	691	(8.1)

**B394 Series  
Pipe Strap**

- Safety Factor of 3
- Includes:
  - 1 Pair Pipe Clamps with Hex Head Cap Screws and Hex Nuts
  - 1 Hanger Strap
- Standard finishes: ZN



Part No.	Pipe Size		A		B		T		W		Design Load		Wt./C	
	in.	mm	in.	mm	in.	mm	in.	mm	in.	mm	Lbs.	kN	Lbs.	kg
<b>B394-3/4</b>	3/4"	(20)	35/16"	(84.1)	7/16"	(11.1)	1/8"	(3.2)	1"	(25.4)	500	(2.22)	71	(32.2)
<b>B394-1</b>	1"	(25)	33/4"	(95.2)	7/16"	(11.1)	1/8"	(3.2)	1"	(25.4)	500	(2.22)	76	(34.5)
<b>B394-11/4</b>	1 1/4"	(32)	4"	(101.6)	7/16"	(11.1)	1/8"	(3.2)	1"	(25.4)	500	(2.22)	77	(34.9)
<b>B394-11/2</b>	1 1/2"	(40)	45/16"	(109.5)	7/16"	(11.1)	1/8"	(3.2)	1"	(25.4)	800	(3.56)	79	(35.8)
<b>B394-2</b>	2"	(50)	51/2"	(139.7)	7/16"	(11.1)	1/4"	(6.3)	1"	(25.4)	1040	(4.62)	166	(75.3)
<b>B394-21/2</b>	2 1/2"	(65)	63/8"	(161.9)	9/16"	(14.3)	1/4"	(6.3)	1"	(25.4)	1040	(4.62)	179	(81.2)
<b>B394-3</b>	3"	(80)	7"	(177.8)	9/16"	(14.3)	1/4"	(6.3)	1"	(25.4)	1040	(4.62)	190	(86.2)
<b>B394-31/2</b>	3 1/2"	(90)	79/16"	(192.1)	9/16"	(14.3)	1/4"	(6.3)	1"	(25.4)	1040	(4.62)	203	(92.1)
<b>B394-4</b>	4"	(100)	85/8"	(219.1)	11/16"	(17.4)	1/4"	(6.3)	1 1/4"	(31.7)	1040	(4.62)	320	(145.1)
<b>B394-5</b>	5"	(125)	93/4"	(247.6)	11/16"	(17.4)	1/4"	(6.3)	1 1/4"	(31.7)	1040	(4.62)	353	(160.1)
<b>B394-6</b>	6"	(150)	115/8"	(295.3)	13/16"	(20.6)	3/8"	(9.5)	1 1/2"	(38.1)	1615	(7.18)	637	(288.9)
<b>B394-8</b>	8"	(200)	137/8"	(352.4)	13/16"	(20.6)	3/8"	(9.5)	1 1/2"	(38.1)	1615	(7.18)	837	(379.6)