

## PGUSB485

### USB/RS485 Communication Interface Installation Guide



- Please read this installation guide before attempting installation.
- The content of this installation guide and the driver file may be revised without prior notice. Please consult our website for the latest version.

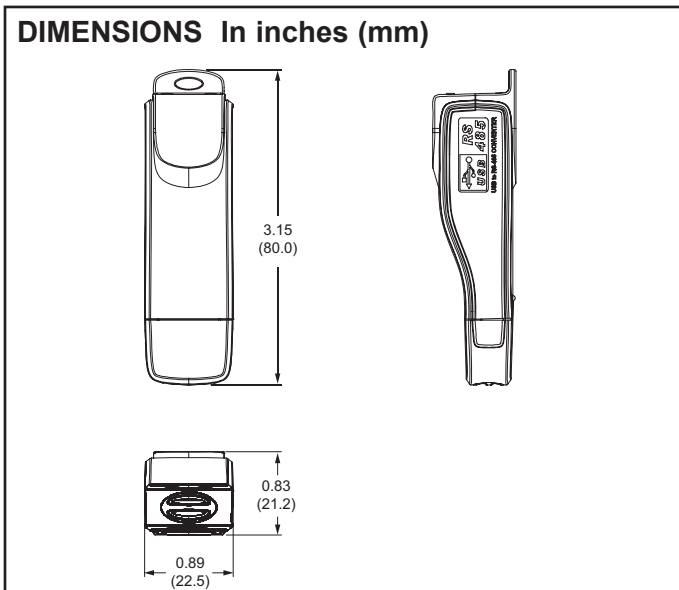
#### GENERAL DESCRIPTION

The PGUSB485 is a convenient RS485-to-USB converter, that does not require an external power-supply and does not involve a complex setup process. The converter supports RS-485 Half-Duplex transmission, with baud rates from 75 to 115.2 kbps, and auto switching direction of data transmission.

In addition, it adopts RS-485 in an RJ-45 connector and provides for convenient wiring by way of an RJ12 to pigtail cable. Tiny dimensions, handy use of plug-and-play and hot-swap capability help to provide a convenient USB to 485 conversion solution.

#### SPECIFICATIONS

- 1. POWER SUPPLY:** Power derived from USB. No external power is needed.
- 2. POWER CONSUMPTION:** 0.4 W
- 3. ISOLATION VOLTAGE:** 3000 VDC
- 4. BAUD RATE:** Supports 75, 150, 300, 600, 1200, 2400, 4800, 9600, 19200, 38400, 57600, 115200 bps
- 5. RS485 CONNECTOR:** RJ-45
- 6. USB CONNECTOR:** A type (plug)
- 7. COMPATIBILITY:** Full Compliance with USB V2.0 specification
- 8. MAX. CABLE LENGTH (Between PC and PGUSB485):** 328.08 ft (100 m)
- 9. CABLE:** 6.5 ft (2 m), 2-wire RJ12 pigtail end.
- 10. CERTIFICATIONS AND COMPLIANCES:**  
Emissions and Immunity to EN 61800-3:2004
- 11. WEIGHT:** 4.5 oz (127.57 g)



#### RJ-45



PIN	DESCRIPTION	RJ-12 CABLE
1	Reserved	N/C
2	Reserved	N/C
3	Reserved	N/C
4	SG+	RED
5	SG-	GREEN
6	Reserved	N/C
7	Reserved	N/C
8	Reserved	N/C

#### LED DISPLAY

Steady Green	Power in ON
Blinking Orange	Data is Transmitting

#### INSTALLING PGUSB485 DRIVER

Note: Do not connect the PGUSB485 to a PC at this time.

1. Insert the installation CD into the PC.
  - The CD may autorun on some PC systems.
  - If the CD does not autorun:
    - a. Open Windows Explorer
    - b. Select the drive containing the CD.
    - c. Double-click the USB-485M\_Drivers.exe file.
2. Follow the on screen driver installation instructions.
3. Driver installation is complete.

The driver is also available for download at redlion.net.

#### INSTALLING PGUSB485 HARDWARE

1. Complete installation of the PGUSB485 driver.
2. Connect the PGUSB485 to a USB port on the PC.
 

The PC will detect new hardware and provide the necessary instructions for installing the new hardware.

For setup of interfacing software (Crimson 2), note the COM Port number to which the new hardware is assigned. If the COM Port number is not noted during the installation process, it can be found by going to Device Manager, Ports and then selecting "CP210x USB to UART Bridge Controller".
3. Hardware installation is complete.

#### ORDERING INFORMATION

MODEL NO.	DESCRIPTION	PART NUMBER
PGUSB	USB to 485 Converter with Cable	PGUSB485

### **LIMITED WARRANTY**

The Company warrants the products it manufactures against defects in materials and workmanship for a period limited to two years from the date of shipment, provided the products have been stored, handled, installed, and used under proper conditions. The Company's liability under this limited warranty shall extend only to the repair or replacement of a defective product, at The Company's option. The Company disclaims all liability for any affirmation, promise or representation with respect to the products.

The customer agrees to hold Red Lion Controls harmless from, defend, and indemnify RLC against damages, claims, and expenses arising out of subsequent sales of RLC products or products containing components manufactured by RLC and based upon personal injuries, deaths, property damage, lost profits, and other matters which Buyer, its employees, or sub-contractors are or may be to any extent liable, including without limitation penalties imposed by the Consumer Product Safety Act (P.L. 92-573) and liability imposed upon any person pursuant to the Magnuson-Moss Warranty Act (P.L. 93-637), as now in effect or as amended hereafter.

No warranties expressed or implied are created with respect to The Company's products except those expressly contained herein. The Customer acknowledges the disclaimers and limitations contained herein and relies on no other warranties or affirmations.