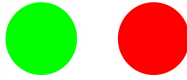





LED element, flat front, red/green, front mounting

Part no. **M22-FLED-RG**
 Catalog No. **180799**
 Eaton Catalog No. **M22-FLED-RG**
 EL-Nummer **4315750**
 (Norway)

Delivery program

| | | | |
|---|-----------------|----|--|
| Product range | | | Accessories |
| Part group reference (e.g. DIL) | | | M22 |
| Basic function accessories | | | LED elements |
| Single unit/Complete unit | | | Single unit |
| Description | | | Cage Clamp is a registered trademark of Wago Kontakttechnik GmbH/Minden, Germany |
| Connection technique | | | Cage Clamp |
| Fixing | | | Front fixing |
| Rated operational voltage | U_e | V | 24 V DC |
| Rated operational current | | | |
| Rated operational current min. | I_e | mA | 10 |
| Rated operational current, max. [units: mA] | I_e | mA | 15 |
| Power consumption | $P_{max.}$ | W | 0.36 |
| Lifespan to EN 60064 at $t_a = +25\text{ °C}$ | t_{mean} (AC) | h | 100000 |
| Degree of Protection | | | IP20 |
| | | | at 24 V |
| Colour | | | |
| | | | Red/green |
| | | |  |
| Connection to SmartWire-DT | | | no |
| Approval | | |  |
| Actuator travel and actuation force as per DIN EN 60947-5-1, K.5.4.1 | | | |
| Minimum force for positive opening | N | | 0 |
| Connection technique | | | Cage Clamp |

Notes

For indicator lights, illuminated pushbutton actuators, and illuminated selector switch actuators, the following applies: Only in combination with M22-...-W

Terminal diagram:

| | Colors | Pin | X2 | X3 | X4 |
|--------------|--------|-----|----|----|-----|
| | | X1 | +G | +B | GND |
| | | +R | | | |
| M22-FLED-RG | red | x | | | x |
| | green | | x | | x |
| | yellow | x | x | | x |
| M22-FLED-RGB | red | x | | | x |
| | green | | x | | x |

| Colors | Pin | X1 | X2 | X3 | X4 |
|-----------|-----|----|----|----|-----|
| | X1 | | X2 | X3 | X4 |
| | +R | | +G | +B | GND |
| yellow | x | | x | | x |
| White | x | | x | x | x |
| blue | | | | x | x |
| Violet | x | | | x | x |
| Turquoise | | | x | x | x |

Technical data

General

| | | | |
|--|--|-----------------|---|
| Standards | | | IEC 60947-5-1 |
| Degree of Protection | | | IP20 |
| Climatic proofing | | | Damp heat, constant, to IEC 60068-2-78 Damp heat, cyclic, to IEC 60068-2-30 Dry heat to IEC 60068-2-2 |
| Ambient temperature | | | |
| Open | | °C | -25 - +70 |
| Storage | | °C | - 40 - + 85 |
| Mounting position | | | As required |
| Mechanical shock resistance according to IEC 60068-2-27 Shock duration 11 ms, half-sinusoidal | | g | > 50 |
| Terminal capacities | | mm ² | |
| Solid | | mm ² | 1 x 1 (0.2 - 1.5) 1 x 1 (075 - 1.5) Can be plugged without tools |
| Stranded | | mm ² | 1 x 1 (0.2 - 1.5) |
| Flexible with ferrule | | mm ² | 1 x 1 (0.25 - 1) Use WAGO Variocrimp 4 crimping tool; please enquire for others |
| Solid or stranded | | AWG | 20 |

Contacts

| | | | |
|---|------------------|------|-------|
| Rated impulse withstand voltage | U _{imp} | V AC | 4000 |
| Rated insulation voltage | U _i | V | 250 |
| Overvoltage category/pollution degree | | | III/3 |
| Indoor and protected outdoor installation | | | |

Design verification as per IEC/EN 61439

| | | | |
|--|--|----|-----|
| Technical data for design verification | | | |
| Operating ambient temperature min. | | °C | -25 |
| Operating ambient temperature max. | | °C | 70 |

Technical data ETIM 6.0

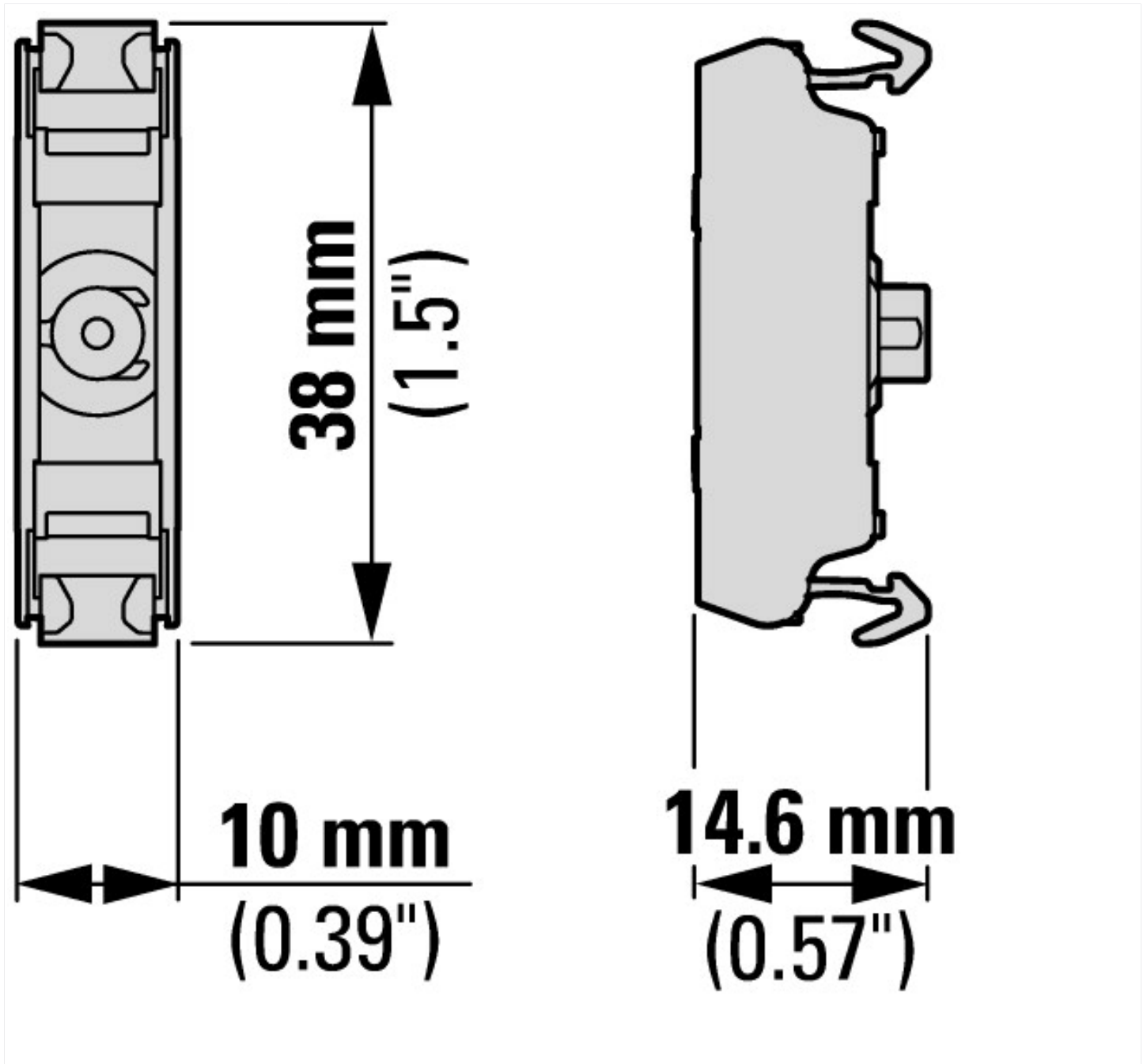
| | | | |
|--|--|---|-------------------------|
| Low-voltage industrial components (EG000017) / Lamp holder block for control circuit devices (EC000204) | | | |
| Electric engineering, automation, process control engineering / Low-voltage switch technology / Command and alarm device / Bulb socket block for command and alarm devices (ec1@ss8.1-27-37-12-09 [AKF027011]) | | | |
| With integrated transformer | | | No |
| With integrated voltage decreasing resistor | | | No |
| With integrated lamp | | | Yes |
| With integrated diode | | | Yes |
| Lamp holder | | | None |
| Rated voltage U _e at AC 50 Hz | | V | 0 - 0 |
| Rated voltage U _e at AC 60 Hz | | V | 0 - 0 |
| Rated voltage U _e at DC | | V | 24 - 24 |
| Voltage type for actuating | | | DC |
| Type of lamp | | | LED |
| Connection type auxiliary circuit | | | Spring clamp connection |
| Colour lamp | | | Other |
| Type of fastening | | | Front fastening |

Approvals

| | | | |
|-------------------|--|--|--|
| Product Standards | | | IEC/EN 60947-5; UL 508; CSA-C22.2 No. 14-05; CSA-C22.2 No. 94-91; CE marking |
|-------------------|--|--|--|

| | |
|-----------------------------|--------------------------|
| UL File No. | E29184 |
| UL Category Control No. | NKCR |
| CSA File No. | 012528 |
| CSA Class No. | 3211-03 |
| North America Certification | UL listed, CSA certified |
| Degree of Protection | UL/CSA Type: - |

Dimensions



Assets (Links)

[Declaration of Conformity](#)

00002595