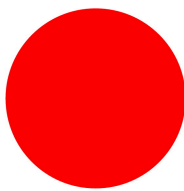





LED element, flat front, red, front mounting

Part no. **M22-FLED-R**  
 Catalog No. **180798**  
 Eaton Catalog No. **M22-FLED-R**  
 EL-Nummer **4315749**  
 (Norway)

### Delivery program

Product range			Accessories
Part group reference (e.g. DIL)			M22
Basic function accessories			LED elements
Single unit/Complete unit			Single unit
Description			Cage Clamp is a registered trademark of Wago Kontakttechnik GmbH/Minden, Germany
Connection technique			Cage Clamp
Fixing			Front fixing
Rated operational voltage	$U_e$	V	12 - 30 V AC/DC, 50/60 Hz (Standard 24 V AC/DC)
<b>Rated operational current</b>			
Rated operational current min.	$I_e$	mA	5
Rated operational current, max. [units: mA]	$I_e$	mA	15
Power consumption	$P_{max.}$	W	0.26
Lifespan to EN 60064 at $t_a = +25\text{ °C}$	$t_{mean}$ (AC)	h	100000
Degree of Protection			IP20 at 24 V
<b>Colour</b>			
			
Connection to SmartWire-DT			no
Approval			
<b>Actuator travel and actuation force as per DIN EN 60947-5-1, K.5.4.1</b>			
Minimum force for positive opening	N		0
Connection technique			Cage Clamp
<b>Notes</b>			
For indicator lights, illuminated pushbutton actuators, and illuminated selector switch actuators, the following applies:			
M22...-R only in combination with M22-FLED...-R			
M22...-G only in combination with M22-FLED...-G			
M22...-W only in combination with M22-FLED...-W			
M22...-Y only in combination with M22-FLED...-W			

## Technical data

### General

Standards			IEC 60947-5-1
Degree of Protection			IP20
Climatic proofing			Damp heat, constant, to IEC 60068-2-78 Damp heat, cyclic, to IEC 60068-2-30 Dry heat to IEC 60068-2-2
Ambient temperature			
Open		°C	-25 - +70
Storage		°C	- 40 - + 85
Mounting position			As required
Mechanical shock resistance according to IEC 60068-2-27 Shock duration 11 ms, half-sinusoidal		g	> 50
Terminal capacities		mm <sup>2</sup>	
Solid		mm <sup>2</sup>	1 x 1 (0.2 - 1.5) 1 x 1 (075 - 1.5) Can be plugged without tools
Stranded		mm <sup>2</sup>	1 x 1 (0.2 - 1.5)
Flexible with ferrule		mm <sup>2</sup>	1 x 1 (0.25 - 1) Use WAGO Variocrimp 4 crimping tool; please enquire for others
Solid or stranded		AWG	20

### Contacts

Rated impulse withstand voltage	$U_{imp}$	V AC	4000
Rated insulation voltage	$U_i$	V	250
Overvoltage category/pollution degree			III/3
Indoor and protected outdoor installation			

## Design verification as per IEC/EN 61439

Technical data for design verification			
Operating ambient temperature min.		°C	-25
Operating ambient temperature max.		°C	70

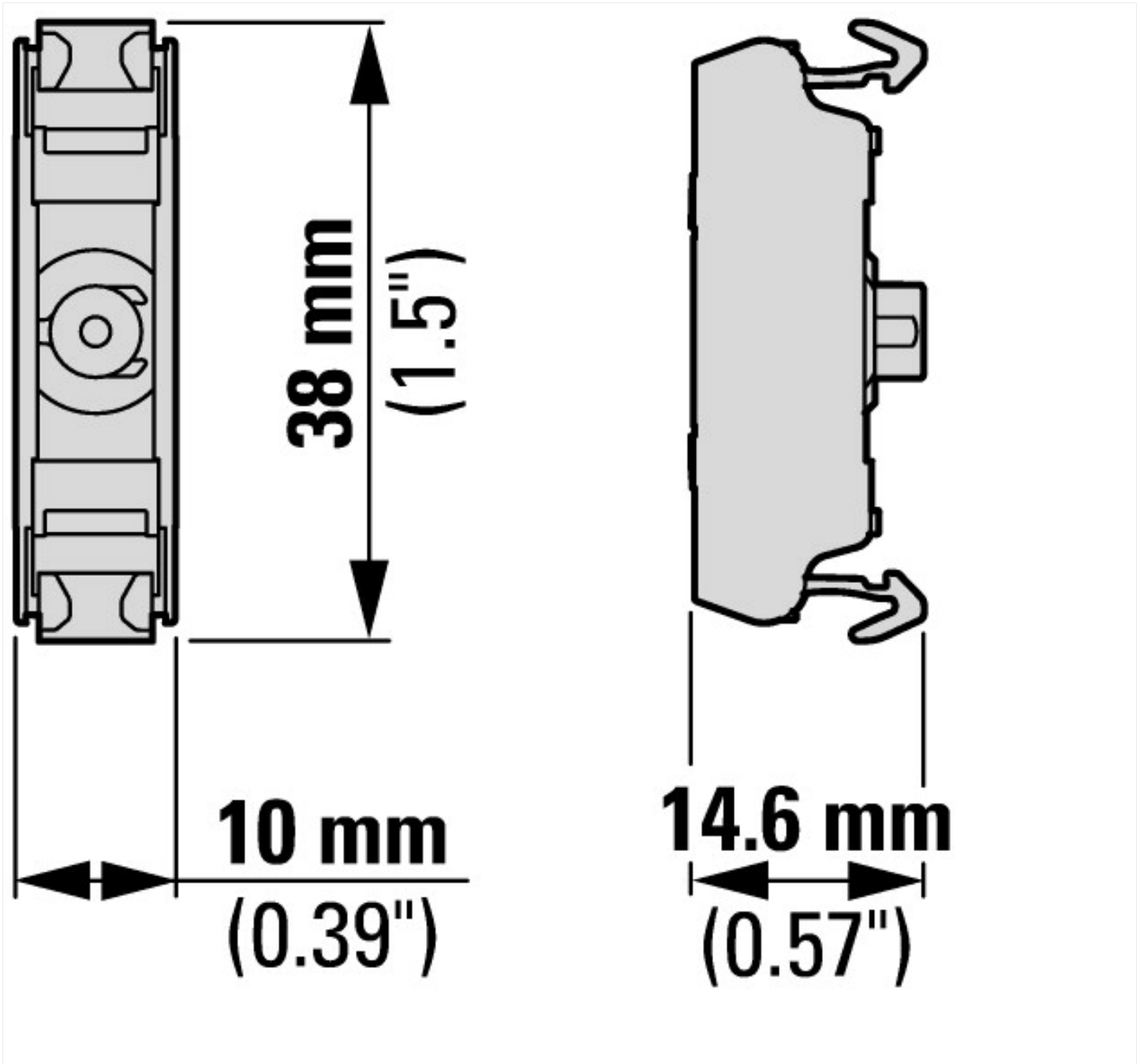
## Technical data ETIM 6.0

Low-voltage industrial components (EG000017) / Lamp holder block for control circuit devices (EC000204)			
Electric engineering, automation, process control engineering / Low-voltage switch technology / Command and alarm device / Bulb socket block for command and alarm devices (ecl@ss8.1-27-37-12-09 [AKF027011])			
With integrated transformer			No
With integrated voltage decreasing resistor			No
With integrated lamp			Yes
With integrated diode			Yes
Lamp holder			None
Rated voltage $U_e$ at AC 50 Hz		V	12 - 30
Rated voltage $U_e$ at AC 60 Hz		V	12 - 30
Rated voltage $U_e$ at DC		V	12 - 30
Voltage type for actuating			AC/DC
Type of lamp			LED
Connection type auxiliary circuit			Spring clamp connection
Colour lamp			Red
Type of fastening			Front fastening

## Approvals

Product Standards			IEC/EN 60947-5; UL 508; CSA-C22.2 No. 14-05; CSA-C22.2 No. 94-91; CE marking
UL File No.			E29184
UL Category Control No.			NKCR
CSA File No.			012528
CSA Class No.			3211-03

### Dimensions



### Assets (Links)

[Declaration of Conformity](#)

00002595