



ENGLISH

Datasheet

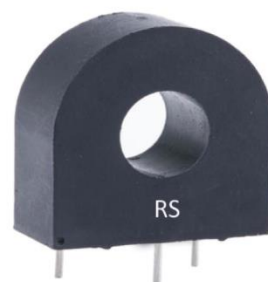
Stock No: 1243892

RS Pro

50/60Hz Current Transformers

Application

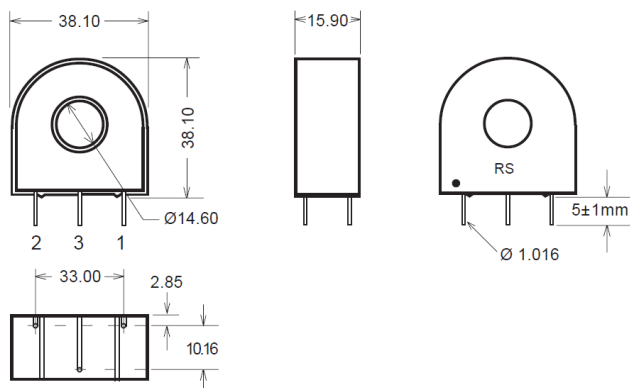
- Sensing Overload Current
- Ground fault detection
- Metering
- Analog to Digital Circuits
- Fully ROHS & REACH Compliance
- All Materials UL94-V0
- Storage temperature -55°C to +130°C



Electrical Specifications @ 20°C ambient

Primary Current	60A nom., 200A max.
Turns Ratio	1000:1 nominal
Volt per Amp Ratio at 60A for 100 Ω load	0.100 V/A
Volt per Amp Ratio at 6A for 100 Ω load	0.0984 V/A
DC Resistance at 20°C	24 Ω
Dielectric Withstanding Voltage (Hi-pot)	4KVrms

Mechanical Dimensions



Notes:

- 1) Unless requested, the terminating resistor and the one-turn primary are not supplied
- 2) Pin 3: Normally for mechanical support only but will be used on center tapped designs
- 3) Tolerance $\pm 0.20\text{mm}$

