



RAYCHEM | RAYCHEM RMW

TE Internal #: 068792-000

Black, 3:1, Dual Wall Tubing, Shrinks To 1.142 in [29 mm], Irradiated Modified Polyolefin, 95 mm [3.74 in] Inner Diameter, RAYCHEM RMW

[View on TE.com >](#)

Heat Shrink Tubing



Primary Product Color: **Black**

Wall Type: **Dual Wall**

Expanded Inside Diameter (Min): **95 mm [ 3.74 in ]**

Recovered Inside Diameter (Max): **29 mm [ 1.142 in ]**

Shrink Ratio: **3:1**

**Features**

**Product Type Features**

Product Family	RMW
Wall Type	Dual Wall

**Electrical Characteristics**

Voltage (Max)	.6 kV
---------------	-------

**Body Features**

Fluid Type	VDE 0370 Oil, Water
Primary Product Color	Black
Shrink Ratio	3:1
Primary Product Material	Irradiated Modified Polyolefin
Flexibility	Semi-Rigid

**Dimensions**

Recovered Wall Thickness (Tolerance)	3.1 mm[.122 in]
Cut Length	1200 mm[47.244 in]
Expanded Inside Diameter (Min)	95 mm[3.74 in]
Recovered Inside Diameter (Max)	29 mm[1.142 in]

**Usage Conditions**

Shrink Temperature (Min)	110 °C
--------------------------	--------



Fluid Resistance	Moisture/Spray Protection, Splash Protection
Heat Shrink Tubing Flammability	Non-Flame-Retardant
Operating Temperature Range	-40 – 110 °C
Heat Shrink Tubing Resistance	Abrasion, Fluids, Impact, Mechanical Damage, Strain Relief
Recovery Temperature	125 °C

### Product Availability

Applicable Region	Global
-------------------	--------

### Packaging Features

Packaging Method	Piece
------------------	-------

### Other

Meets Low Outgassing Requirements	No
Product Source	Germany

### Product Compliance

[For compliance documentation, visit the product page on TE.com>](#)

EU RoHS Directive 2011/65/EU	Compliant
EU ELV Directive 2000/53/EC	Compliant
China RoHS 2 Directive MIIT Order No 32, 2016	No Restricted Materials Above Threshold
EU REACH Regulation (EC) No. 1907/2006	Current ECHA Candidate List: JAN 2023 (233) Candidate List Declared Against: JAN 2023 (233) Does not contain REACH SVHC
Halogen Content	BFR/CFR/PVC Free, but Br/Cl >900 ppm in other sources.
Solder Process Capability	Not applicable for solder process capability

#### Product Compliance Disclaimer

This information is provided based on reasonable inquiry of our suppliers and represents our current actual knowledge based on the information they provided. This information is subject to change. The part numbers that TE has identified as EU RoHS compliant have a maximum concentration of 0.1% by weight in homogenous materials for lead, hexavalent chromium, mercury, PBB, PBDE, DBP, BBP, DEHP, DIBP, and 0.01% for cadmium, or qualify for an exemption to these limits as defined in the Annexes of Directive 2011/65/EU (RoHS2). Finished electrical and electronic equipment products will be CE marked as required by Directive 2011/65/EU. Components may not be CE marked. Additionally, the part numbers that TE has identified as EU ELV compliant have a maximum concentration of 0.1% by weight in homogenous materials for lead, hexavalent chromium, and mercury, and 0.01% for cadmium, or qualify for an exemption to these limits as defined in the Annexes of Directive 2000/53/EC (ELV). Regarding the REACH Regulation, the information TE provides

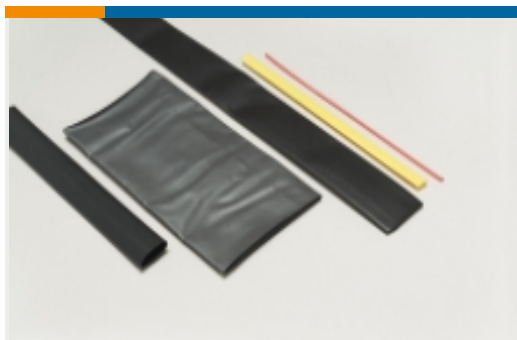
on SVHC in articles for this part number is based on the latest European Chemicals Agency (ECHA) 'Guidance on requirements for substances in articles' posted at this URL: <https://echa.europa.eu/guidance-documents/guidance-on-reach>

## Compatible Parts



TE Part # EG1114-000  
CV1981-ST-230V1600W-EU

## Also in the Series | RAYCHEM RMW



Heat Shrink Tubing(28)

## Customers Also Bought



TE Part #1-1676625-1  
HSA25 2K7 5%



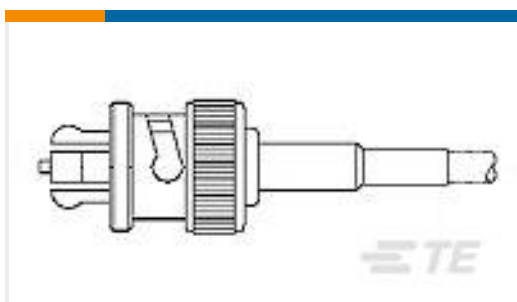
TE Part #F46631-000  
RMW-160/50-1200/ADH-0



TE Part #735398  
ELECTRO-TAP ASSY



TE Part #735410  
ELECTRO TAP ASSY



TE Part #5051426-5  
SAFE HIGH VOLTAGE PLUG



TE Part #1-1623720-0  
CCR2 47R 10%



TE Part #8-1879417-0  
CPF0603 825K 0.1% 25PPM 1K RL



TE Part #C12980-000  
RMW-115/34-1200/ADH-0



## Documents

### Product Drawings

[RMW-95/29-1200/ADH-0](#)

English

---

### Datasheets & Catalog Pages

[Measuring\\_Single\\_Wall\\_Tubing](#)

English

[RMW Raychem Tubing Products](#)

English

[Selecting\\_Correct\\_Tubing\\_1216](#)

English

[Medium Wall, Polyolefin Heat-Shrinkable Tubing](#)

English

---

### Product Specifications

[Product Specification](#)

English