

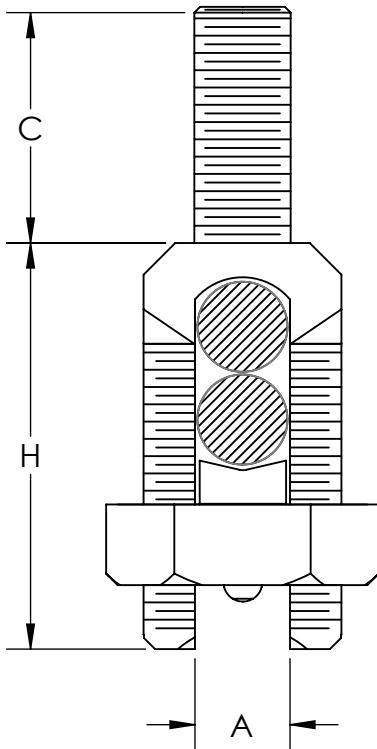
THIS COPY IS PROVIDED ON A RESTRICTED BASIS AND IS NOT TO BE USED IN ANY WAY DETRIMENTAL TO THE INTERESTS OF PANDUIT CORP.

NOTES:

1. MALE STUD CONNECTORS USED FOR GROUNDING TWO COPPER CODE CONDUCTORS TO STEEL STRUCTURES, BUSBARS, OR TRANSFORMERS.
2. MATERIAL: COMMERCIAL BRONZE
80% MIN. COPPER CONTENT
3. SEE www.PANDUIT.com FOR PACKAGE QUANTITIES.



DB
RATED



PANDUIT PART NUMBER	CONDUCTOR RANGE AWG	STUD SIZE	HEX NUT WRENCH SIZE	TIGHTENING TORQUE	A	STUD LENGTH C	H
GSP2-12-6	MIN 12 SOL - 12 SOL MAX 6 STR - 6 STR	1/4" UNC	11/16"	165 IN-LB	0.22 [5.5]	0.83 [21.0]	0.94 [24.0]
GSP2-10-4	MIN 10 SOL - 10 SOL MAX 4 STR - 4 STR	5/16" UNC	13/16"	275 IN-LB	0.32 [8.0]	0.83 [21.0]	1.30 [33.0]
GSP2-10-2	MIN 10 SOL - 10 SOL MAX 2 STR - 2 STR	3/8" UNC	13/16"	275 IN-LB	0.32 [8.0]	0.83 [21.0]	1.30 [33.0]
GSP2-2-2/0	MIN 2 SOL - 2 SOL MAX 2/0 STR - 2/0 STR	3/8" UNC	1-1/16"	385 IN-LB	0.43 [11.0]	0.83 [21.0]	1.65 [42.0]

REV	DATE	BY	CHK	APR	DESCRIPTION	ECN
00	12/15	JHNU	RLS	RGB	DRAWING RELEASED	14J190BB-DC

TITLE BRONZE MALE SERVICE POST CONNECTOR FOR TWO CONDUCTORS - GSP2 SERIES CUSTOMER DRAWING	
ITEM REVISION NAME 14J190BB/00	
DATASET FILE NAME 14J190BB-DC/00.SLDDRW	
UNLESS OTHERWISE SPECIFIED, DIMENSIONAL TOLERANCES ARE: IN [mm] .X ± .XXX ± .XX ± .06 [1.5] ANGLES ±	
THIRD ANGLE PROJECTION	
DRAWN BY JHNU	DATE 12/15
CHK RLS	SCALE N/A
DRAWING NUMBER 14J190BB-DC	
SHEET 1 OF 1	
SIZE A	