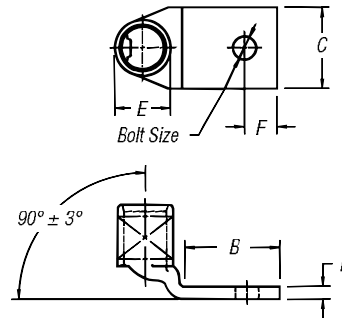


Compression Connectors for Copper Conductor

One-Hole Lugs — 90° Standard Barrel 600V to 35kV

Material: High-Conductivity
Wrought Copper

Finish: Electro Tin Plate



CAT. NO.	WIRE SIZE			DIMENSIONS (IN.)					DIE CODE	DIE COLOR
	CODE	FLEX CLASS G, H, I, K, M†	BOLT SIZE	B	C	D	E	F		
54104UB	#8 AWG	23 Navy	#10	.50	.39	.08	.25	1/32	21	RED
54130UB		#8 Weld	1/4	.61	.45	.07	.25	1/4	21	
54131UB		37/24 = 14.9 kcmil	3/8	.64	.56	.05	.25	1/32	21	
54132UB	#6 AWG	30 Navy	#10	.53	.44	.07	.31	1/32	24	BLUE
54134UB		#6 Weld	1/4	.53	.44	.07	.31	1/32	24	
54105UB		61/24 = 24.6 kcmil	3/8	.67	.60	.07	.31	1/16	24	
54135UB		133/.014	3/8	.67	.60	.07	.31	1/16	24	
54136UB	#4 AWG	#4 Weld	#10	.60	.55	.09	.37	1/4	29	GRAY
54138UB		40-50 Navy	1/4	.60	.55	.09	.37	1/4	29	
54106UB		91/24 = 36.7 kcmil	3/8	.66	.61	.07	.37	1/16	29	
54139UB		133/.0177	3/8	.66	.61	.07	.37	1/16	29	
54140UB		49/.029	1/2	1.40	1.00	.06	.37	1/2	29	
256-30695-264UB	#5-91/24	1/2	1.40	1.00	.06	.37	1/2	29		
54107UB	#2 AWG	60 Navy	1/4	.65	.59	.11	.41	1/4	33	BROWN
54142UB		125/24 = 50.4 kcmil	3/8	.88	.59	.11	.41	3/8	33	
54143UB		#3 Weld	1/2	1.08	.75	.08	.41	1/2	33	
54145UB	#1 AWG	75 Navy, #2 Weld	1/4	.65	.68	.11	.47	1/4	37	GREEN
54108UB		150/24 = 60.5 kcmil	3/8	.93	.68	.11	.47	3/8	37	
54147UB		175/24 = 70.6 kcmil	3/8	.98	.68	.11	.47	3/8	37	
54148UB		133/.0223	1/2	1.25	.76	.11	.47	1/2	37	
54150UB	1/0 AWG	100 Navy	1/4	.65	.75	.13	.52	1/4	42	PINK
54152UB		#1 Weld	3/8	.88	.75	.13	.52	3/8	42	
54109UB		225/24 = 90.8 kcmil	3/8	.93	.75	.13	.52	3/8	42	
54155UB	2/0 AWG	133/.0254	1/2	1.25	.75	.13	.52	1/2	42	BLACK
54157UB		125 Navy	1/4	.65	.83	.13	.57	1/4	45	
54158UB		1/0 Weld	3/8	.88	.83	.13	.57	3/8	45	
54110UB		275/24 = 111 kcmil	3/8	.93	.83	.13	.57	3/8	45	
54160UB	3/0 AWG	427/.0155, 133/.0282	1/2	1.25	.83	.13	.57	1/2	45	ORANGE
54162UB		150 Navy, 2/0 Weld	1/4	.65	.92	.13	.63	1/4	50	
54163UB		325/24 = 131 kcmil	3/8	.88	.92	.13	.63	3/8	50	
54111UB	4/0 AWG	133/.0316, 259/.0227	3/8	.93	.92	.13	.63	3/8	50	PURPLE
54165UB		427/.0177	1/2	1.25	.92	.13	.63	1/2	50	
54167UB		200 Navy	1/4	.65	1.03	.14	.70	1/4	54	
54168UB	4/0 AWG	3/0 Weld	3/8	.87	1.03	.14	.70	3/8	54	YELLOW
54112UB		450/24 = 182 kcmil	3/8	.93	1.03	.14	.70	3/8	54	
54170UB		703/.0154	1/2	1.25	1.03	.14	.70	1/2	54	
58161UB	4/0 AWG	4/0 Weld	1/4	.78	1.25	.15	.79	3/8	62	YELLOW
58162UB		550/24 = 222 kcmil	3/8	.88	1.25	.15	.79	3/8	62	
58163UB		133/.0399	3/8	.93	1.25	.15	.79	3/8	62	
58165UB		259/.0286	1/2	1.25	1.25	.15	.79	1/2	62	
58166UB	637/.0183	3/8	1.58	1.25	.15	.79	3/8	62		

† Contact Technical Services for specific stranding listings

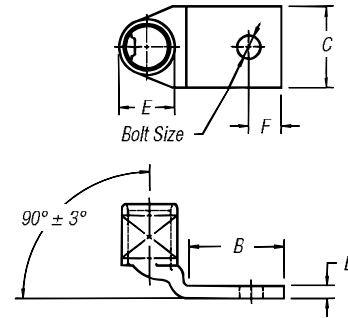
Tooling: pp. F-80-F-100 Die Selector Chart: pp. F-101-F-104

Compression Connectors for Copper Conductor

One-Hole Lugs — 90° Standard Barrel 600V to 35kV (continued)

Material: High-Conductivity
Wrought Copper

Finish: Electro Tin Plate



CAT. NO.	WIRE SIZE			DIMENSIONS (IN.)					DIE CODE	DIE COLOR
	CODE	FLEX CLASS G, H, I, K, M†	BOLT SIZE	B	C	D	E	F		
54172UB	250 kcmil	250 Navy	¼	.65	1.13	.14	.77	¼	62	YELLOW
54173UB			⅜	.88	1.13	.14	.77	⅜	62	
54174UB			½	.93	1.13	.14	.77	½	62	
54113UB			¾	1.25	1.13	.14	.77	¾	62	
58168UB	300 kcmil	300 Navy	½	1.25	1.25	.15	.85	½	66	WHITE
54178UB			⅜	.88	1.25	.15	.85	⅜	66	
54179UB			½	.93	1.25	.15	.85	½	66	
54114UB			¾	1.25	1.25	.15	.85	¾	66	
54181UB	350 kcmil	350 Navy	¾	1.58	1.25	.15	.85	¾	66	RED
58171UB			½	1.25	1.36	.18	.93	½	71	
256-30695-112UB			⅜	1.25	1.36	.18	.93	½	71	
54115UB			½	1.25	1.36	.18	.93	½	71	
54183UB	400 kcmil	400 Navy	¾	1.58	1.36	.18	.93	¾	71	BLUE
58174UB			½	1.25	1.61	.22	1.09	½	76	
54116UB			⅜	1.25	1.41	.17	.96	½	76	
54185UB			½	1.58	1.41	.17	.96	¾	76	
256-30695-1403UB	500 kcmil	500 Navy	¾	1.31	1.61	.22	1.04	¾	80	N/A
58177UB			½	1.25	1.61	.22	1.04	½	80	
54118UB			⅜	1.25	1.61	.22	1.10	½	87	
54187UB			½	1.58	1.61	.22	1.10	¾	87	
58180UB	600 kcmil	600 Navy	¾	1.58	1.75	.24	1.20	¾	94	GREEN
54120UB			½	1.58	1.75	.24	1.20	¾	94	
54122UB			⅜	1.58	1.84	.23	1.26	¾	99	
256-30695-840UB			½	1.69	1.81	.28	1.25	19/16	99	
58182UB	750 kcmil	750 Navy	¾	1.58	1.81	.28	1.25	¾	99	PINK
54123UB			½	1.58	1.94	.27	1.33	¾	106	
58184UB			⅜	1.58	1.94	.27	1.33	¾	106	
54124UB			½	1.58	2.01	.27	1.38	¾	107	
54126UB	800 kcmil	800 Navy	¾	1.58	2.17	.31	1.50	¾	115	BLACK
54128UB			½	1.58	2.27	.30	1.55	¾	125	
54128UB			¾	1.58	2.27	.30	1.55	¾	125	
54128UB	900 kcmil	900 Navy	¾	1.58	2.17	.31	1.50	¾	115	ORANGE
54128UB			½	1.58	2.27	.30	1.55	¾	125	
54128UB	1000 kcmil	1000 Navy	¾	1.58	2.17	.31	1.50	¾	115	YELLOW
54128UB			½	1.58	2.27	.30	1.55	¾	125	
54128UB	1000 kcmil	1000 Navy	¾	1.58	2.17	.31	1.50	¾	115	N/A
54128UB			½	1.58	2.27	.30	1.55	¾	125	

† Contact Technical Services for specific stranding listings

Tooling: pp. F-80-F-100

Die Selector Chart: pp. F-101-F-104

Overview

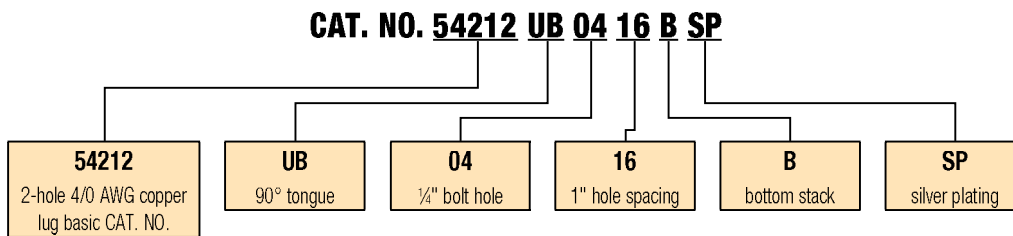
Order Form

Catalog No. _____ Qty. _____
 (For 54100, 54200, 54800 & 54900 Series Copper Lugs Only)

Design Controls and Requirements

All "MADE-UP" catalog numbers start with a standard or basic catalog number and are followed by the customer-required extra features: tongue shape, bolt hole size, distance between bolt holes, stacking, plating and inspection hole (peep hole). A code letter or a number has been assigned to each extra feature. See CODE TABLE.

- Notes:** 1) Lack of any of the extra features on the "MADE-UP" catalog number means that the standard Cat. No. features are prevalent.
 2) If either bolt hole size or distance between bolt holes needs to be changed from standard Cat. No., both code numbers will appear on the "MADE-UP" Cat. No. (See example below)



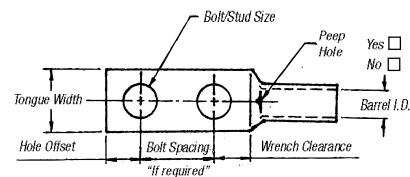
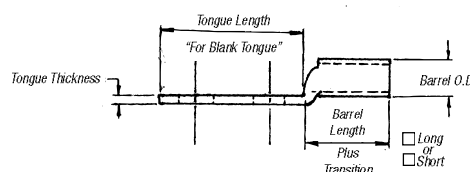
Code Table

TONGUE SHAPE		BOLT HOLES		BOLT HOLE CENTERS		STACKING		FINISH (PLATING)		INSPECTION HOLE (LONG BARREL)		INSPECTION HOLE (SHORT BARREL)		
TYPE	CODE	SIZE	.020	CODE	DISTANCE .015	CODE	TYPE	CODE	TYPE 1	CODE	I.D.	CODE	I.D.	CODE
15°	UI	#8	.173	02	1/2"	08	Top	T**	Silver Plate	SP	Peep Hole	PH	Blind End	BE
30°	UT	#10	.204	03	5/8"	10	Bottom	B	Lead Plate	LP				
45°	UF	1/4"	.281	04	3/4"	12			Nickel Plate	NP				
60°	US	5/16"	.344	05	1/2"	14			Plain Finish	PF				
90°	UB	3/8"	.406	06	1"	16			No Marking	NM				
Blank	BT	1/2"	.531	08	1 1/8"	18			Not QTP if					
(No Bolt Hole)		5/8"	.656	10	1 1/4"	20			suffix other					
		3/4"	.812	12	1 3/8"	22			than - PF or					
		7/8"	.937	14	1 1/2"	24			standard					
		1"	1.062	16	1 5/8"	26			tin plate					
					1 3/4"	28								
					1 7/8"	30								
					2"	32								

* These bolt centers not available for bolt holes larger than 3/8".

** Not required for 45° & 90° top stacking.

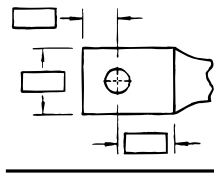
Cable		Code <input type="checkbox"/>
<input type="checkbox"/> #8	<input type="checkbox"/> #6	<input type="checkbox"/> #4
<input type="checkbox"/> #2	<input type="checkbox"/> #1	<input type="checkbox"/> 1/0
<input type="checkbox"/> 2/0	<input type="checkbox"/> 3/0	<input type="checkbox"/> 4/0
<input type="checkbox"/> 250 kcmil & up (Code Only)		



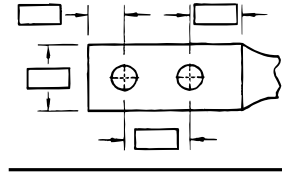
Overview

Tongue Specifications — See Chart “A” For Dimensions

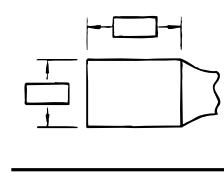
Stud Sizes		
<input type="checkbox"/> #8	<input type="checkbox"/> #10	<input type="checkbox"/> ¼"
<input type="checkbox"/> ⅜"	<input type="checkbox"/> ½"	<input type="checkbox"/> ⅝"
<input type="checkbox"/> ¾"	<input type="checkbox"/> ⅞"	<input type="checkbox"/> 1"



Single Hole



Double Hole



Blank

Chart A

NOMINAL BOLT HOLE SIZE .015	HOLE OFFSET .030	WRENCH CLEARANCE MIN.	TONGUE WIDTH CABLE SIZE										
			#8 CODE #8 WELD	#6 CODE #6 WELD	#4 CODE #4 WELD	#2 CODE #2 WELD	#1 CODE #1 WELD	1/0 CODE 1/0 WELD	2/0 CODE 2/0 WELD	3/0 CODE 3/0 WELD	4/0 CODE 3/0 WELD	250 CODE	
#8	.173	.200	.240	.406	.437	.562	.593	.672	.750	.825	.937	1.030	1.125
#10	.204	.218	.250	.406	.437	.562	.593	.672	.750	.825	.937	1.030	1.125
¼"	.281	.250	.312	.469	.500	.562	.593	.672	.750	.825	.937	1.030	1.125
⅜"	.344	.375	.406	.562	.562	.562	.675	.672	.750	.825	.937	1.030	1.125
½"	.406	.375	.440	.578	.578	.594	.675	.672	.750	.825	.937	1.030	1.125
⅝"	.531	.500	.562	—	—	—	.750	.750	.750	.825	.937	1.030	1.125
¾"	.656	.625	.875	—	—	—	—	—	—	—	.937	1.030	1.125
⅞"	.812	.750	.770	—	—	—	—	—	—	—	—	—	—
1"	.937	.875	.890	—	—	—	—	—	—	—	—	—	—
1*	1.062	.937	1.000	—	—	—	—	—	—	—	—	—	—

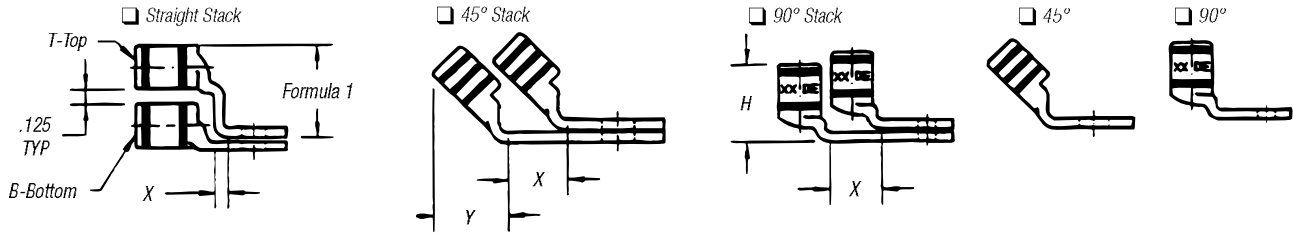
* These bolt holes available in one-hole lug only.

Chart B

CABLE SIZE	TONGUE THICKNESS	STRAIGHT LUG BARREL LENGTH PLUS TRANSITION		BARREL		DIM "X" STACKED LUGS			DIM "Y"		DIM "H"	
		SHORT	LONG	O.D.	I.D.	STRAIGHT	45°	90°	SHORT	LONG	SHORT	LONG
#8	.080	.635	.935	.260	.180	.158	.478	.394	.595	.808	.779	1.079
#6	.081	.675	.975	.296	.215	.134	.544	.432	.587	.799	.767	1.067
#4	.099	.685	.985	.365	.266	.175	.622	.502	.637	.849	.838	1.138
#2	.108	.815	1.115	.410	.302	.216	.649	.535	.711	.923	.958	1.258
#1	.106	.825	1.275	.467	.361	.212	.731	.592	.710	1.028	.956	1.406
1/0	.125	.975	1.325	.520	.396	.250	.789	.646	.794	1.042	1.075	1.425
2/0	.125	.965	1.315	.571	.446	.250	.859	.696	.829	1.077	1.125	1.475
3/0	.125	1.085	1.435	.632	.507	.250	.946	.757	.900	1.148	1.225	1.575
4/0	.137	1.255	1.705	.701	.564	.274	1.031	.826	1.015	1.333	1.387	1.837
250	.137	1.375	1.925	.766	.629	.274	1.123	.891	1.085	1.474	1.487	2.037
300	.153	1.900	2.675	.850	.660	.459	1.226	.975	1.180	1.726	1.924	2.679
350	.177	2.090	2.896	.926	.720	.531	1.333	1.103	1.267	1.830	2.096	2.896
400	.173	2.460	2.980	.960	.757	.519	1.370	1.085	1.551	1.913	2.484	2.984
500	.218	2.670	3.610	1.100	.852	.654	1.514	1.225	1.629	2.266	2.669	3.619
600	.244	2.900	3.490	1.200	.926	.732	1.630	1.325	1.762	2.147	2.897	3.497
700	.228	2.784	—	1.255	.997	.684	1.662	1.375	1.780	—	3.011	—
750	.270	3.050	3.925	1.330	1.030	.810	1.745	1.455	1.827	2.434	3.050	3.925
800	.266	3.213	—	1.375	1.079	.800	1.728	1.625	1.952	2.787	3.213	4.554
900	.313	3.450	4.550	1.500	1.145	.940	1.900	1.650	2.065	—	1.387	—
1,000	.297	3.356	4.500	1.550	1.203	.890	2.070	1.675	2.031	2.787	1.487	4.506

Note: Stacking lugs are available for one bolt only.
 Consult Factory: Straight: 700 kcmil & up.
 45°: 400 kcmil & up
 90°: 500 kcmil & up

Overview



Formula 1 = (.125 + 2 (OD) + .037 – Tongue Thickness)

Chart C

BOLT HOLE SIZE	TONGUE WIDTH .030 CODE CABLE SIZE										
	300 KCMIL 4/0 WELD	350 KCMIL	400 KCMIL	500 KCMIL 400 WELD	600 KCMIL 500 WELD	1325/24	700 KCMIL	750 KCMIL	800 KCMIL	900 KCMIL	1000 KCMIL
#8	—	—	—	—	—	—	—	—	—	—	—
#10	—	—	—	—	—	—	—	—	—	—	—
¼	1.250	1.355	1.410	1.605	1.745	1.805	1.840	1.935	2.010	2.180	2.265
⅓	1.250	1.355	1.410	1.605	1.745	1.805	1.840	1.935	2.010	2.180	2.265
⅜	1.250	1.355	1.410	1.605	1.745	1.805	1.840	1.935	2.010	2.180	2.265
½	1.250	1.355	1.410	1.605	1.745	1.805	1.840	1.935	2.010	2.180	2.265
¾	1.250	1.355	1.410	1.605	1.745	1.805	1.840	1.935	2.010	2.180	2.265
⅞*	—	—	—	1.605	1.745	1.805	1.840	1.935	2.010	2.180	2.265
1*	—	—	—	—	1.745	1.805	1.840	1.935	2.010	2.180	2.265

* These bolt holes available in one-hole lug only.