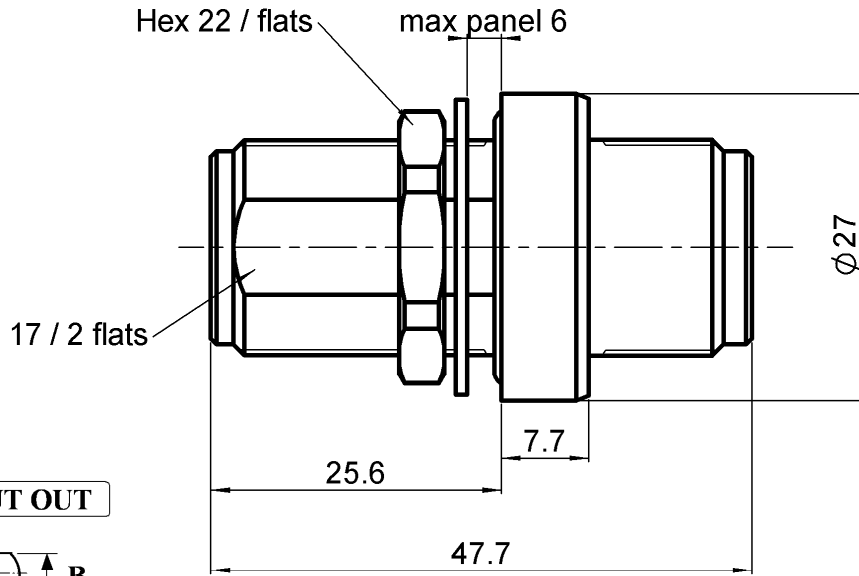


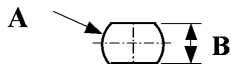
**BULKHEAD WATER PROOF F-F BETWEEN SERIES
ADAPTOR
BULKHEAD**

R176.754.000

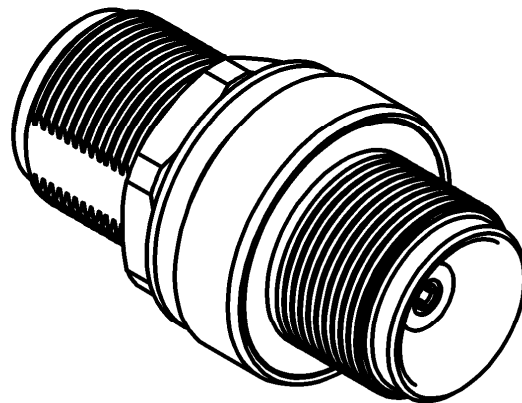
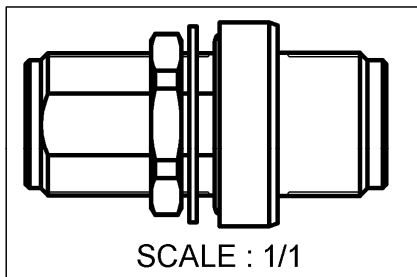
Series : HN



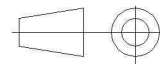
PANEL CUT OUT



mm		
	Maxi	mini
A	19.3	19.2
B	17.3	17.2



All dimensions are in mm.



COMPONENTS	MATERIALS	PLATINGS (μm)
BODY	BRASS	NICKEL 2
CENTER CONTACT	BERYLLIUM COPPER	SILVER 5
OUTER CONTACT	-	-
INSULATOR	PTFE	-
GASKET	SILICONE	-
OTHERS PARTS	-	-
-	-	-
-	-	-

Issue : 1409 U

In the effort to improve our products, we reserve the right to make changes judged to be necessary.



**BULKHEAD WATER PROOF F-F BETWEEN SERIES
ADAPTOR
BULKHEAD**

R176.754.000

Series : HN

PACKAGING

Standard	Unit	Other
1	-	Contact us

SPECIFICATION

29713711AA-RevB

ELECTRICAL CHARACTERISTICS

Impedance	50	Ω
Frequency	0-3	GHz
VSWR	1.35 + 0,0000	x F(GHz) Maxi
Insertion loss	0.156	$\sqrt{F(GHz)}$ dB Maxi
RF leakage	- (AD)	- F(GHz)) dB Maxi
Voltage rating	1750	Veff Maxi
Dielectric withstanding voltage	5000	Veff mini
Insulation resistance	10000	M Ω mini

ENVIRONMENTAL

Operating temperature	-55/+155	$^{\circ}C$
Hermetic seal	-	Atm.cm3/s
Panel leakage	IP67	

OTHERS CHARACTERISTICS

Assembly instruction

Others :
Rigidite dielectrique:8000Vcc accouplè

MECHANICAL CHARACTERISTICS

Center contact retention		
Axial force – Mating end	27	N mini
Axial force – Opposite end	27	N mini
Torque	NA	N.cm mini
Recommended torque		
Mating	-	N.cm
Panel nut	600	N.cm
Mating life	0	Cycles mini
Weight	87,0000	g

Issue : 1409 U

In the effort to improve our products, we reserve the right to make changes judged to be necessary.

