

### Ordering Information

<b>Description</b> 1" Liquidtight Adapter	<b>UPC</b> 783585140056	<b>Catalog Number</b> SAC100
--	----------------------------	---------------------------------

<b>Used With IEC Pin &amp; Sleeve</b> 30 and 32A 5 Wire and 60 & 63A (all)	<b>Used With Insulgrip Pin &amp; Sleeve:</b> 60A
---	---

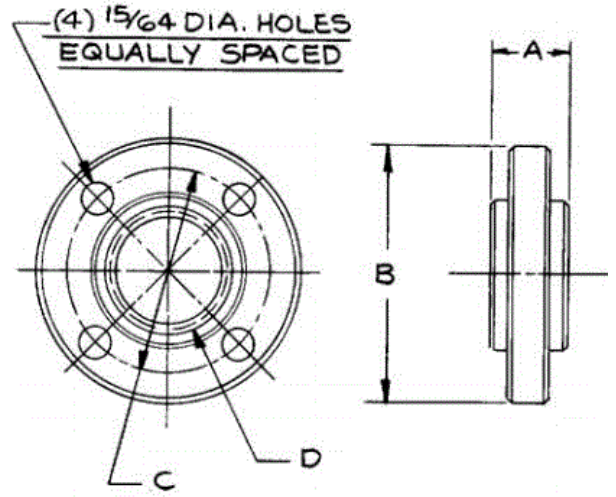


### Standards

UL Listed  
CSA Certified

### Specifications

Accessory Item	Conduit Adapter
Hub	Machined Aluminum
Assembly Screws	Stainless Steel
Gaskets	Neoprene



### Online Resources

Customer Use Drawing  
eCatalog  
Installation Instructions