

Datasheet

RS Stock No. 1253575

RS Pro Low Pressure, High Flow Micro-pump

Overview : Micro, Low Pressure, High Flow, Liquid Pump Range

The M200 series range of pumps are constructed from precision CNC machined aluminium alloy with stainless steel tubing connectors. The M200 range is fitted with Viton seals as standard. Alternative seal materials and optional wetted part coatings and materials are also available enabling this pump range to resist most chemicals and solvents. The pump uses efficient push fit connectors designed for 3.2mm flexible tubing. A 220mm electrical fly-lead is fitted as standard.

Pump Variants



M200S - Standard pump suitable for most applications



M200P2 and P4 - Super efficient pumps for fixed 6V supply



M200S-180 - Standard pump for inline flow connection



M200S-SUB - Pump for submersion in pumping medium

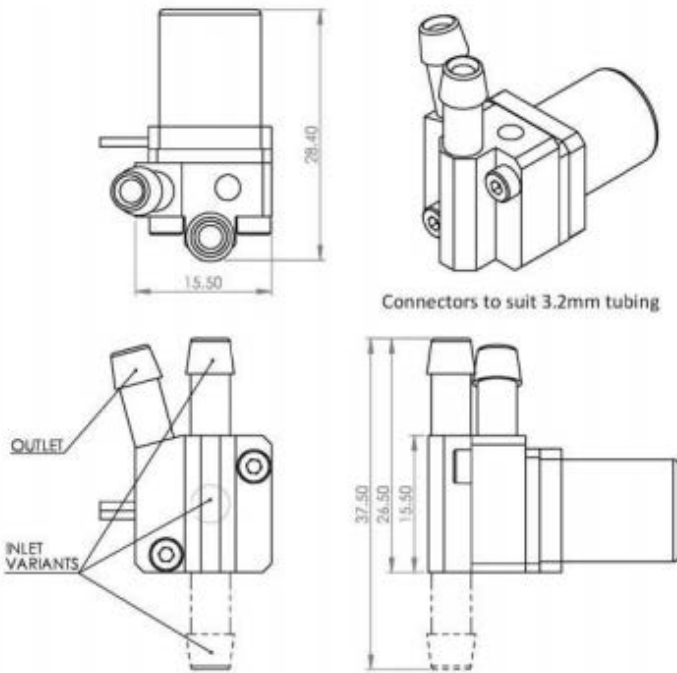
Typical Applications

- Medical devices
- Fuel Cells
- Battery and Solar Powered Systems
- Cooling Systems
- Low Pressure Fuel Pump
- Lubrication systems

Features

- CNC aluminum alloy construction
- Quiet pulseless smooth flow
- Small size only 29 x 16 x 16 mm
- Weight 11 - 13g
- Free flow up to 660ml per minute (water)
- Power by Solar supply, PSU or batteries
- Wide range of chemical resistance

Datasheet
RS Stock No. 1253575



Materials

Wetted Parts

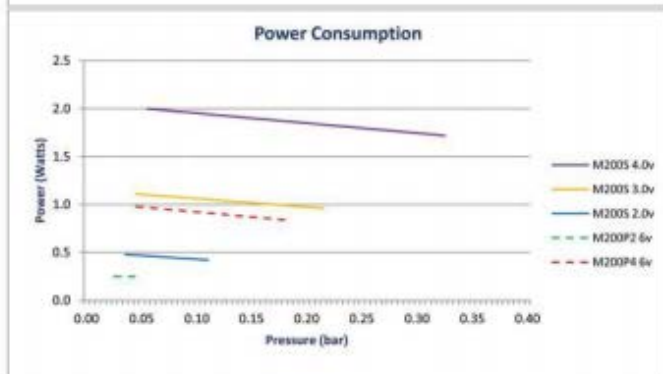
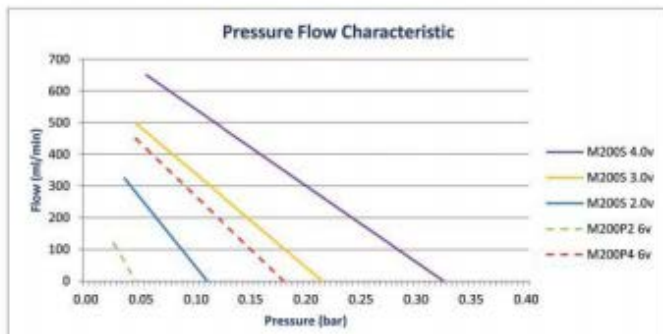
- Anodised 6000 Series Aluminium
- 316 Stainless Steel
- Viton or EPDM
- Polyacetal

Other

- Materials typical to 3 pole DC motor

Performance Data

- Small Size 16 x 16 x 29mm
- Weight 11-13 g
- Operating Temp -20 to 100 deg C
- Smooth Pulseless Flow
- IP Rating - Standard pumps IP45
Waterproof pumps IP67
- Noise Levels <1dB
Measured at a distance of 1m with a 50dB ambient noise level
- MTBF Stock Pumps 1,000hrs
Special Variants available to order >10,000hrs



Variant	Input (v)	Power (W)	Flow (mLpm)	Pressure (mbar)
M2005	4	2	661	323
	3	1.1	507	212
	2	0.5	330	110

* M200P2	6	0.25	122	43
----------	---	------	-----	----

M200 P4	6	0.98	458	185
---------	---	------	-----	-----

* NOTE - The M200P2 is a VERY low flow pump