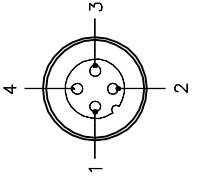
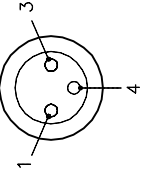
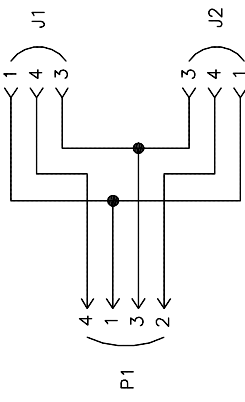


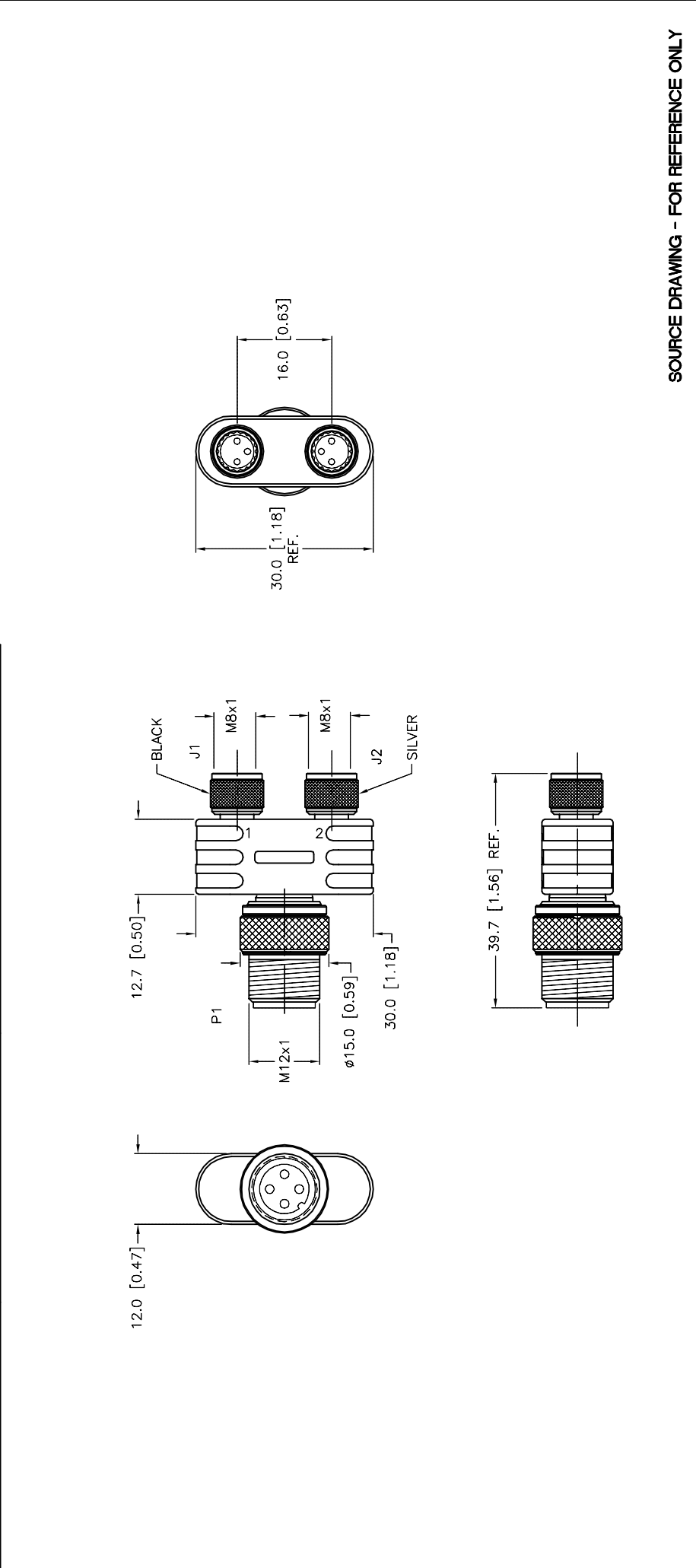



| MALE END VIEW | FEMALE END VIEW | WIRING DIAGRAM | SPECIFICATIONS |
|---|---|---|--|
|  |  |  | NYLON OR TPU TPU/BLACK BRASS/GOLD BRASS/NICKEL BLACK (J1)/SILVER (J2) 2.0 A 30 VAC/36 VDC PRINTED CIRCUIT PINS -30°C to +80°C (-22°F to +176°F) MEETS IEC IP67 |
|  | |  | |



| RELATED DOCUMENTS | 3RD ANGLE PROJECTION | THIS DRAWING IS CONFIDENTIAL AND THE PROPERTY OF TURCK INC. USE OF THIS DOCUMENT WITHOUT WRITTEN PERMISSION IS PROHIBITED. | 3000 CAMPUS DRIVE MINNEAPOLIS, MN 55441 1-800-544-7769 (763) 553-7300 (763) 553-0708 fax www.turck.us |
|--|--|--|---|
| 1. MATERIAL 2. SEE SPECIFICATIONS 3. FINISH 4. SEE SPECIFICATIONS |  ALL DIMENSIONS DISPLAYED ON THIS DRAWING ARE FOR REFERENCE ONLY CONTACT TURCK FOR MORE INFORMATION | DRFT RDS APVD | TURCK YB2-FSM 4.4/2PKG 3M DATE 01/04/06 SCALE 1=1.0 DESCRIPTION IDENTIFICATION NO. U0977-78 UNIT OF MEASUREMENT MILLIMETER [INCH] DO NOT SCALE THIS DRAWING |
| KMY 07/03/13 42662 BY DATE ECO NO. | D UPDATE PROTECTION CLASS REV DESCRIPTION | REV D U0977-78 | SHEET 1 OF 1 |

SOURCE DRAWING - FOR REFERENCE ONLY