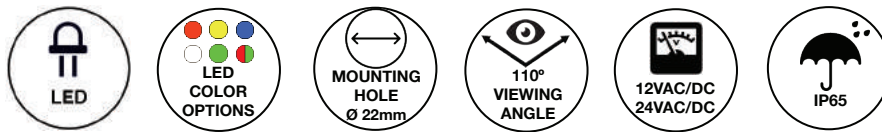




# PCL22 Series Ø 0.88" (22mm) Pilot Light LED Panel Mount Indicator



PCL22 Series features a and modern design led pilot light for advance light diffusion, in several colors for easy application in different environments



## Applications

- Industrial Machinery
- Transportation Dashboards
- Instrument Control Panels
- Maritime, Oil and Gas Industry
- Safety and Outdoor Applications
- Slot, Gaming and Vending Machines

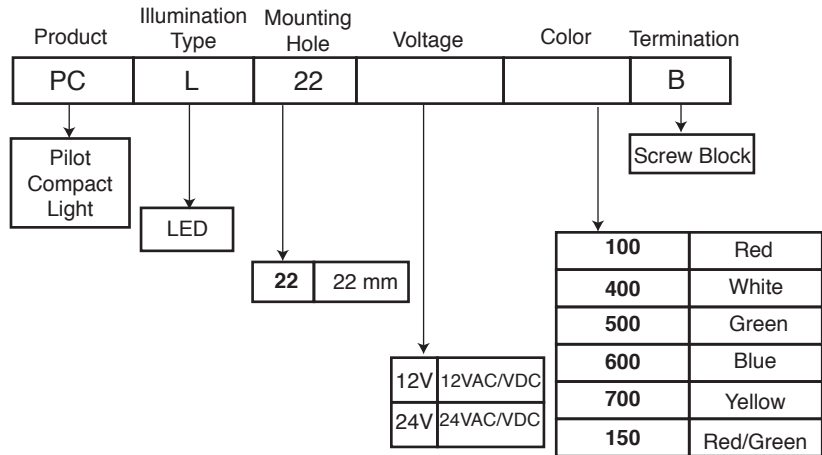
## Key Features

- For panel hole diameter: 0.88" (22mm)
- Low profile flat lenses for uniform illumination
- Mounting hardware provided: washer and nut
- Diffused translucent lenses provide uniform illumination
- Advance light diffusion technology which eliminate hot spots.
- Designed for extreme harsh and outdoor environments.
- Available in five solid colors (red, green, white, blue and yellow) and one bicolor (red/green).
- “Double D” mounting hole prevent any rotation of the Pilot Light while the nut is being installed.
- 2 voltage options: 12VAC/DC and 24VAC/DC
- Pilot lights feature a large lens for a wide viewing angle
- Maximum installation torque: 221 ft-lb (300 N-m)
- LED Life Expectancy: Approx. 50,000 hours
- IP65 protection rating protect panels against entry of dust and moisture
- Resistant to shock and vibration
- Retrofit solution: save energy and reduce costs
- Other colors are available upon request
- CE and CCC Mark Approvals
- RoHS and REACH Compliant

## Ordering Data

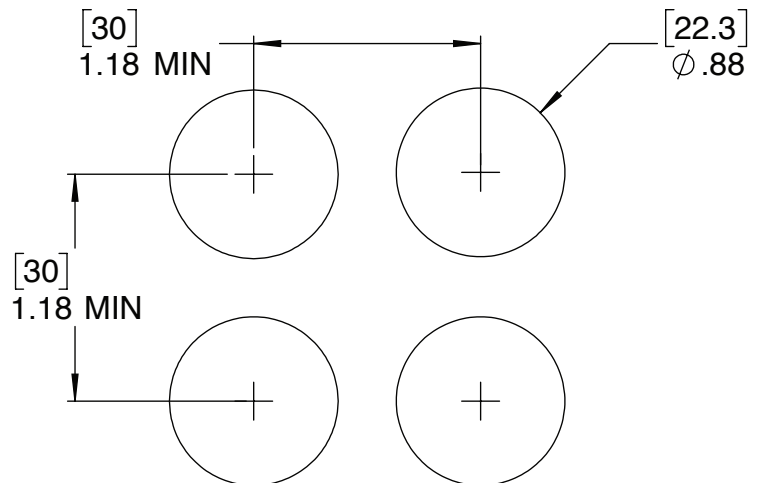
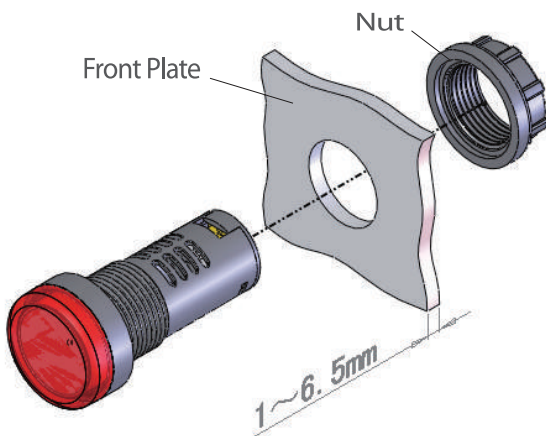
The PCL22 Series is available in a range of standard features and options. To specify your Panel Mount Indicator, select one option from each column.

| Part Numbers | Color/Voltage |
|--------------|---------------|
| PCL2212V100B | Red/12V       |
| PCL2212V400B | White/12V     |
| PCL2212V500B | Green/12V     |
| PCL2212V600B | Blue/12V      |
| PCL2212V700B | Yellow/12V    |
| PCL2212V150B | Red/Green/12V |
| PCL2224V100B | Red/24V       |
| PCL2224V400B | White/24V     |
| PCL2224V500B | Green/24V     |
| PCL2224V600B | Blue/24V      |
| PCL2224V700B | Yellow/24V    |
| PCL2224V150B | Red/Green/24V |



## Installation Diagrams

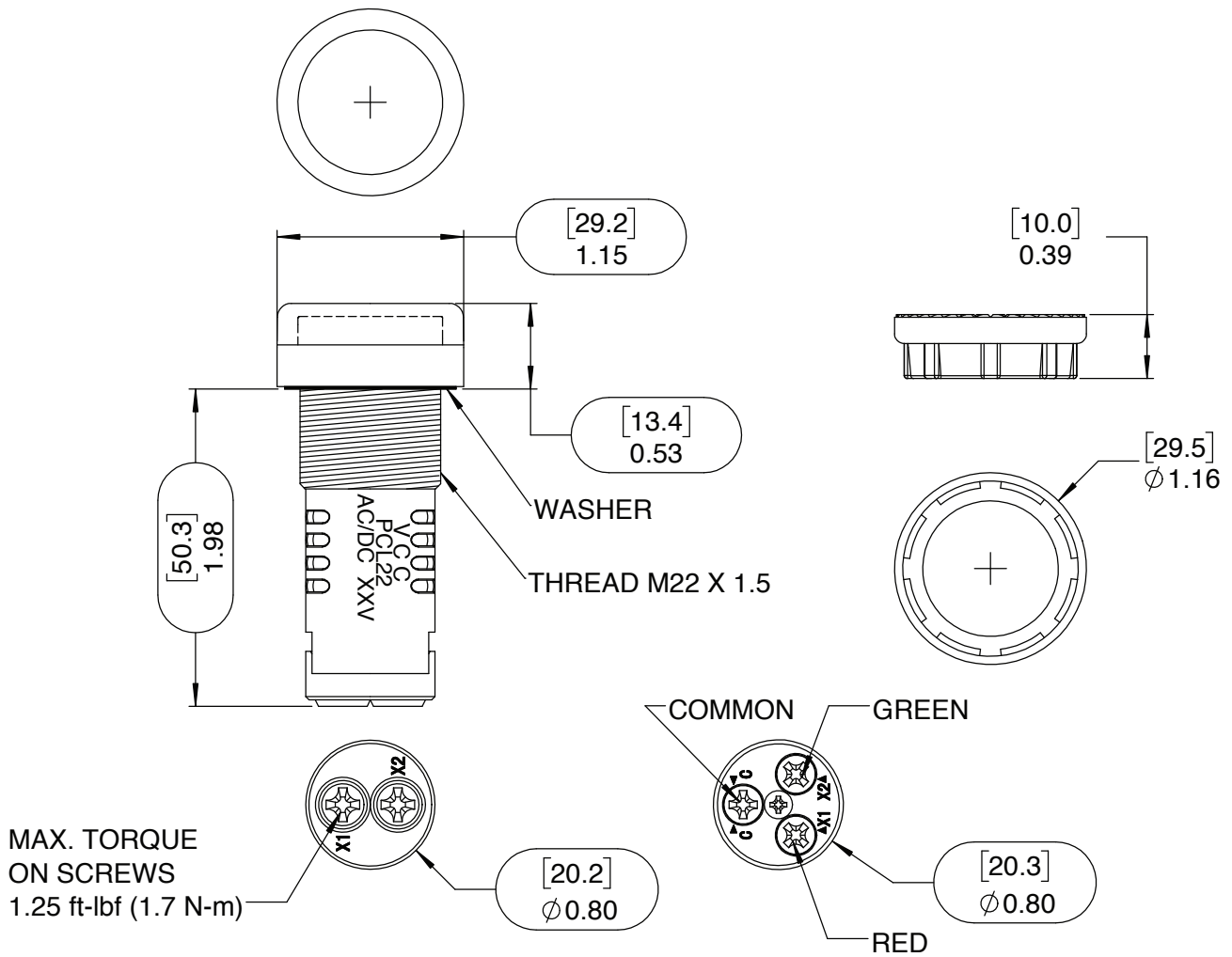
### Minimum Distance Required Between Mounting Holes



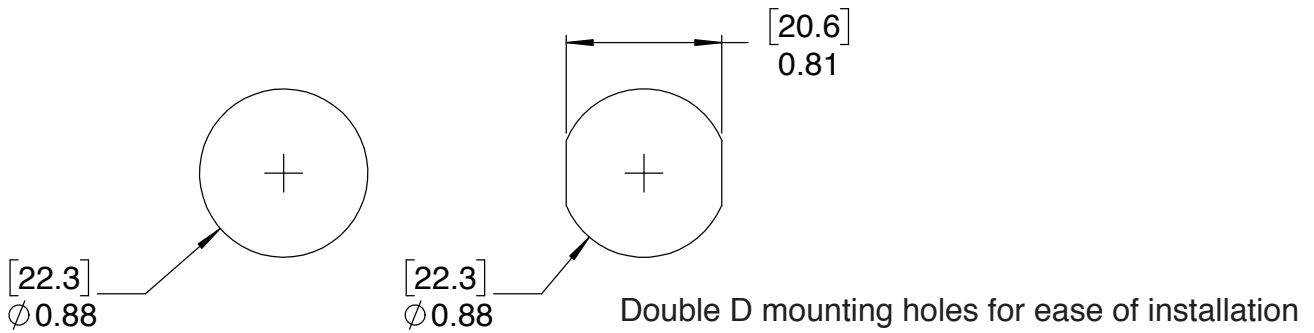
#### Notes:

1. All dimensions are in [millimeters] inches.
2. The specifications, characteristics and technical data described in the datasheet are subject to change without prior notice.

# Product Dimensions



## Recommended Mounting Holes



### Notes:

1. All dimensions are in [millimeters] inches.
2. Tolerance is  $\pm 0.4$  mm or  $\pm 0.02$  in.
3. The specifications, characteristics and technical data described in the datasheet are subject to change without prior notice.

## Product Specifications

| Materials |                                       |
|-----------|---------------------------------------|
| Housing   | Black Polyamide 66<br>UL 94 V-0       |
| Lens      | Transparent Polycarbonate<br>UL94 V-2 |
| Diffuser  | Acetal UL94 HB                        |

| Electrical Specifications |  |
|---------------------------|--|
| Wattage                   | 0.6W (for 12V Devices)<br>1.2W (for 24V Devices) |
| Operating Current         | 50mA (max.)                                      |
| Frequency                 | 50-60Hz  |

| Temperature Specifications |                                   |
|----------------------------|-----------------------------------|
| Operating Temperature      | -25°C to +55°C<br>-13°F to +131°F |
| Storage Temperature        | -25°C to +55°C<br>-13°F to +131°F |

| Installation Specifications      |                                      |
|----------------------------------|--------------------------------------|
| Mounting Hole                    | 0.880"<br>(22.3 mm)                  |
| Panel Thickness                  | 0.039" - 0.255"<br>(1mm - 6.5mm)     |
| Screw Block Bolt Torque Required | max. torque: 1.25 ft-lbf<br>(1.7 Nm) |
| Mounting Torque (max.)           | 221 ft-lbs (300 N-m)                 |

## Optical Ratings:

| Part Numbers | Color     | Viewing Angle | Luminosity (mcd) | Wavelength (nm) |
|--------------|-----------|---------------|------------------|-----------------|
| PCL22□V100B  | Red       | 110°          | ≥75              | 620-630         |
| PCL22□V400B  | White     | 110°          | ≥75              | 445-450         |
| PCL22□V500B  | Green     | 110°          | ≥75              | 515-517         |
| PCL22□V600B  | Blue      | 110°          | ≥75              | 462-465         |
| PCL22□V700B  | Yellow    | 110°          | ≥75              | 585-588         |
| PCL22□V150B  | Red/Green | 110°          | ≥75              | 620-630/515-517 |

## Compliances and Approvals

