

Active module - UM-FLK10-5RSC-24DC/DO/ROC800 - 2905960

Please be informed that the data shown in this PDF Document is generated from our Online Catalog. Please find the complete data in the user's documentation. Our General Terms of Use for Downloads are valid (<http://phoenixcontact.com/download>)

VARIOFACE module intended for use with the Emerson ROC800-series digital output modules



Why buy this product

- Three-level screw terminals for field wiring
- UM-PRO housing
- Per channel pluggable fusing, TE5 style
- Per channel blown fuse indication
- FLK10 connection on the control side
- Tested for continuity



Key Commercial Data

Packing unit	1 STK
GTIN	
GTIN	4055626047478

Technical data

Dimensions

Width	64 mm
Height	142.3 mm
Depth	78.9 mm

Ambient conditions

Ambient temperature (operation)	-40 °C ... 60 °C
Ambient temperature (storage/transport)	-40 °C ... 70 °C

General

Compatible components	Miniature relay, REL-MR- 24DC/21HC
With components	yes

Active module - UM-FLK10-5RSC-24DC/DO/ROC800 - 2905960

Technical data

Connection data for connection 1

Connection name	Controller level
Connection method	IDC/FLK pin strip
Number of connections	1
Number of positions	10
Pitch	2.54 mm

Connection data for connection 2

Connection name	Field level
Connection method	Screw connection
Stripping length	8 mm
Screw thread	M3
Conductor cross section solid	0.2 mm ² ... 4 mm ²
Conductor cross section flexible	0.2 mm ² ... 2.5 mm ²
Conductor cross section AWG	24 ... 12
Number of connections	18

Connection data for connection 3

Connection name	Supply
Connection method	Screw connection
Stripping length	8 mm
Screw thread	M3
Conductor cross section solid	0.2 mm ² ... 4 mm ²
Conductor cross section flexible	0.2 mm ² ... 2.5 mm ²
Conductor cross section AWG	24 ... 12
Number of connections	2

Supported controller

Corresponding control	Emerson ROC800
Corresponding I/O card	ROC800:DO

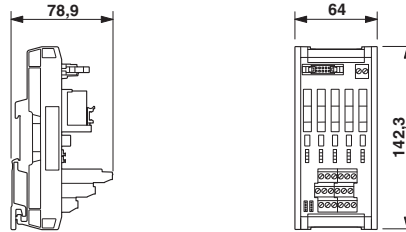
Environmental Product Compliance

China RoHS	Environmentally Friendly Use Period = 50
	For details about hazardous substances go to tab "Downloads", Category "Manufacturer's declaration"

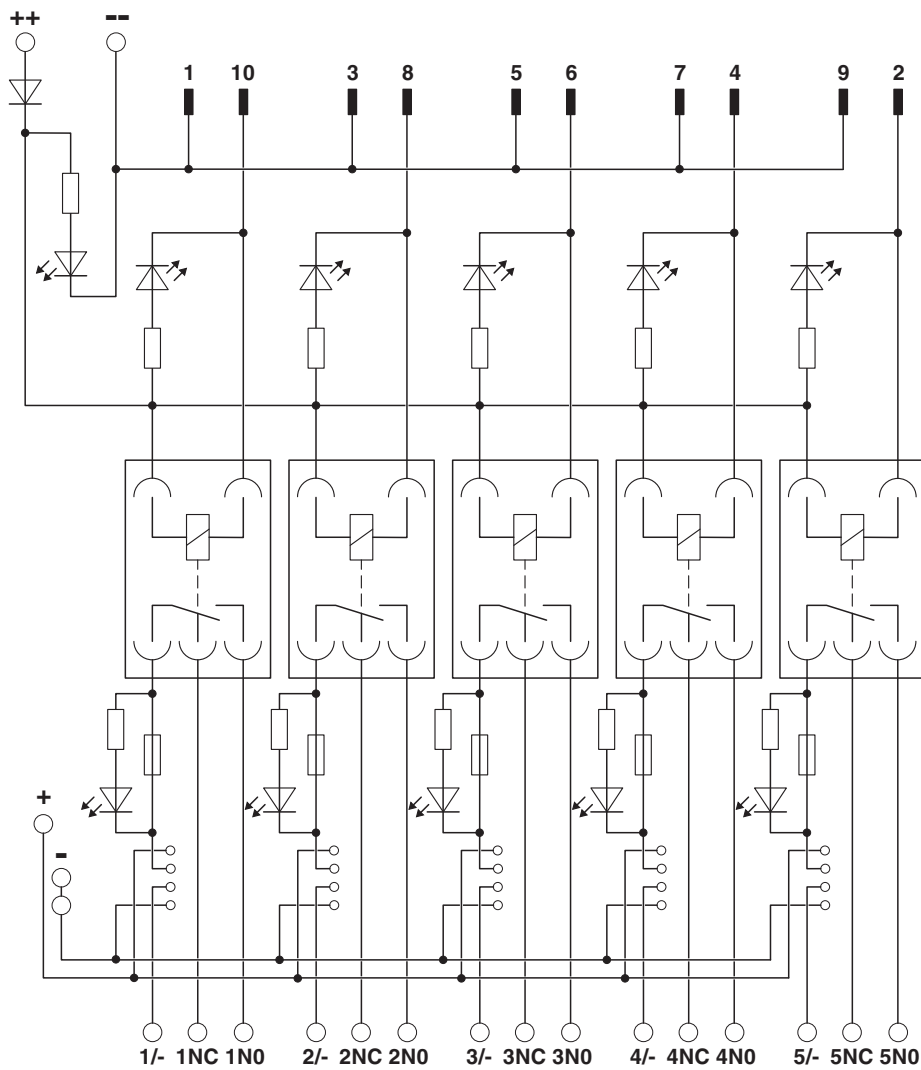
Drawings

Active module - UM-FLK10-5RSC-24DC/DO/ROC800 - 2905960

Dimensional drawing



Circuit diagram



Approvals

Approvals

Active module - UM-FLK10-5RSC-24DC/DO/ROC800 - 2905960

Approvals

Approvals

UL Recognized / cUL Recognized / cULus Recognized

Ex Approvals

Approval details

UL Recognized		http://database.ul.com/cgi-bin/XYV/template/LISEXT/1FRAME/index.htm	FILE E 238705
Nominal voltage UN		125 V	
Nominal current IN		2 A	
mm ² /AWG/kcmil		30-12	

cUL Recognized		http://database.ul.com/cgi-bin/XYV/template/LISEXT/1FRAME/index.htm	FILE E 238705
Nominal voltage UN		125 V	
Nominal current IN		2 A	
mm ² /AWG/kcmil		30-12	

cULus Recognized		http://database.ul.com/cgi-bin/XYV/template/LISEXT/1FRAME/index.htm	
------------------	--	---	--

Phoenix Contact 2018 © - all rights reserved
<http://www.phoenixcontact.com>

PHOENIX CONTACT GmbH & Co. KG
Flachsmarktstr. 8
32825 Blomberg
Germany
Tel. +49 5235 300
Fax +49 5235 3 41200
<http://www.phoenixcontact.com>