

Passive module - UM-FLK10/AO/FU/ROC800 - 2905937

Please be informed that the data shown in this PDF Document is generated from our Online Catalog. Please find the complete data in the user's documentation. Our General Terms of Use for Downloads are valid (<http://phoenixcontact.com/download>)




Varioface module intended for use with the ROC800 controller analog output cards

Why buy this product

- Three-level screw terminals for field wiring
- UM-PRO housing with grounding
- Per channel pluggable fusing, TE5 style, 200 mA
- Per channel blown fuse indication
- FLK10 connection on the control side
- Tested for continuity
- Integrated switching of 250 Ω resistor for current to voltage applications



Key Commercial Data

| | |
|--------------|---|
| Packing unit | 1 STK |
| GTIN |  4 055626 047454 |
| GTIN | 4055626047454 |

Technical data

Dimensions

| | |
|--------|---------|
| Width | 54 mm |
| Height | 92.3 mm |
| Depth | 78.9 mm |

Ambient conditions

| | |
|---|------------------|
| Ambient temperature (operation) | -40 °C ... 60 °C |
| Ambient temperature (storage/transport) | -40 °C ... 60 °C |

General

| | |
|------------------------------|---------|
| Max. perm. operating voltage | 24 V DC |
| Number of positions | 12 |

Passive module - UM-FLK10/AO/FU/ROC800 - 2905937

Technical data

General

| | |
|-------------------|-----|
| Mounting position | any |
|-------------------|-----|

Connection data for connection 1

| | |
|----------------------------------|---|
| Connection name | Field level |
| Connection in acc. with standard | IEC / EN |
| Connection method | Screw connection |
| Stripping length | 7 mm |
| Screw thread | M3 |
| Conductor cross section solid | 0.2 mm ² ... 4 mm ² |
| Conductor cross section flexible | 0.2 mm ² ... 2.5 mm ² |
| Conductor cross section AWG | 24 ... 12 |
| Number of positions | 6 |

Connection data for connection 2

| | |
|-----------------------|-------------------|
| Connection name | Controller level |
| Connection method | IDC/FLK pin strip |
| Number of connections | 1 |
| Number of positions | 10 |
| Pitch | 2.54 mm |

Supported controller

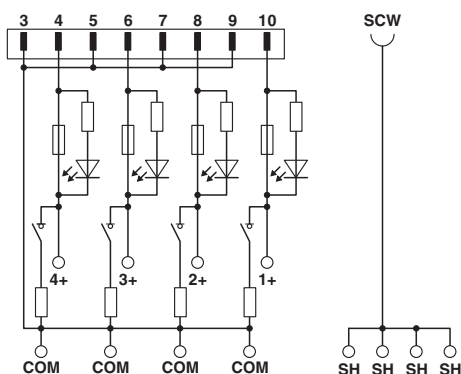
| | |
|---------------------|----------------|
| Controller | Emerson ROC800 |
| - suitable I/O card | ROC800 AO |

Environmental Product Compliance

| | |
|------------|---|
| China RoHS | Environmentally Friendly Use Period = 50 |
| | For details about hazardous substances go to tab "Downloads", Category "Manufacturer's declaration" |

Drawings

Circuit diagram



Passive module - UM-FLK10/AO/FU/ROC800 - 2905937

Approvals

Approvals

Approvals

UL Recognized / cUL Recognized / cULus Recognized

Ex Approvals

Approval details

| | | | |
|----------------------------|--|---|---------------|
| UL Recognized | | http://database.ul.com/cgi-bin/XYV/template/LISEXT/1FRAME/index.htm | FILE E 238705 |
| | | | |
| Nominal current IN | | 0.2 A | |
| mm ² /AWG/kcmil | | 30-12 | |

| | | | |
|----------------------------|--|---|---------------|
| cUL Recognized | | http://database.ul.com/cgi-bin/XYV/template/LISEXT/1FRAME/index.htm | FILE E 238705 |
| | | | |
| Nominal current IN | | 0.2 A | |
| mm ² /AWG/kcmil | | 30-12 | |

| | | | |
|------------------|--|---|--|
| cULus Recognized | | http://database.ul.com/cgi-bin/XYV/template/LISEXT/1FRAME/index.htm | |
|------------------|--|---|--|

Phoenix Contact 2018 © - all rights reserved
<http://www.phoenixcontact.com>

PHOENIX CONTACT GmbH & Co. KG
Flachsmarktstr. 8
32825 Blomberg
Germany
Tel. +49 5235 300
Fax +49 5235 3 41200
<http://www.phoenixcontact.com>