

Passive module - UM-FLK10/AI/FU/ROC800 - 2905935

Please be informed that the data shown in this PDF Document is generated from our Online Catalog. Please find the complete data in the user's documentation. Our General Terms of Use for Downloads are valid (<http://phoenixcontact.com/download>)




Varioface module intended for use with the ROC800 controller analog input cards

Why buy this product

- Two-level screw terminals for field wiring
- UM-PRO housing with grounding
- Per channel pluggable fusing, TE5 style, 200 mA
- Per channel blown fuse indication
- FLK10 connection on the control side
- Tested for continuity
- Integrated switching of 250 Ω resistor for current to voltage applications



Key Commercial Data

Packing unit	1 STK
GTIN	 4 055626 047447
GTIN	4055626047447

Technical data

Dimensions

Width	69 mm
Height	92.3 mm
Depth	65.5 mm

Ambient conditions

Ambient temperature (operation)	-40 °C ... 60 °C
Ambient temperature (storage/transport)	-40 °C ... 60 °C

General

Max. perm. operating voltage	24 V DC
Number of positions	16

Passive module - UM-FLK10/AI/FU/ROC800 - 2905935

Technical data

General

Mounting position	any
-------------------	-----

Connection data for connection 1

Connection name	Field level
Connection in acc. with standard	IEC / EN
Connection method	Screw connection
Stripping length	7 mm
Screw thread	M3
Conductor cross section solid	0.2 mm ² ... 4 mm ²
Conductor cross section flexible	0.2 mm ² ... 2.5 mm ²
Conductor cross section AWG	24 ... 12
Number of positions	16

Connection data for connection 2

Connection name	Controller level
Connection method	IDC/FLK pin strip
Number of connections	1
Number of positions	10
Pitch	2.54 mm

Supported controller

Controller	Emerson ROC800
- suitable I/O card	ROC800 AI

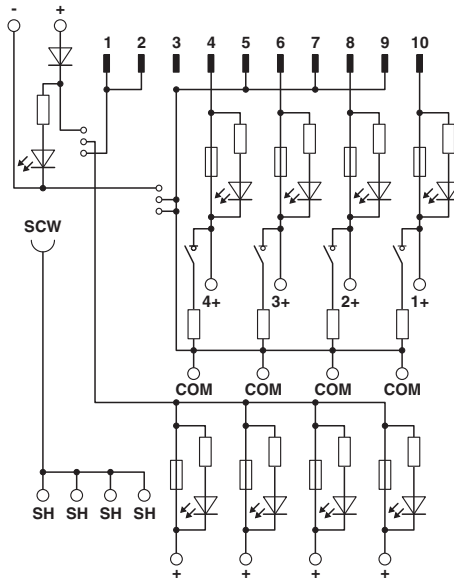
Environmental Product Compliance

China RoHS	Environmentally Friendly Use Period = 50
	For details about hazardous substances go to tab "Downloads", Category "Manufacturer's declaration"

Drawings

Passive module - UM-FLK10/AI/FU/ROC800 - 2905935

Circuit diagram



Approvals

Approvals

Approvals

UL Recognized / cUL Recognized / cULus Recognized

Ex Approvals

Approval details

UL Recognized		http://database.ul.com/cgi-bin/XYV/template/LISEXT/1FRAME/index.htm	FILE E 238705
mm ² /AWG/kcmil	30-12		
Nominal current I _N	0.2 A		
Nominal voltage U _N	24 V		

cUL Recognized		http://database.ul.com/cgi-bin/XYV/template/LISEXT/1FRAME/index.htm	FILE E 238705
mm ² /AWG/kcmil	30-12		

Passive module - UM-FLK10/AI/FU/ROC800 - 2905935

Approvals

Nominal current I _N	0.2 A
Nominal voltage U _N	24 V

cULus Recognized



<http://database.ul.com/cgi-bin/XYV/template/LISEXT/1FRAME/index.htm>

Phoenix Contact 2018 © - all rights reserved
<http://www.phoenixcontact.com>

PHOENIX CONTACT GmbH & Co. KG
Flachsmarktstr. 8
32825 Blomberg
Germany
Tel. +49 5235 300
Fax +49 5235 3 41200
<http://www.phoenixcontact.com>