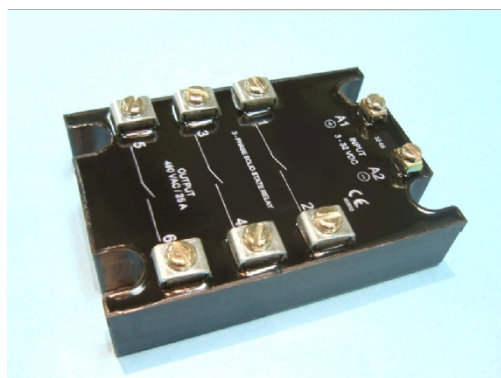


Solid State Relays

Datasheet 9225126


Features

| | |
|---------------------|---|
| Switching | Zero-cross and Random |
| Output | Back to back SCR |
| INPUT | DC |
| Applications | Three phase loads (motors, transformers) resistive and inductive loads with $\cos\phi > 0.85$ (Z-type) inductive load (R-type) |

Technical data
Input circuit

| | |
|------------------------|------------------|
| Control voltage range | 3...32 VDC |
| Control current max | 25 mA |
| Turn-off voltage min.. | 1 VDC |
| Input resistance | Constant current |

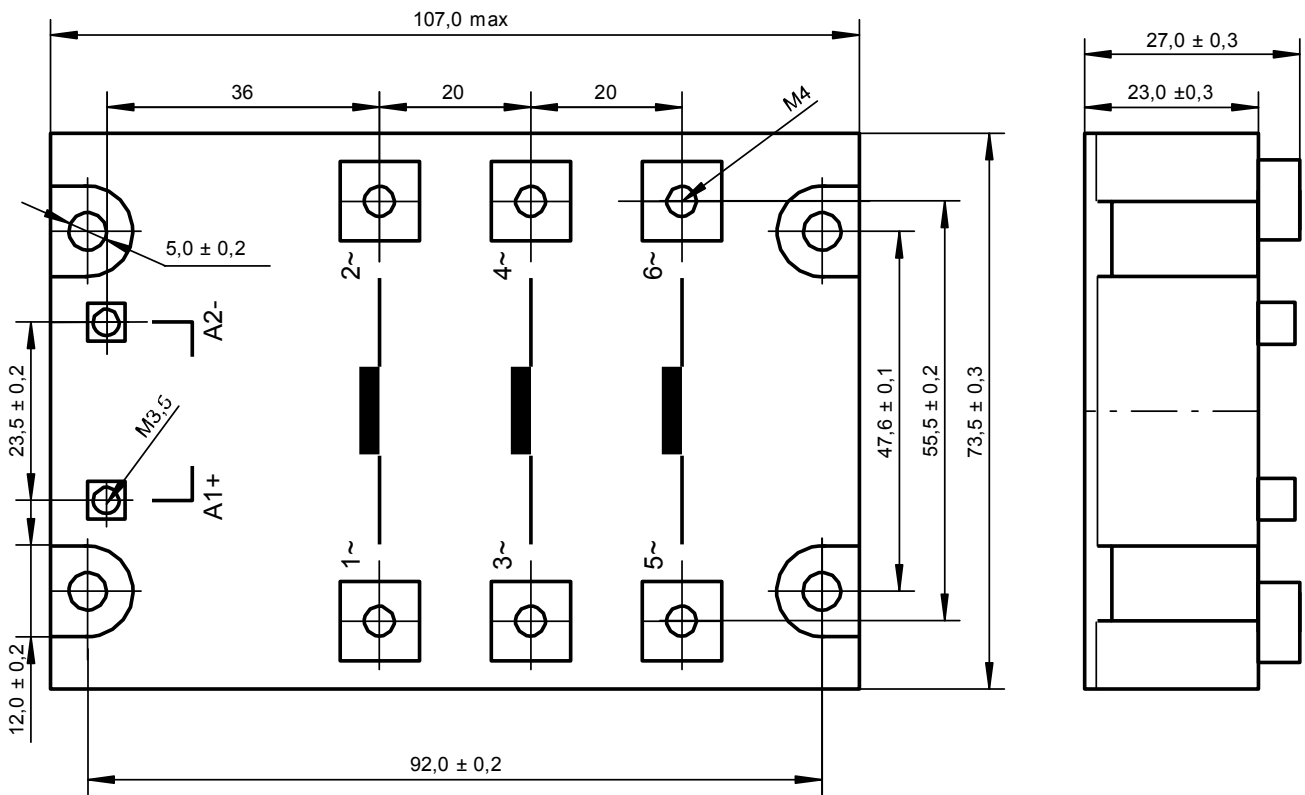
Output circuit

| | |
|-----------------------------|-----------------------|
| Load voltage Range | 48...480 VAC |
| Peak-off state votage | 1200 V _{drm} |
| Off-state leakage current | 10 mA eff. |
| Load current range | 0,1..10 A |
| Surge current 1 half wave | 110 A _{peak} |
| I ² t for fusing | 60A ² s |
| On-state voltage | 1,6 V _{peak} |
| Off-state (static) dv/dt | 1000 V/μs |
| Snubber | 47 Ω / 10 nF |

General data

| | |
|---|---------------|
| Turn-on time max. | 0,1 ms |
| Turn-off time max. | 11 ms |
| Line frequency range. | 47...63 Hz |
| Isolation volt. between input/output | 4.000 V |
| Isolation volt. between input-output/base | 2.500 V |
| Isolation resistance | 50 MΩ |
| Operating temperature | -20...+80 °C |
| Recommended varistor | SIOV-S20 K420 |
| Approvals | |

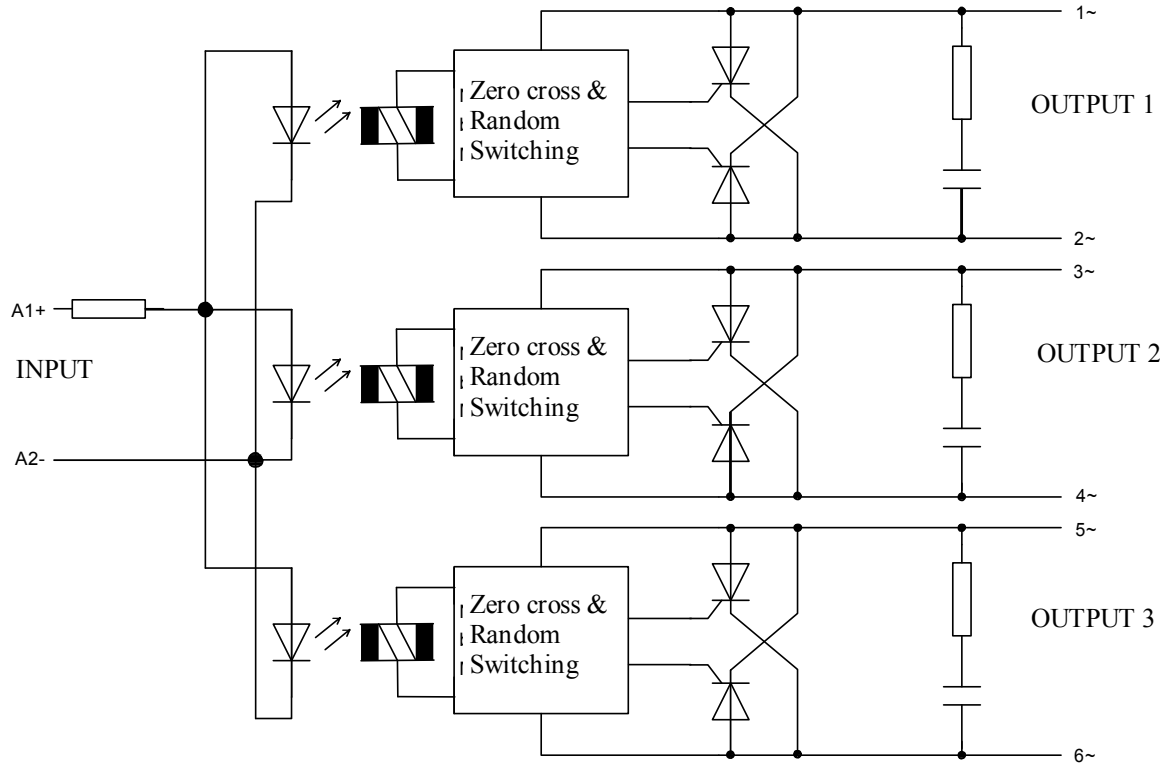
Dimensions in mm



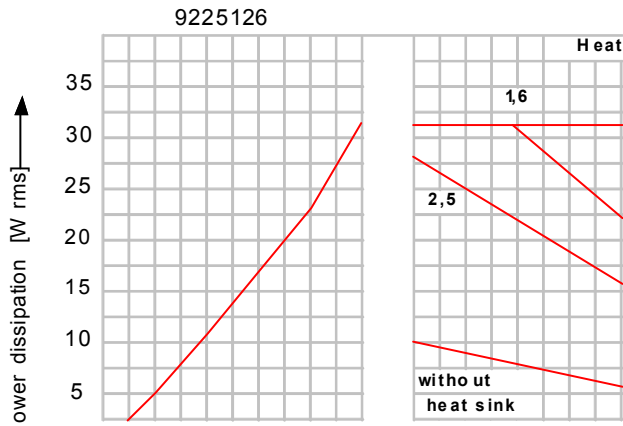
Housing specification

| | |
|------------------|---|
| Weight | Approx. 430 g. |
| Housing material | Glass filled polyester |
| Potting compound | UL recognized Epoxy |
| Base plate | Aluminium , nickel plated |
| Terminals | Input : M3,5-screws Output : M4-screws |

Circuit diagram

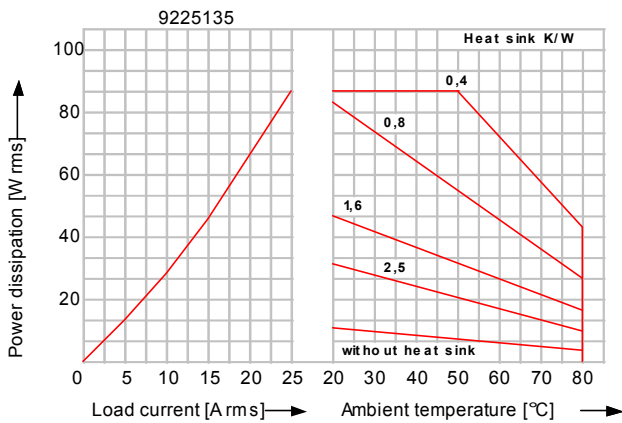


Derating-diagrams



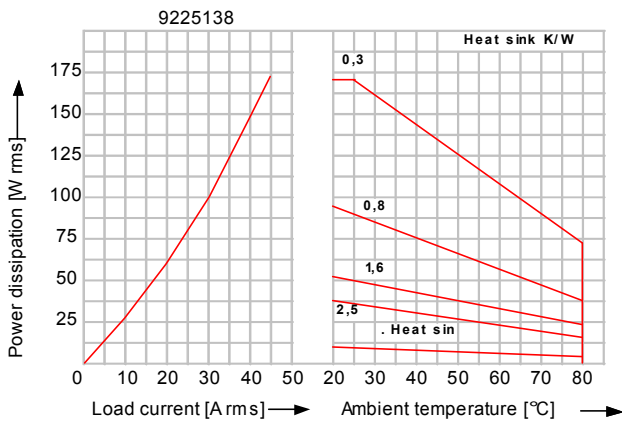
| Load current for 1 SSR | |
|------------------------|------|
| Heat sink | |
| 9225236 | 6 A |
| 9225239 | 10 A |
| 9225233 | 10 A |

Values for 40°C enclosure-temperature and mounted with conduction paste between the SSR and the heat sink



| Load current for 1 SSR | |
|------------------------|------|
| Heat sink | |
| 9225236 | 6 A |
| 9225239 | 16 A |
| 9225233 | 25 A |

Values for 40°C enclosure-temperature and mounted with conduction paste between the SSR and the heat sink



| Load current for 1 SSR | |
|------------------------|------|
| Heat sink | |
| 9225236 | 6 A |
| 9225239 | 17 A |
| 9225233 | 42 A |

Values for 40°C enclosure-temperature and mounted with conduction paste between the SSR and the heat sink