

Datasheet

RS Stock No. 9146953

## RS Pro Micro High Flow Centrifugal Pump

### Overview : Micro, Low Pressure, High Flow, Liquid Pump Range

The M100 series range of pumps are constructed from precision CNC machined aluminium alloy with stainless steel tubing connectors. The M100 range is fitted with Viton seals as standard. Alternative seal materials and optional wetted part coatings and materials are also available enabling this pump range to resist most chemicals and solvents. The pump uses efficient push fit connectors designed for 2.4mm bore flexible tubing. A 220mm electrical fly-lead is fitted as standard.

### Pump Variants

**M100S** - Standard pump suitable for most applications**M100P2 and P4** - Super efficient pumps for fixed 6V supply**M100S-180** - Standard pump for inline flow connection**M100S-SUB** - Pump for submersion in pumping medium

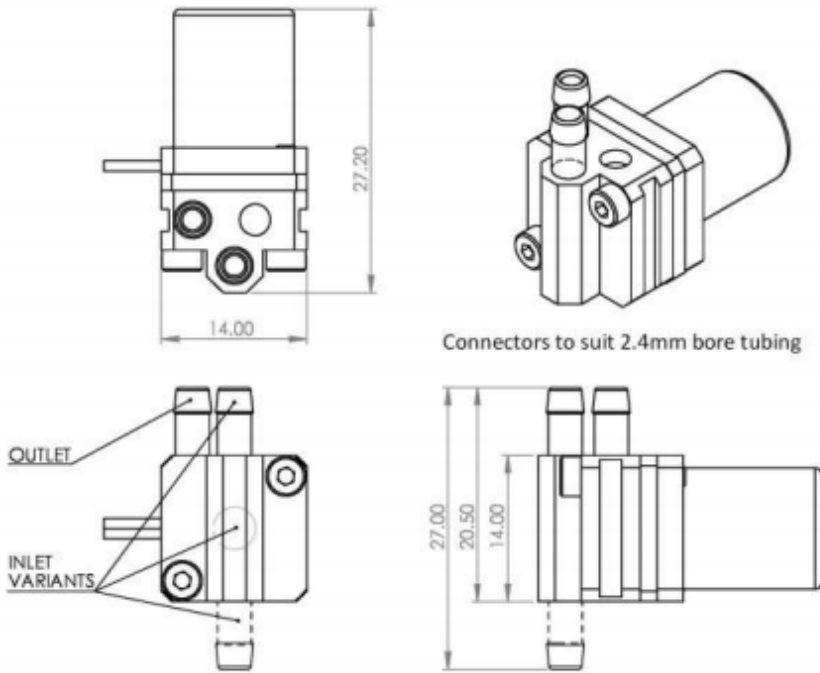
### Typical Applications

- Medical devices
- Lubrication systems
- Fuel Cells
- Battery and Solar Powered Systems
- Cooling Systems
- Low Pressure Fuel Pump

### Features

- CNC aluminum alloy construction
- Quiet pulseless smooth flow
- Small size only 28 x 14 x 14 mm
- Weight 10g
- Free flow up to 400ml per minute (water)
- Power by Solar supply, PSU or batteries
- Wide range of chemical resistance

Datasheet  
RS Stock No. 9146953



**Materials**

**Wetted Parts**

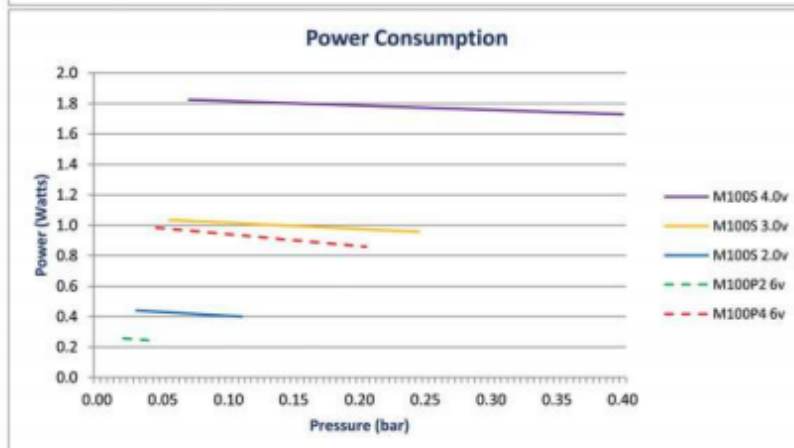
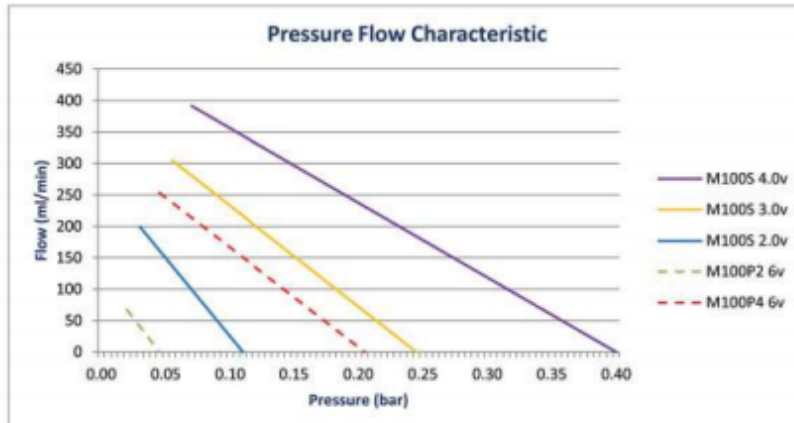
- Anodised 6000 Series Aluminum
- 316 Stainless Steel
- Viton or EPDM
- Polyacetal

**Other**

- Materials typical to 3 pole DC motor

**Performance Data**

- **Small Size** 14 x 14 x 28mm
- **Weight** 9 - 11 g
- **Oppertaing Temp** -20 to 100 deg C
- **Smooth Pulseless Flow**
- **IP Rating - Standard pumps** IP45  
**Waterproof pumps** IP67
- **Noise Levels** <1dB  
Measured at a distance of 1m with a 50dB ambient noise level
- **MTBF Stock Pumps** 1,000hrs  
**Special variants available to order** 10,000hrs



Variant	Input (v)	Power (W)	Flow (mLpm)	Pressure (mbar)
M100S	4	1.8	398	399
	3	1.1	309	246
	2	0.5	93	125

* M100P2	6	0.25	68	22
----------	---	------	----	----

M100 P4	6	0.98	257	48
---------	---	------	-----	----

\* NOTE - The M100P2 is a VERY low flow pump