

Datasheet

RS Stock No. 9146950

## RS Pro Micro High Flow Centrifugal Pump

### Overview : Micro, Low Pressure, High Flow, Liquid Pump Range

The M200 series range of pumps are constructed from precision CNC machined aluminium alloy with stainless steel tubing connectors. The M200 range is fitted with Viton seals as standard. Alternative seal materials and optional wetted part coatings and materials are also available enabling this pump range to resist most chemicals and solvents. The pump uses efficient push fit connectors designed for 3.2mm flexible tubing. A 220mm electrical fly-lead is fitted as standard.

### Pump Variants



M200S - Standard pump suitable for most applications



M200P2 and P4 - Super efficient pumps for fixed 6V supply



M200S-180 - Standard pump for inline flow connection



M200S-SUB - Pump for submersion in pumping medium

### Typical Applications

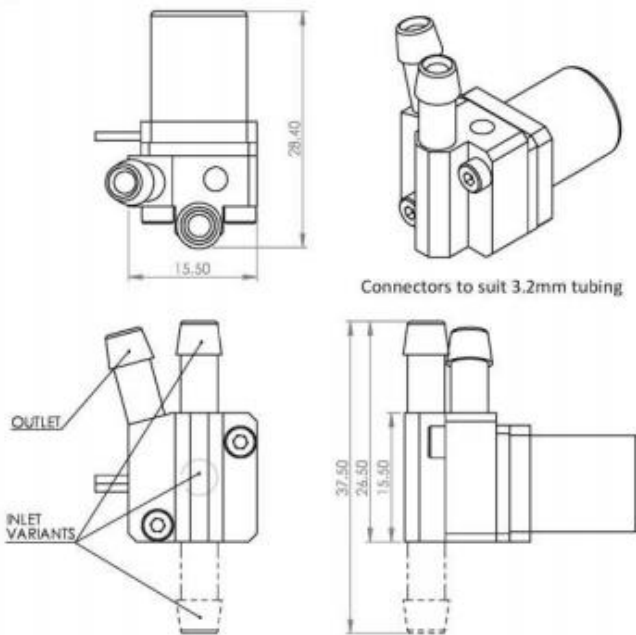
- Medical devices
- Fuel Cells
- Battery and Solar Powered Systems
- Cooling Systems
- Low Pressure Fuel Pump
- Lubrication systems

### Features

- CNC aluminum alloy construction
- Quiet pulseless smooth flow
- Small size only 29 x 16 x 16 mm
- Weight 11 - 13g
- Free flow up to 660ml per minute (water)
- Power by Solar supply, PSU or batteries
- Wide range of chemical resistance

# Datasheet

## RS Stock No. 9146950



### Materials

#### Wetted Parts

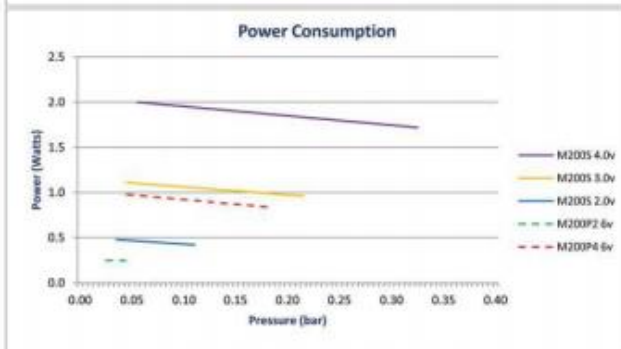
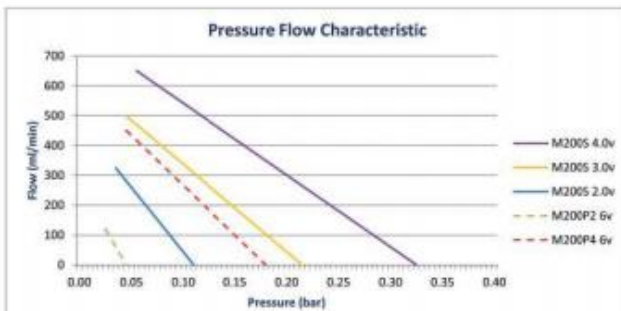
- Anodised 6000 Series Aluminium
- 316 Stainless Steel
- Viton or EPDM
- Polyacetal

#### Other

- Materials typical to 3 pole DC motor

### Performance Data

- Small Size 16 x 16 x 29mm
- Weight 11-13 g
- Operating Temp -20 to 100 deg C
- Smooth Pulseless Flow
- IP Rating - Standard pumps IP45  
Waterproof pumps IP67
- Noise Levels <1dB  
Measured at a distance of 1m with a 50dB ambient noise level
- MTBF Stock Pumps 1,000hrs  
Special Variants available to order >10,000hrs



Variant	Input (v)	Power (W)	Flow (mlpm)	Pressure (mbar)
M2005	4	2	661	323
	3	1.1	507	212
	2	0.5	330	110
* M200P2	6	0.25	122	43
M200 P4	6	0.98	458	185

\* NOTE - The M200P2 is a VERY low flow pump