

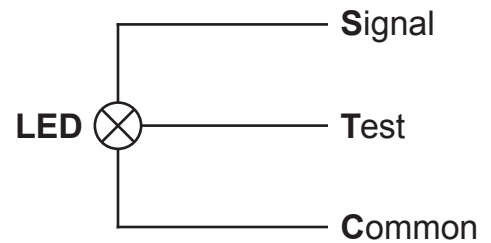
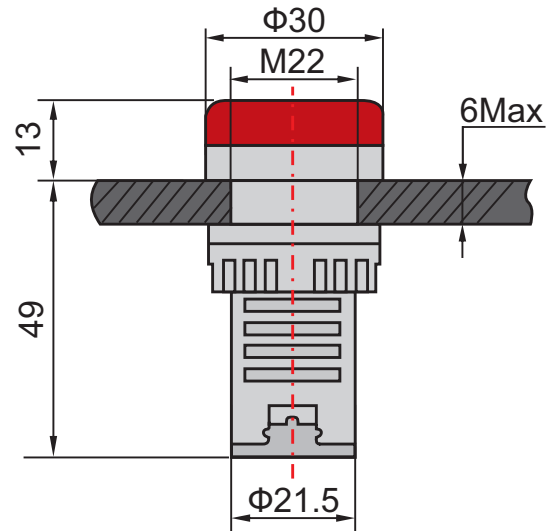
# Datasheet

## LED Indicator 22mm Red 110Vac/dc Test Circuit

RS Stock Number: 909-2516



Representative of range



### Technical Specification

Colour	Red
Nominal Voltage ( $V_n$ )	110V ac/dc
Operating Voltage Range	$V_n \pm 15\%$
Frequency (ac)	50 - 60Hz
Insulation Resistance	$\geq 2M\Omega$
Insulation Withstand	2.5kVac, 1 minute
Current Draw	$\leq 20mA$
IP Rating (from front, panel mounted)	IP65
Brightness	$\geq 60 \text{ cd/m}^3$
Operational Life	30,000 hours
Relative Humidity	$\leq 98\%$
Operating Temperature Range	-25°C to +55°C