

DATA SHEET

RS ESSENTIALS SPEAKER

RS Stock Code: 1176046

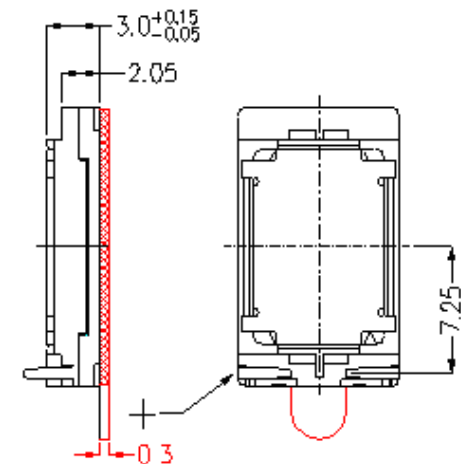
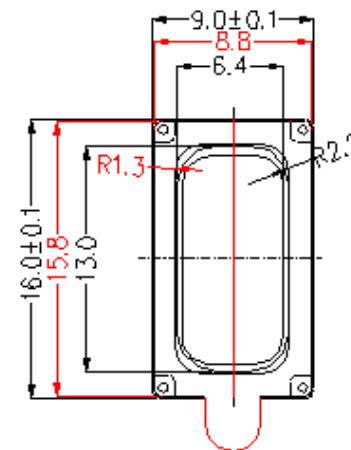
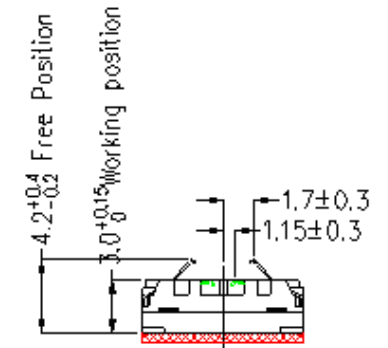
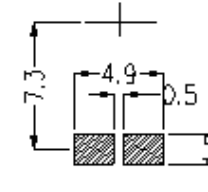
Specifications

Rated impedance	8±15%Ω
Rated input power	0.7W
Maximum input power	1.0W
Resonant frequency at 2.0Vrms/0.1m in 1cc box	850±20%Hz
Frequency range	FoHz -10,000Hz
Sound pressure level at 2.0Vrms/0.1m at 2.0kHz	88±3dB
Total harmonic distortion at 1KHz, 2.0Vrms/0.1m	10%Max
Flux density	0.4T
Operating temperature	-30~+70°C
Storage temperature	-40~+85°C
Weight	1.5g

Material

Frame - PBT	Plate - SPCC
Yoke - SPCC	Magnet - NdFeB
Diaphragm - PEEK	Front Cover - PBT
Voice coil - Copper Wire	Spring Terminal x 2 - SUS

contact layout

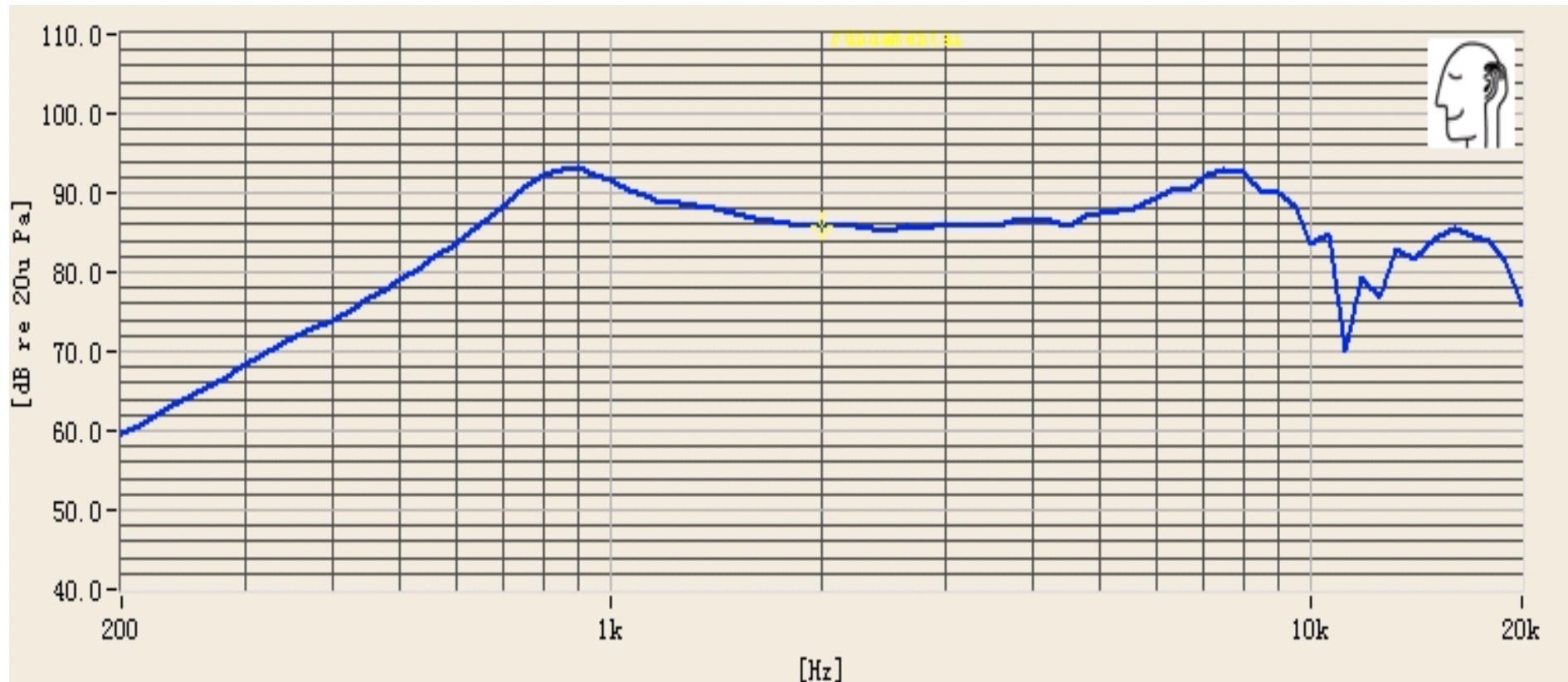


Dimensions Unit: mm

Frequency Response Curve

SPEAKERS

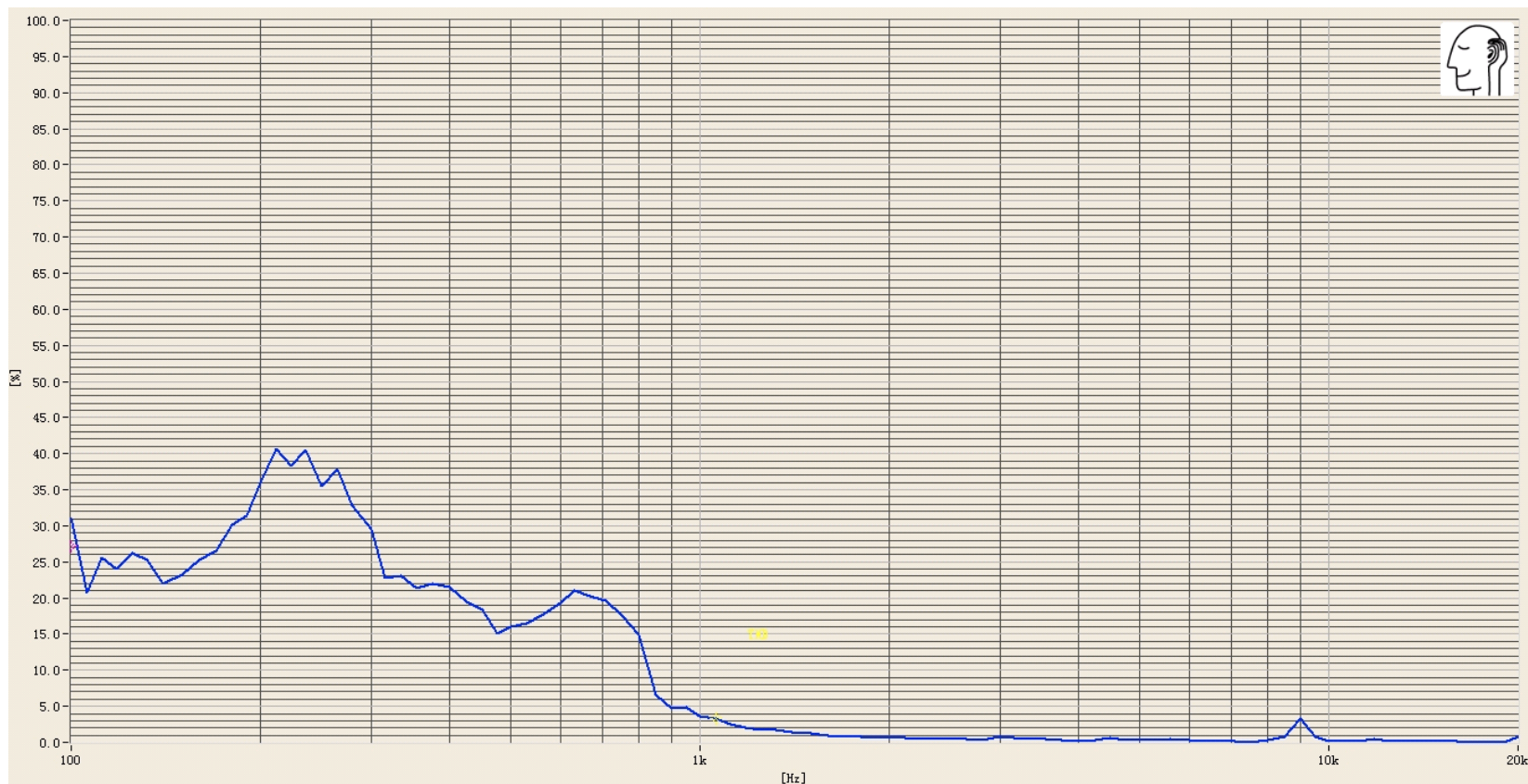
2.0Vrms/10cm in 1cc box



Speaker Distortion Curve

SPEAKERS

2.0Vrms/10cm in 1cc box



Impedance Response Curve

SPEAKERS

2.0Vrms/10cm

