

4

3

2

1

THIS DRAWING IS UNPUBLISHED. RELEASED FOR PUBLICATION 20
© COPYRIGHT 20 BY - ALL RIGHTS RESERVED.

REVISIONS					
P	LTR	DESCRIPTION	DATE	DWN	APVD
	2	ADD NOTE 2, UPDATE TABLE	28JUL2016	VL	
	3	REMOVE CORNER HOLE	01SEP2016	VL	SS
	A	DRAWING RELEASED	21APR2017	VL	SS
	A1	REVISED PER ECO-17-007644	26MAY2017	VL	SS

D

D

C

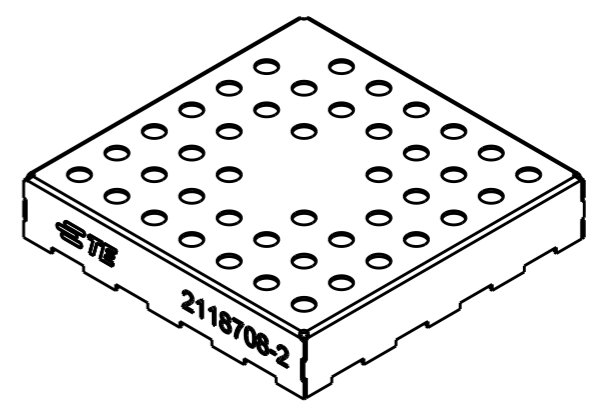
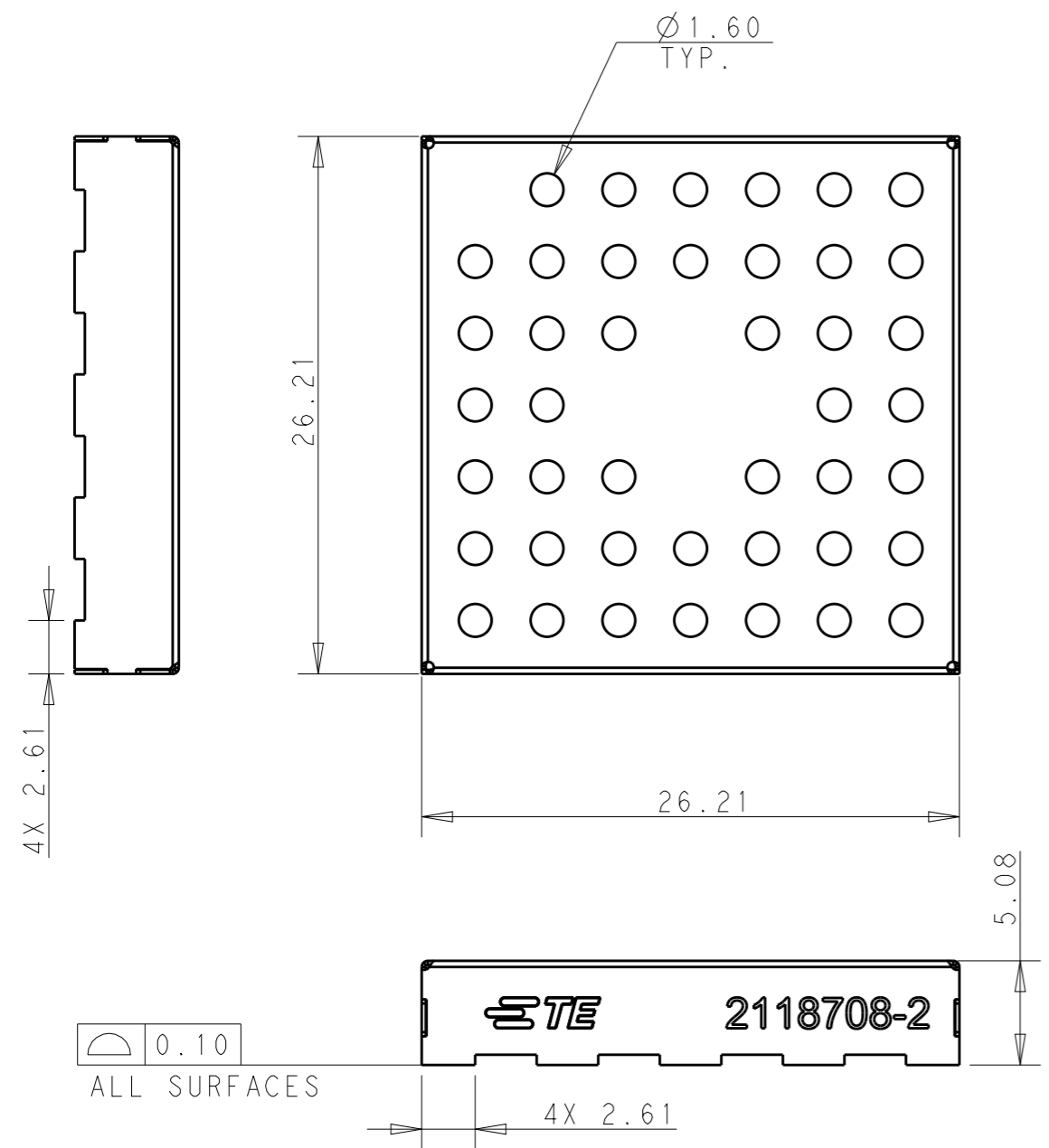
C

B

B

A

A



NOTES:

- 1 MATERIAL: 0.20mm CRS. 1,25 - 3.00µm MATTE TIN FINISH.
- 2 MATERIAL: 0.20mm AL. 1.20 - 2.00µm MATTE TIN FINISH OVER NICKEL FLASH.
- 3 STAMPING BURR OUTSIDE OF PART, MAX 0.05mm.
- 4 PARTS TO BE FREE OF OIL AND CONTAMINENTS.
- 5 PART IS RoHS COMPLIANT PER TE CONNECTIVITY STANDARD TEC-138-702.
- 6 REFER TO 3D MODEL FOR UNSPECIFIED DIMENSIONS.
- 7 PACKAGING: TAPE AND REEL

7	2	2118708-4
7	1	2118708-2
PACKAGING	MATERIAL	PART NUMBER

THIS DRAWING IS A CONTROLLED DOCUMENT.		DWN V. LAC 07APR2016	TE Connectivity	
DIMENSIONS: mm		CHK S. SU 21APR2017		
TOLERANCES UNLESS OTHERWISE SPECIFIED:		APVD V. LAC 21APR2017	NAME 1 PIECE STANDARD SHIELD	
0 PLC ±0.20		PRODUCT SPEC 108-115119	SIZE A3	
1 PLC ±0.15		APPLICATION SPEC -	CAGE CODE -	
2 PLC ±0.10		WEIGHT -	DRAWING NO C-2118708	
3 PLC ±		CUSTOMER DRAWING	RESTRICTED TO -	
4 PLC ±		SCALE 3:1	SHEET 1 OF 3	
ANGLES ±2		FINISH SEE TABLE	REV A1	
MATERIAL SEE TABLE				

THIS DRAWING IS UNPUBLISHED.

RELEASED FOR PUBLICATION

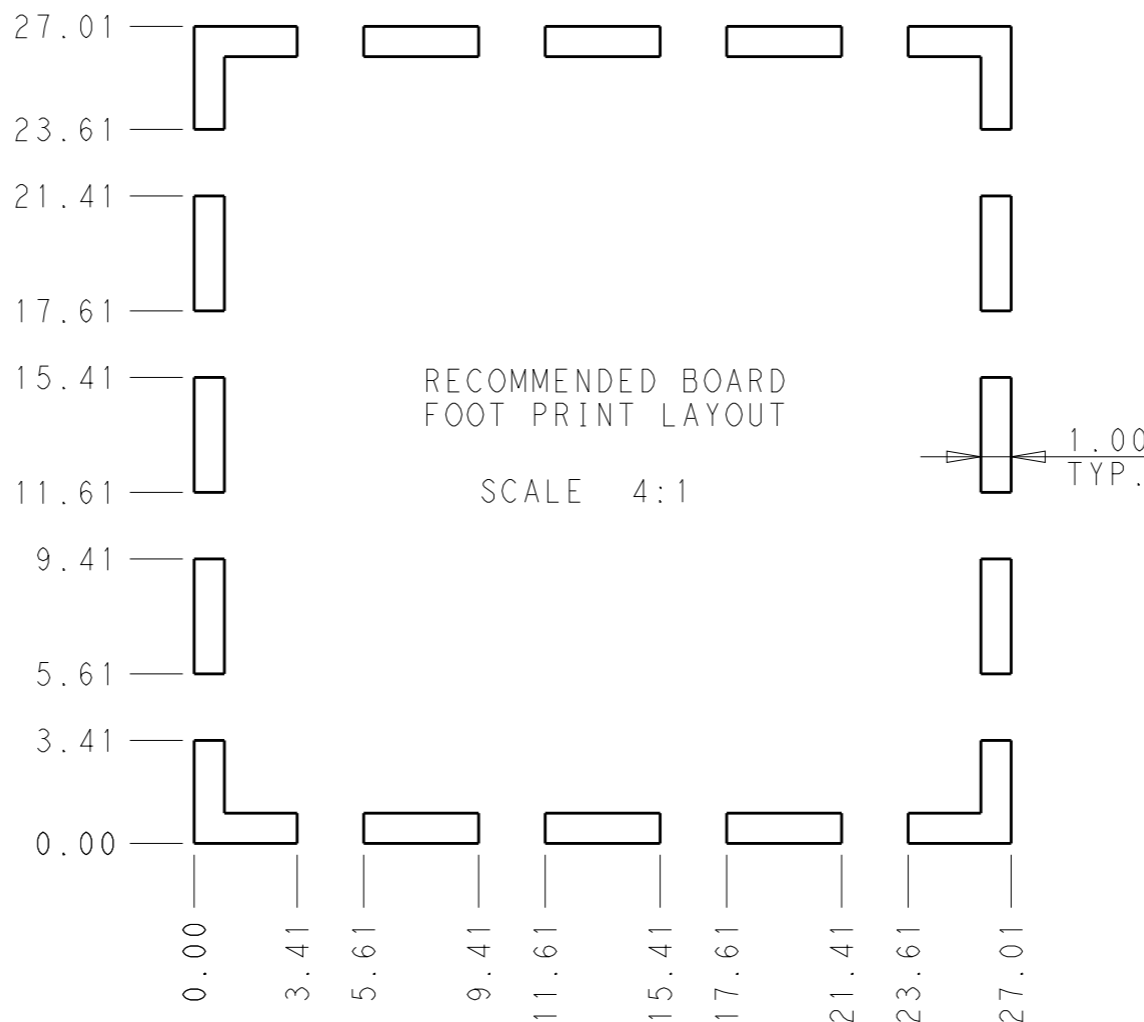
20

© COPYRIGHT 20 BY -

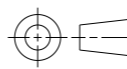
ALL RIGHTS RESERVED.

REVISIONS

P	LTR	DESCRIPTION	DATE	DWN	APVD
-		SEE SHEET 1	-	-	-

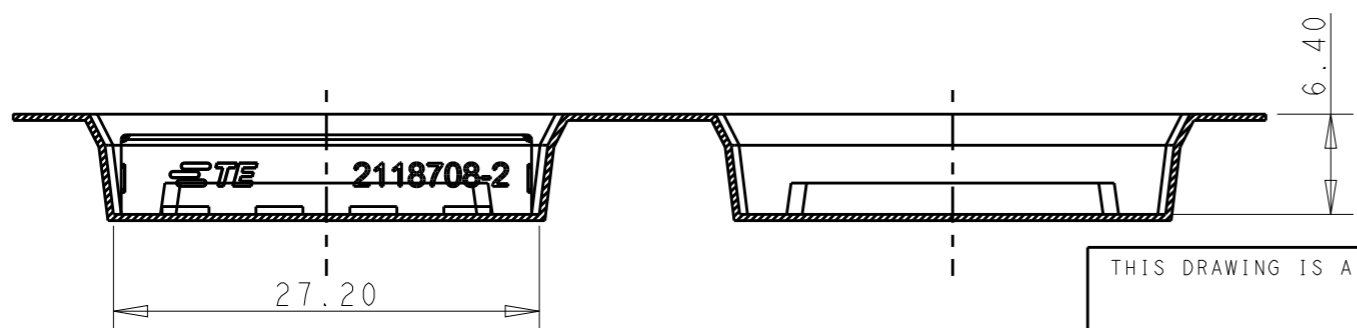
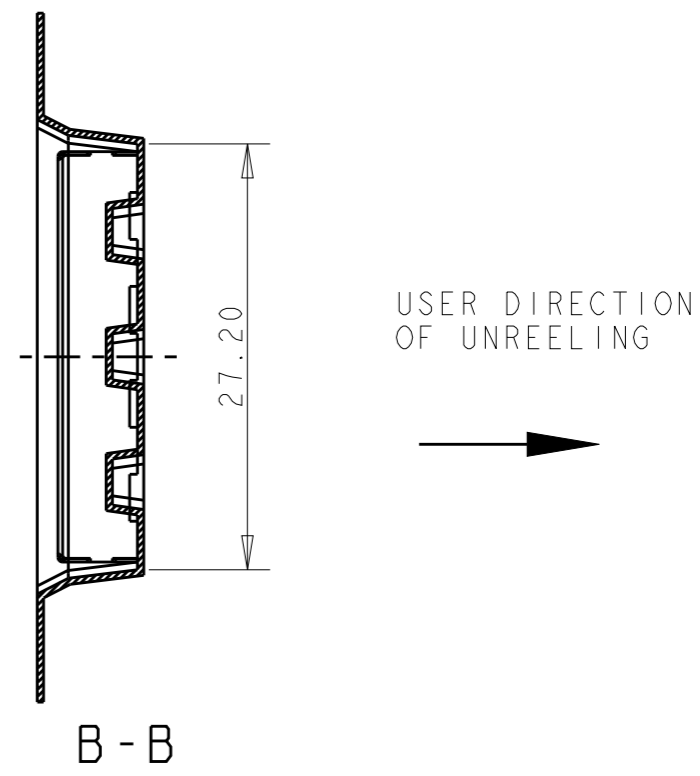
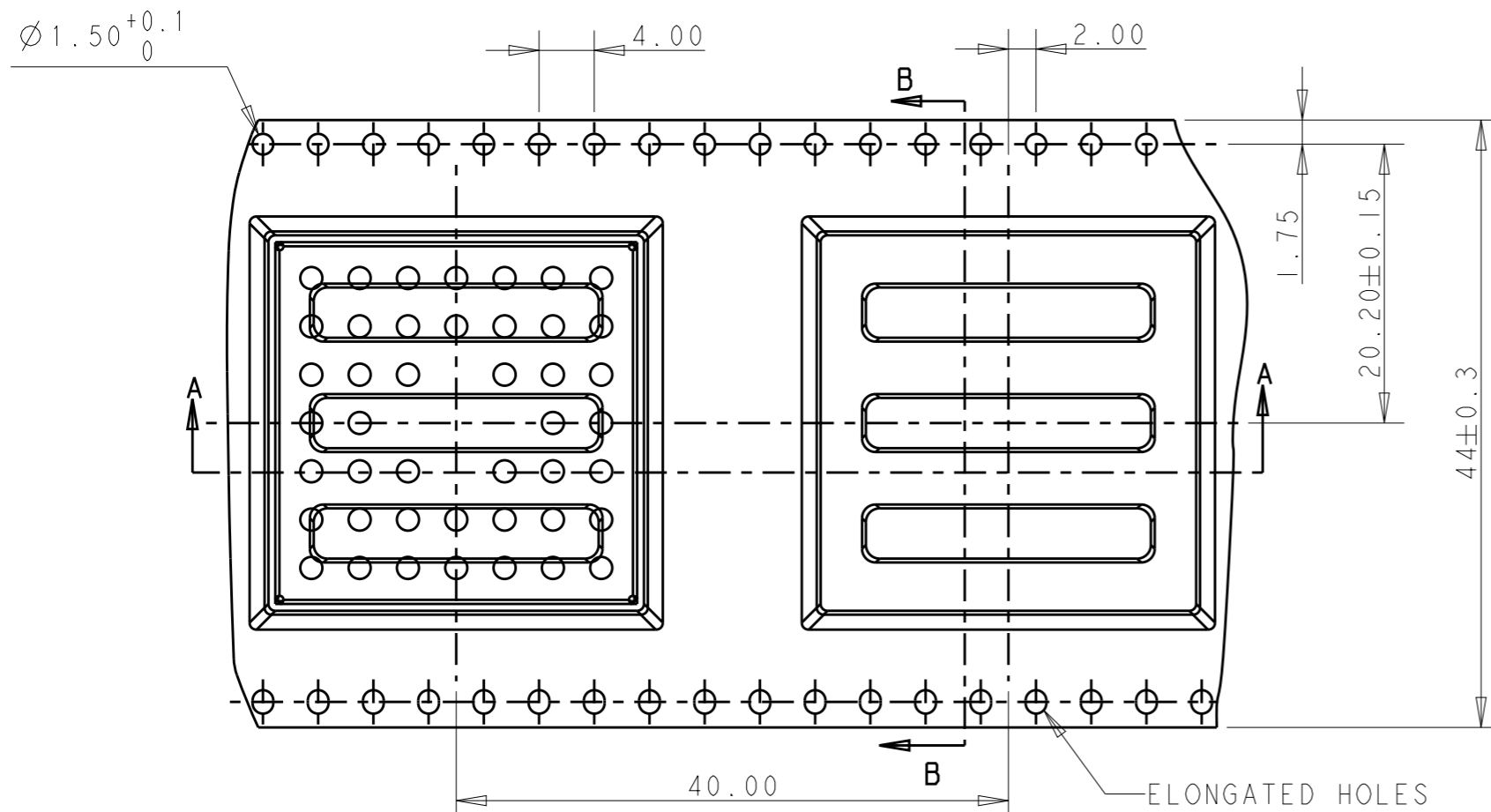


NOTES:
8. STENCIL THICKNESS: 0.10mm MIN.


THIS DRAWING IS A CONTROLLED DOCUMENT.		DWN V. LAC 07APR2016	STE TE Connectivity		
DIMENSIONS: mm		CHK S. SU 21APR2017	NAME 1 PIECE STANDARD SHIELD		
		APVD V. LAC 21APR2017			
		PRODUCT SPEC 108-115119	SIZE A3		
		APPLICATION SPEC -			
MATERIAL SEE TABLE		FINISH SEE TABLE	CAGE CODE -	DRAWING NO C-2118708	RESTRICTED TO -
		CUSTOMER DRAWING		SCALE 3:1	SHEET 2 OF 3

THIS DRAWING IS UNPUBLISHED. RELEASED FOR PUBLICATION 20
 © COPYRIGHT 20 BY - ALL RIGHTS RESERVED.

REVISIONS					
P	LTR	DESCRIPTION	DATE	DWN	APVD
-	-	SEE SHEET 1	-	-	-



- NOTES:
 9. REEL SIZE: O.D. 380mm, I.D. 180mm
 10. QTY PER REEL: 280PCS

THIS DRAWING IS A CONTROLLED DOCUMENT.		DWN V. LAC 07APR2016	 TE Connectivity	
DIMENSIONS: mm		CHK S. SU 21APR2017		
TOLERANCES UNLESS OTHERWISE SPECIFIED:		APVD V. LAC 21APR2017	NAME 1 PIECE STANDARD SHIELD	
0 PLC ±0.20 1 PLC ±0.15 2 PLC ±0.10 3 PLC ± 4 PLC ± ANGLES ±2		PRODUCT SPEC 108-115119	SIZE A3	CAGE CODE -
MATERIAL SEE TABLE		APPLICATION SPEC -	DRAWING NO C-2118708	RESTRICTED TO -
FINISH -		WEIGHT -	SCALE 3:1	SHEET 3 OF 3
-		CUSTOMER DRAWING	REV A1	