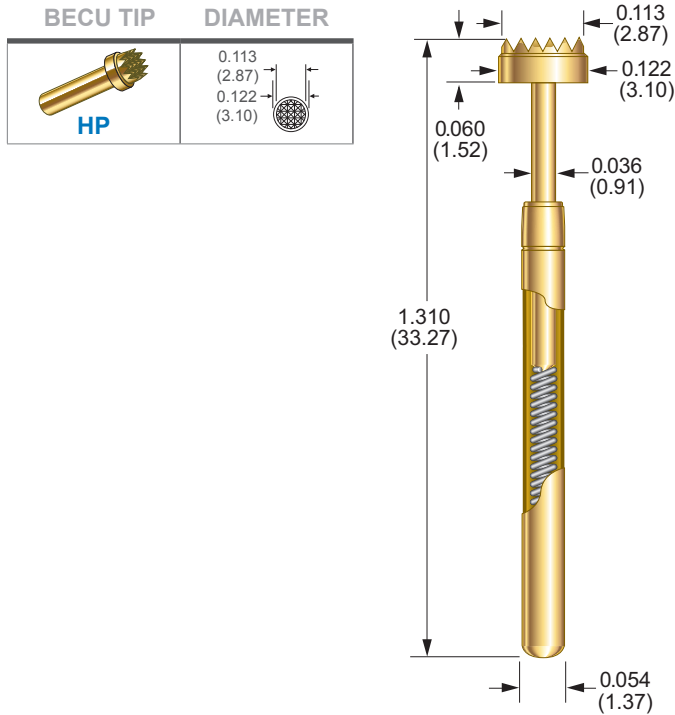


► **AGILENT INTERFACE SERIES**

0.150 (3.81) Centers



PROBE SPECIFICATIONS

Minimum Centers	0.150 (3.81)
Current Rating	3 A continuous
Spring Force	3.50 oz (99 g) @ 0.170 (4.32) travel
Preload Force	1.50 oz (43 g)
Typical Resistance	< 25 mΩ
Maximum Travel	0.250 (6.35)
Working Travel	0.170 (4.32)

MATERIALS

Barrel	G2
Spring	Beryllium copper, precious metal plated
Plunger	Beryllium copper, gold plated over nickel

HOW TO ORDER

S - 100 - HP - 3.5 - G <small>1 2 3 4 5</small>	
1 ► SERIES	S ⁽¹⁾
2 ► SIZE	100
3 ► TIP STYLE	HP
4 ► SPRING FORCE	3.5 oz.
5 ► PLUNGER PLATING	G GOLD