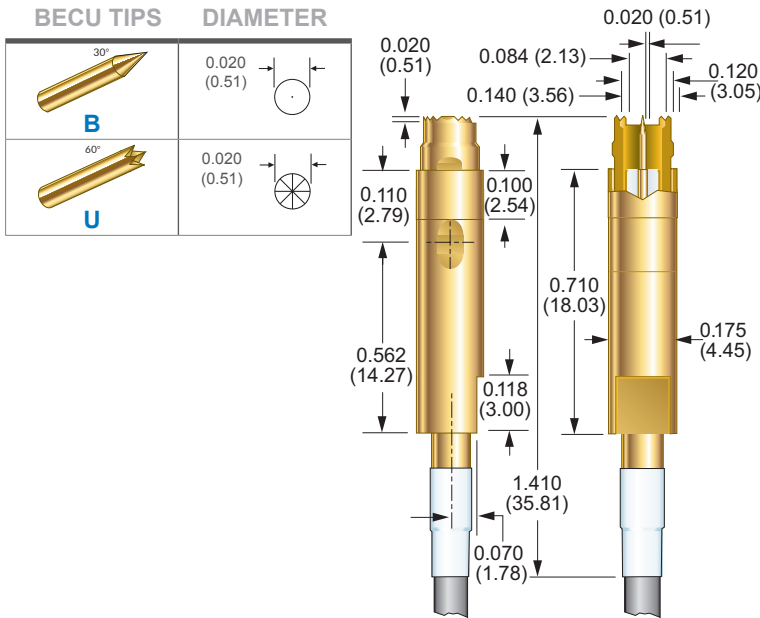


▶ 100999 COAX SERIES

0.200 (5.08) Centers | Attached Cable



PROBE SPECIFICATIONS

Minimum Centers	0.200 (5.08)
Current Rating	3 A continuous
Spring Force	Signal Conductor: 1.60 oz (45 g) @ 0.070 (1.78) travel (<i>tip B</i>) 3.30 oz (93 g) @ 0.070 (1.78) travel (<i>tip U</i>) Shielded Plunger: 4.50 oz (127 g) @ 0.070 (1.78) travel
Nominal Impedance	50 Ω
Maximum Travel	0.090 (2.29)
Working Travel	0.070 (1.78)

MATERIALS

Barrel	Brass, gold plated
Spring	Signal Conductor: Beryllium copper, gold plated Shielding Plunger: Stainless steel, gold plated
Shielding Plunger	Beryllium copper, gold plated
Dielectric Insulator	Teflon
Shielding Tube	Brass, gold plated
Signal Conductor	Series S, Size 00 probe
Coaxial Cable	Semi-flex or flex cable

HOW TO ORDER

100999 - ES - 12 - AM - F	
1 2 3 4 5	
1 ▶ BASE PART NUMBER	100999
2 ▶ SIGNAL TIP STYLE	B, U
3 ▶ CABLE LENGTH	12 IN. 36 IN.
4 ▶ TERMINATION	AM SMA MALE AF SMA FEMALE NC NO CONNECTOR
5 ▶ CABLE TYPE	F FLEX S SEMI-FLEX

*When ordering with a preattached connector, please note that the connector will not fit through the probe mounting hole. The probe must be inserted from the bottom side of the mounting plate.
Dimensions are in inches (mm) | All specifications are subject to change