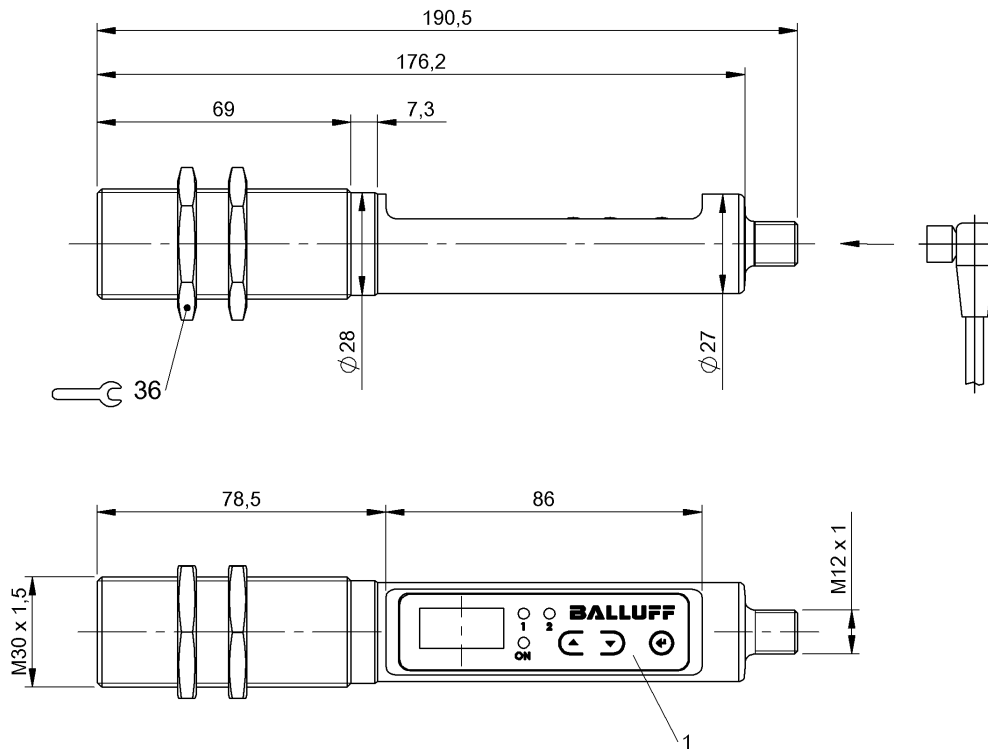


BTS M30E0-UUI-H0001-S04G BTS0002



1) Display and control panel

Electrical connection

Connection	M12x1-Connector, 4-pole
Polarity reversal protected	yes
Short-circuit protection	yes

Electrical data

Cycle time min.	8 ms
Hysteresis H max.	1 °C
Load capacitance max. at U _e	70 nF
MTTF (40 °C)	92 a
Operating voltage U _b	10...30 VDC
Protected against miswiring	yes
Rated insulation voltage U _i	250 V AC
Rated operating current I _e DC	100 mA
Rated operating voltage U _e DC	24 V
Ready delay t _v max.	3.5 s
Residual current I _r max.	10 µA
Switching frequency	100 Hz

Environmental conditions

Ambient temperature	-5...65 °C
---------------------	------------

Protection class	II
Protection type IEC 60529	IP65IP67
Relative humidity	95 %, non-condensing
Storage temperature	-25...70 °C

Functional safety

Diagnostic coverage	0.0 %
Functional safety	no

General data

Approval/Conformity	CE
Series	M30E0

Material

Housing material	Stainless steel (1.4404), Stainless steel (1.4404) Aluminum, black anodized, Aluminium (3.3206)
Material sensing surface	Borosilicate crown glass (N-BK7), coated

BTS M30E0-UUI-H0001-S04G BTS0002

Mechanical data

Dimension	Ø 30 x 190 mm
Fastening detail	Nut M30x1.5
Tightening torque max.	80 Nm
Weight	300 g

Output/Interface

IO-Link version	1.1
-----------------	-----

Switching output

2x PNP Normally open/
Normally closed (NO/NC)

Range/Distance

Measuring range	250...1250 °C
Reproducibility	±1 °C
Ripple max. (% of Ue)	15 %

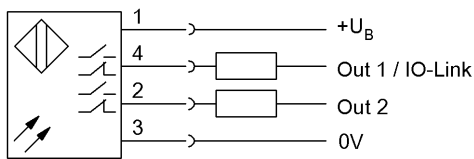
For further information on MTTF/B10d, please refer to the MTTF / B10d Certificate.

Specification of the MTTF value and the B10d value do not represent any binding quality and/or life expectancy guarantees.

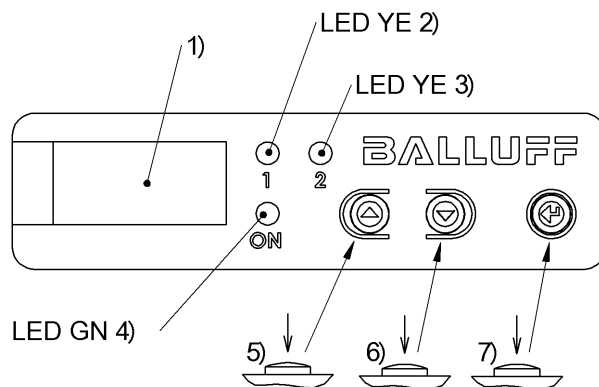
Connector view



Wiring Diagram



Additional View



1) Display 2) Output 1 active 3) Output 2 active 4) Operating volt./IO-Link active 5) Scroll / increase value 6) Scroll / Reduce value 7) Menu, confirm selection