



Duplexor

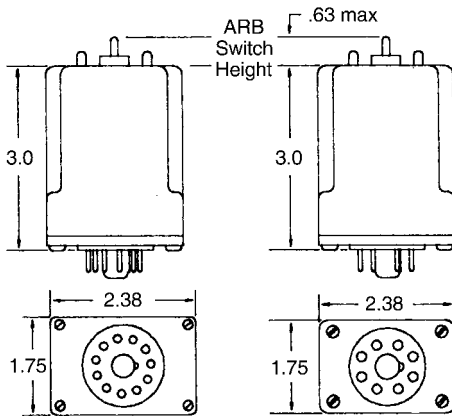
The **Duplexor** is used in control panels where **two loads** are required to alternate to provide equal run time on the loads. The alternating action is initiated by a control switch, which is common with one side of the control voltage. The output contacts will change states each time the control switch is opened, thus alternating the two loads. The LED indicators show the position of the output relay.

The **ARA Series** is the standard **Duplexor** providing automatic alternating sequence. The **ARB** has the automatic sequencing feature plus the option of locking it into one sequence. A three position switch permits the field selection of normal duplexing action, locking in the A-B sequence, or B-A sequence.

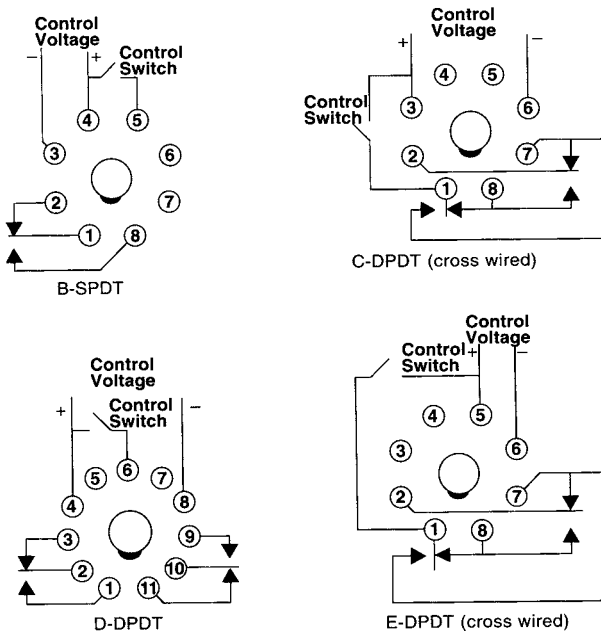
SPECIFICATIONS

CONTROL VOLTAGE	24, 120 VAC/DC, 208, 240, 50/60Hz,
CONTROL SWITCH CURRENT	1 mA
POWER REQUIRED	3 VA (Approximately)
DUTY CYCLE	Continuous
LIFE EXPECTANCY	Mechanical 10,000,000 Operations (Minimum) Electrical 100,000 Operations @ Rated Load
INDICATORS	LED Shows Output Position
TEMPERATURES RATING	Operate -4° to 131°F (-20° to +55°C) Storage -40° to 185°F (-40° to +85°C)
CONTACT RATING	10 Amps @ 240 VAC, Resistive 1/8 hp @ 120 VAC 1/4 hp @ 240 VAC Inductive 360 VA @ 240 VAC, Inductive
ENCLOSURE	"A" Lexan® Dust Cover
TERMINATIONS	Industrial Plug-in
WEIGHT	4.5 oz.

DIMENSIONS (INCHES)



WIRING



MODEL NUMBER

MODEL NUMBER	AR			A		A
TYPE OF ALTERNATING RELAY	Standard Duplexor	A				
	Special Function Duplexor	B				
CONTROL VOLTAGE	24 VAC/DC	24				
	120 VAC/DC	120				
	208 VAC	208				
	240 VAC	240				
TYPE OF VOLTAGE	VAC or VAC/DC		A			
CONTACT CONFIGURATION	SPDT			B		
	DPDT (Cross Wired)			C		
	DPDT			D		
	DPDT (Cross Wired)			E		
ENCLOSURE STYLE						A