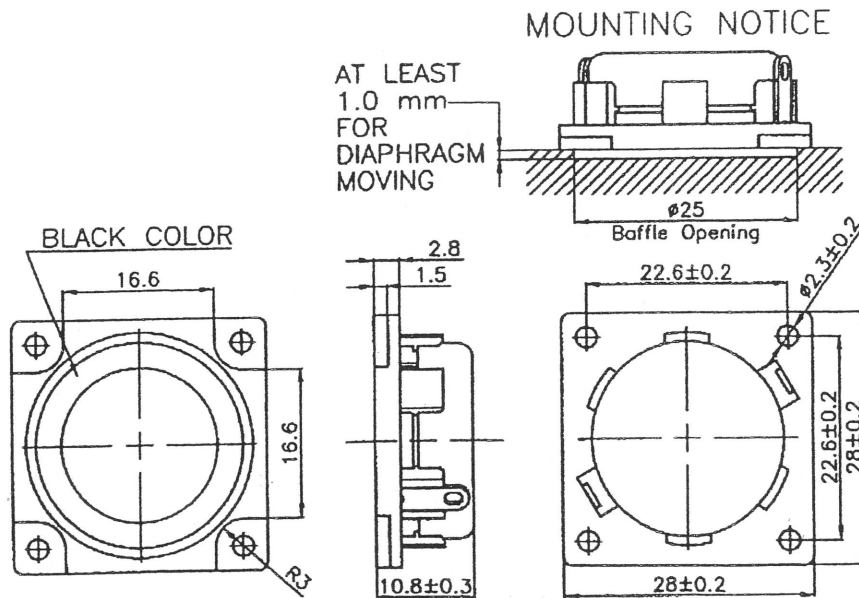


INTERVOX Speakers from International ©

215 McCormick Drive, Bohemia, NY 11716 (631)952-9595 Fax: (631) 952-9597 e-mail: oemsales@icc107.com

1.	MODEL:	S110SL			
2.	Dimension	Outer Diameter	28x 28 mm.	Baffle Opening	∅25 mm.
		Height	Refer to Drawing	Weight	21 Grams.
3.	Magnet	Materials	Rare Earth	Size	∅ 15 .5 x 2.8 mm.
4.	Nominal Resistance	8 Ω ± 15 %			
5.	Power Rating	Normal	2 W.	Maximum	3 W.
6.	Lowest Resonant Frequency	270 ± 20 % Hz.			
7.	Output Sound Pressure Level (S.P.L.)	82 ± 3 db / 1.0 Watt · 0.5 Meter.			
		Average at 600, 800, 1000, 1200 Hz.			
8.	Frequency Range	150 ~ 20000 Hz.	Average SPL - 10 db.		
9.	Distortion	5 % Maximum At 1000 Hz.	1 W.		
10.	Abnormal Sound Test	Must be Normal Tested By 4 Volts. Sine Wave.			
11.	Load Test	White Noise with Weighted Filter 4 Volts.(RMS) 24 Hrs.			
12.	Polarity	Diaphragm shall move Forward when Apply a Positive DC.			
		Current to the "+" or "Marked" Terminal.			



450

Unit : mm

Housing Material : PBT