

Spacer plate - DP PS-4 - 3036712

Please be informed that the data shown in this PDF Document is generated from our Online Catalog. Please find the complete data in the user's documentation. Our General Terms of Use for Downloads are valid (<http://phoenixcontact.com/download>)



Spacer plate, Length: 22.4 mm, Width: 4.2 mm, Height: 29 mm, Number of positions: 1, Color: red



Key Commercial Data

Packing unit	1 STK
Minimum order quantity	10 STK
GTIN	 4 017918 818968
GTIN	4017918818968
Weight per Piece (excluding packing)	1.340 g
Custom tariff number	85389099
Country of origin	Poland

Technical data

General

Number of positions	1
Color	red
Material	PA
Flammability rating according to UL 94	V0

Dimensions

Width	4.2 mm
Length	22.4 mm
Height	29 mm

General

Spacer plate - DP PS-4 - 3036712

Technical data

General

Ambient temperature (operation)	-40 °C ... 125 °C
---------------------------------	-------------------

Standards and Regulations

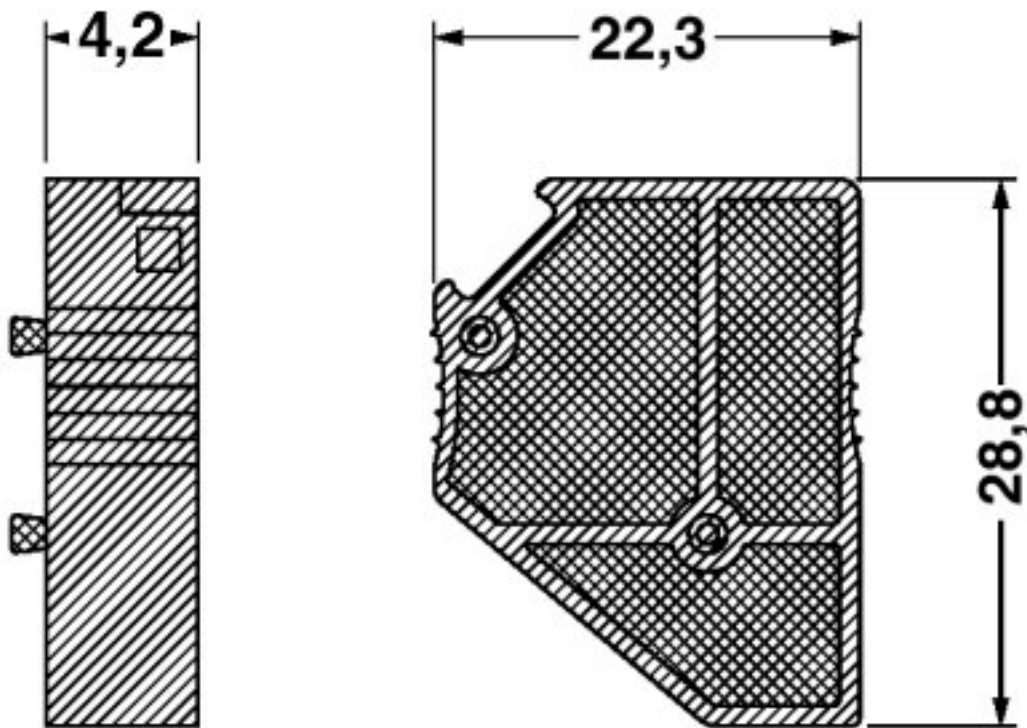
Flammability rating according to UL 94	V0
--	----

Environmental Product Compliance

China RoHS	Environmentally friendly use period: unlimited = EFUP-e
	No hazardous substances above threshold values

Drawings

Dimensional drawing



Classifications

eCl@ss

eCl@ss 4.0	27141199
eCl@ss 4.1	27141199

Spacer plate - DP PS-4 - 3036712

Classifications

eCl@ss

eCl@ss 5.0	27141145
eCl@ss 5.1	27141145
eCl@ss 6.0	27141133
eCl@ss 7.0	27141133
eCl@ss 8.0	27141133
eCl@ss 9.0	27141133

ETIM

ETIM 2.0	EC000897
ETIM 3.0	EC000897
ETIM 4.0	EC000886
ETIM 5.0	EC000886
ETIM 6.0	EC000886

UNSPSC

UNSPSC 6.01	30211812
UNSPSC 7.0901	39121410
UNSPSC 11	39121411
UNSPSC 12.01	39121411
UNSPSC 13.2	39121425