

Test plugs - PS-UK 2,5 B/Z-6 - 3001239

Please be informed that the data shown in this PDF Document is generated from our Online Catalog. Please find the complete data in the user's documentation. Our General Terms of Use for Downloads are valid (<http://phoenixcontact.com/download>)




Test plugs, color: red

Why buy this product

- The test plug reliably makes contact in the bridge shaft and in all test sockets with a 2.3 mm or 4 mm diameter
- Individual test adapters can be combined using the modular PS-...2,3MM test plug.

Key Commercial Data

| | |
|--------------|---|
| Packing unit | 1 STK |
| GTIN |  4 017918 089856 |
| GTIN | 4017918089856 |

Technical data

Dimensions

| | |
|--------------|---------|
| Length | 19.6 mm |
| Width | 5 mm |
| Pitch | 6.2 mm |
| Pin diameter | 6.5 mm |

General

| | |
|---------------------------------|-------------------|
| Color | red |
| Material | PA |
| Ambient temperature (operation) | -40 °C ... 115 °C |

Standards and Regulations

| | |
|--|----|
| Flammability rating according to UL 94 | V2 |
|--|----|

Environmental Product Compliance

| | |
|------------|----------------|
| REACH SVHC | Lead 7439-92-1 |
|------------|----------------|

Test plugs - PS-UK 2,5 B/Z-6 - 3001239

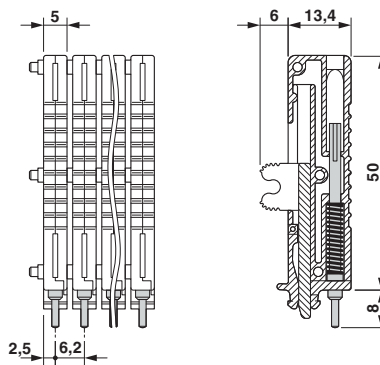
Technical data

Environmental Product Compliance

| | |
|------------|---|
| China RoHS | Environmentally friendly use period: unlimited = EFUP-e |
| | No hazardous substances above threshold values |

Drawings

Dimensional drawing



Approvals

Approvals

Approvals

EAC

Ex Approvals

Approval details

| | | |
|-----|--|---------------|
| EAC | | EAC-Zulassung |
|-----|--|---------------|

Phoenix Contact 2018 © - all rights reserved
<http://www.phoenixcontact.com>

PHOENIX CONTACT GmbH & Co. KG
Flachsmarktstr. 8
32825 Blomberg
Germany
Tel. +49 5235 300
Fax +49 5235 3 41200
<http://www.phoenixcontact.com>