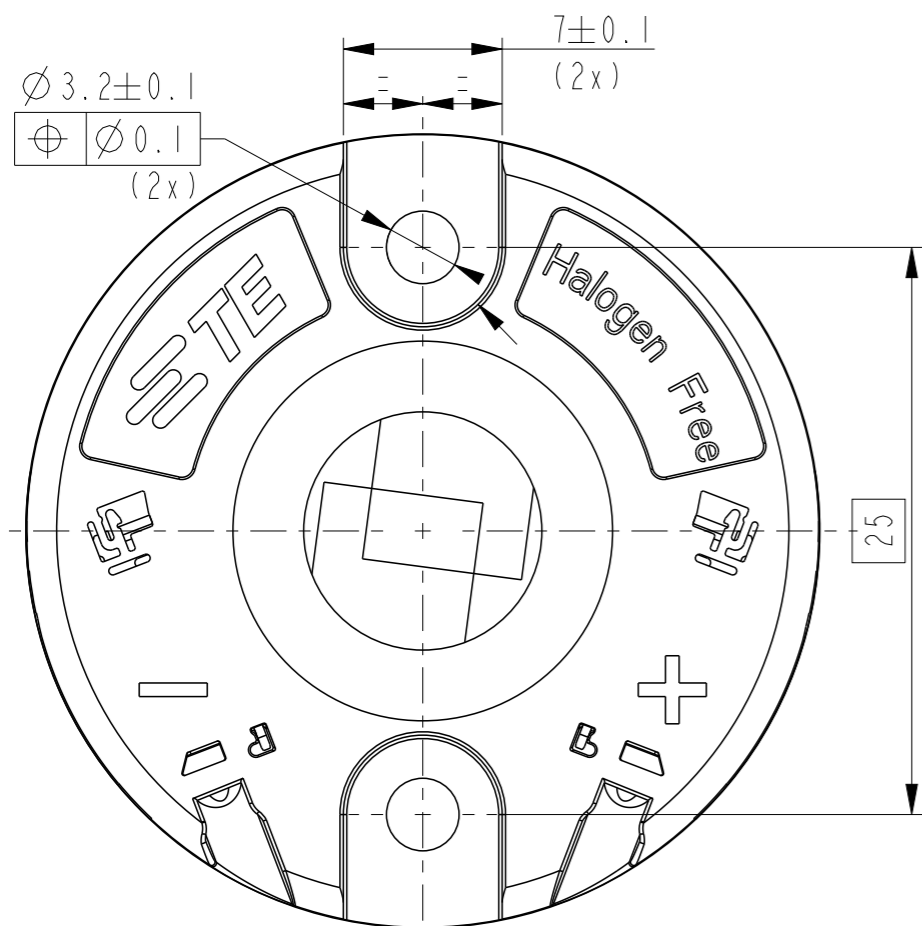


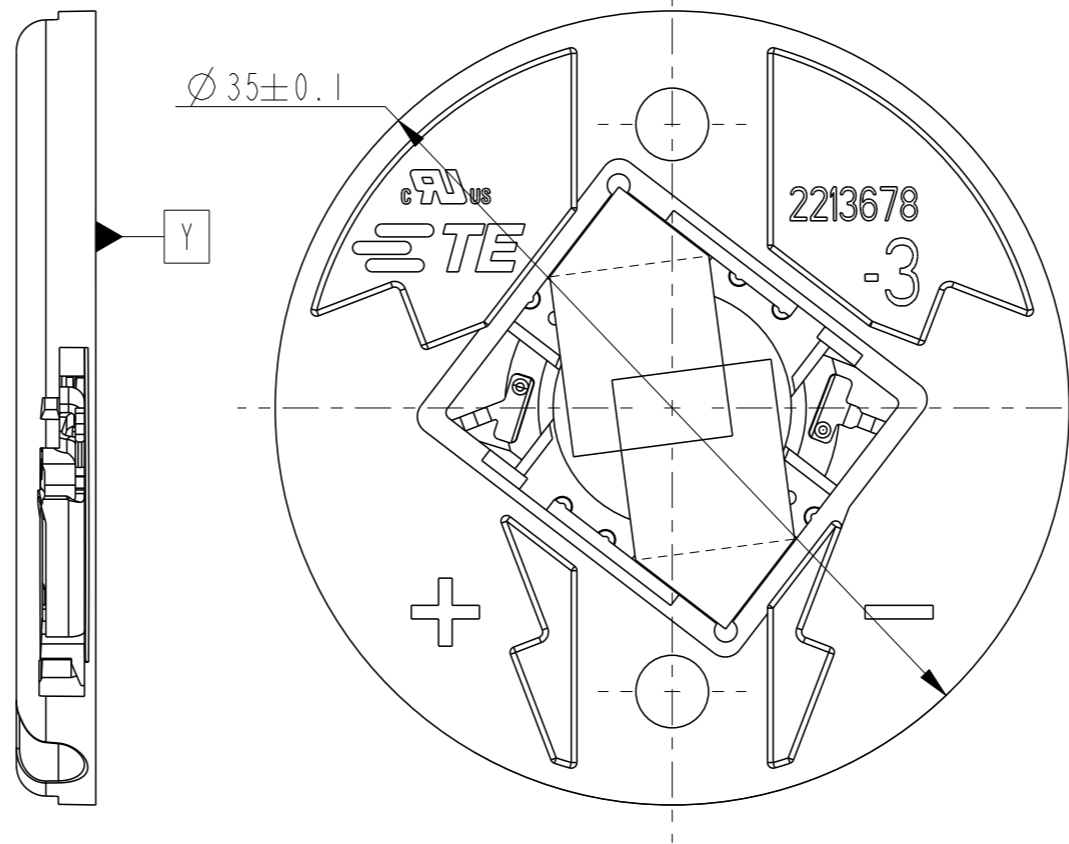
LOC		DIST		REVISIONS			
P	LTR	DESCRIPTION		DATE	DWN	APVD	
	A	RELEASED FOR PRODUCTION		31AUG2016	KR	MvE	
	B	NEW PRODUCT INTRODUCTION		12SEP2016	KR	MvE	
	B1	ECR-16-013138		14SEP2016	KR	MvE	

NOTES:

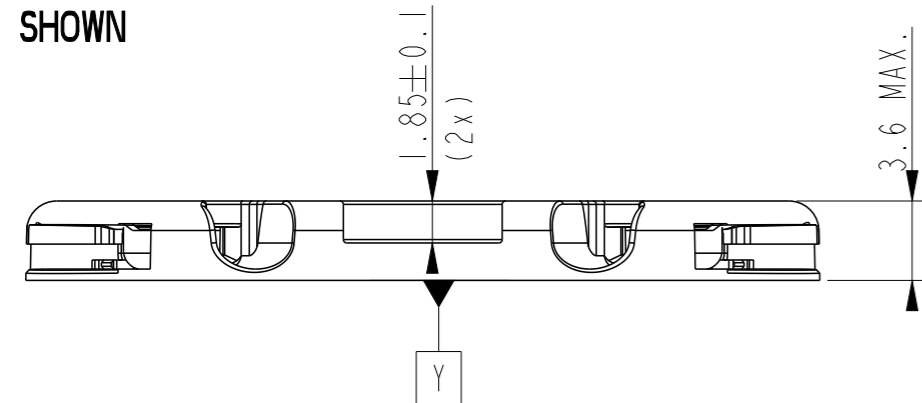
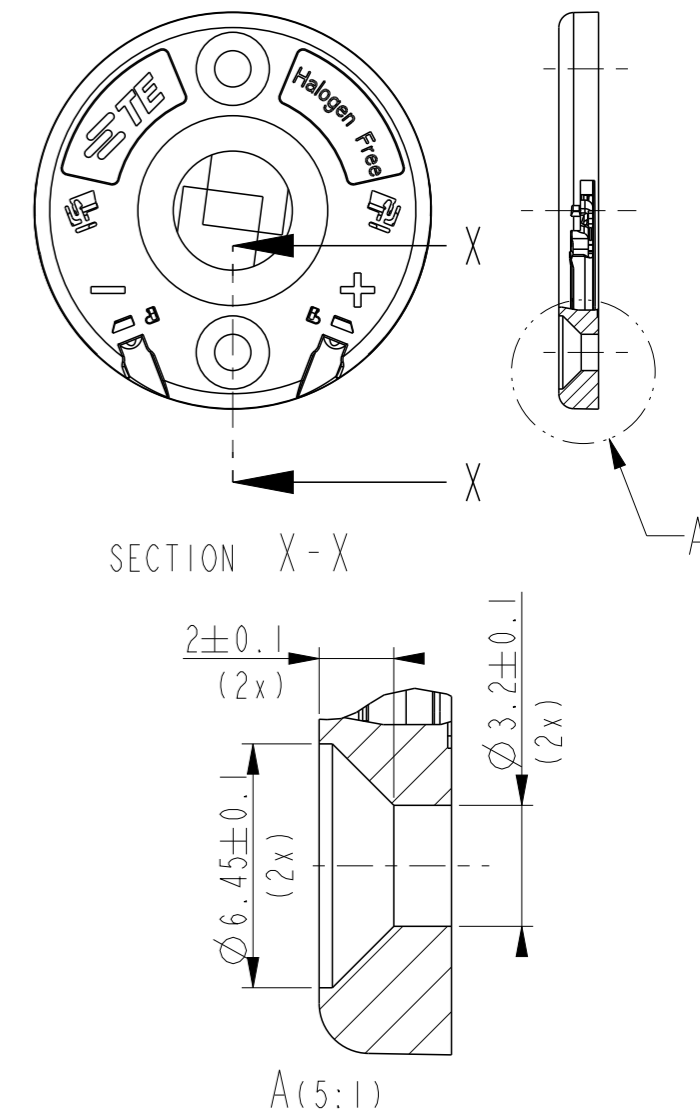
- MATERIALS:
 - HOLDER: PBT, COLOR: NATURAL,
 - CONTACTS: COPPER ALLOY, Ni/Au PLATING.
- FOR SOLID, FUSED AND STRANDED WIRE TYPES AWG 18 AND 20 ACC. UL 1007.
- WIRE STRIP LENGTH: 11-12 mm
- MAX. WIRE INSULATION OUTER DIAM.: $\varnothing 2.3\text{mm}$.
- RECOMMENDED SCREW TORQUE: 0.4 - 0.6 Nm.
- SCREWS TO BE USED:
 - PAN HEAD M3, #4-40 AND COUNTERSUNK M3 (2x), SEE TABLE SHEET 2.
- FOR LED THICKNESS RANGE 0.9-1.0 NOM.
- LED MATING ON 2 CORNERS WITH ADHESIVE TAPE.
- SPECIAL PACKAGING IN 10 PIECES TRAY.



P/N 2213678-3 AS SHOWN



P/N 2213678-4 AS SHOWN

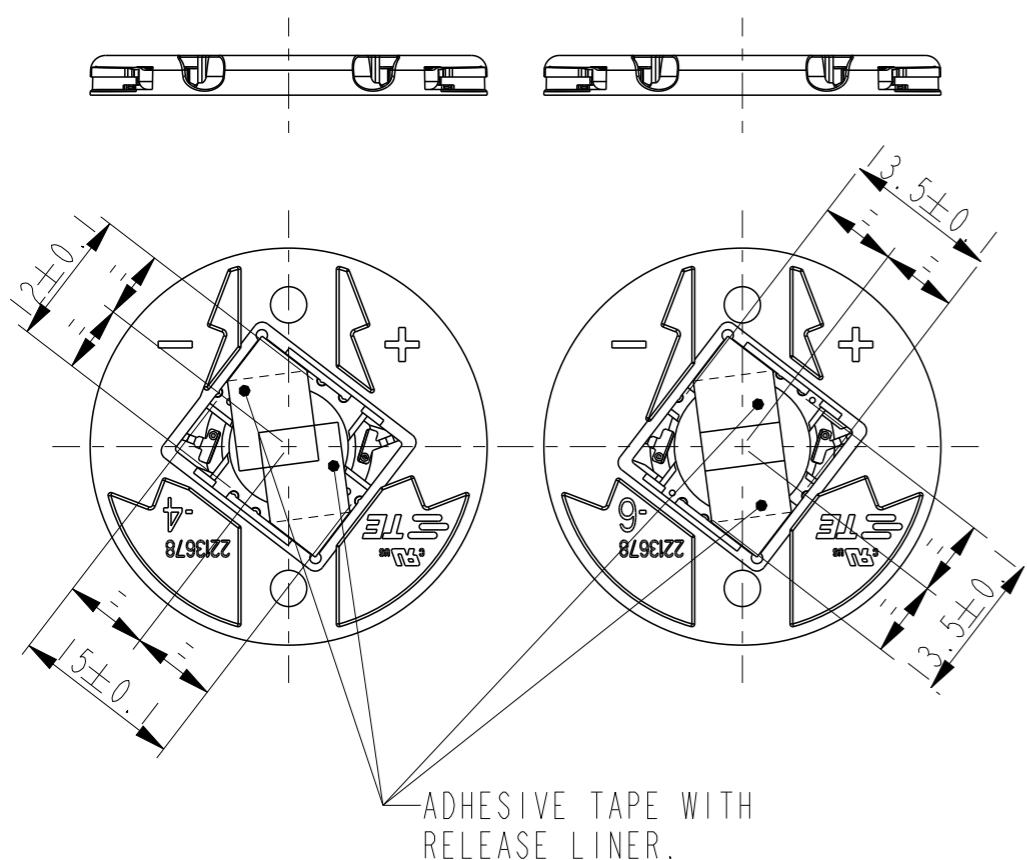
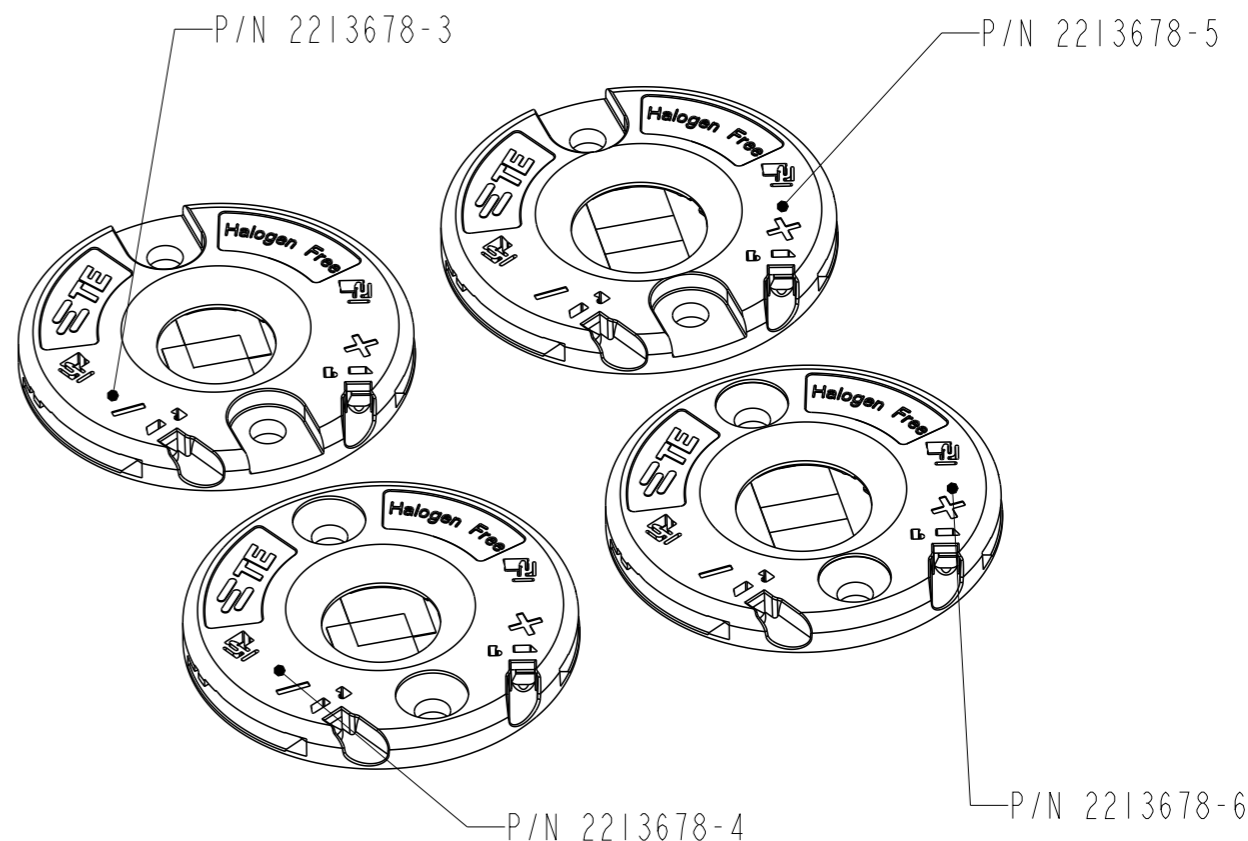
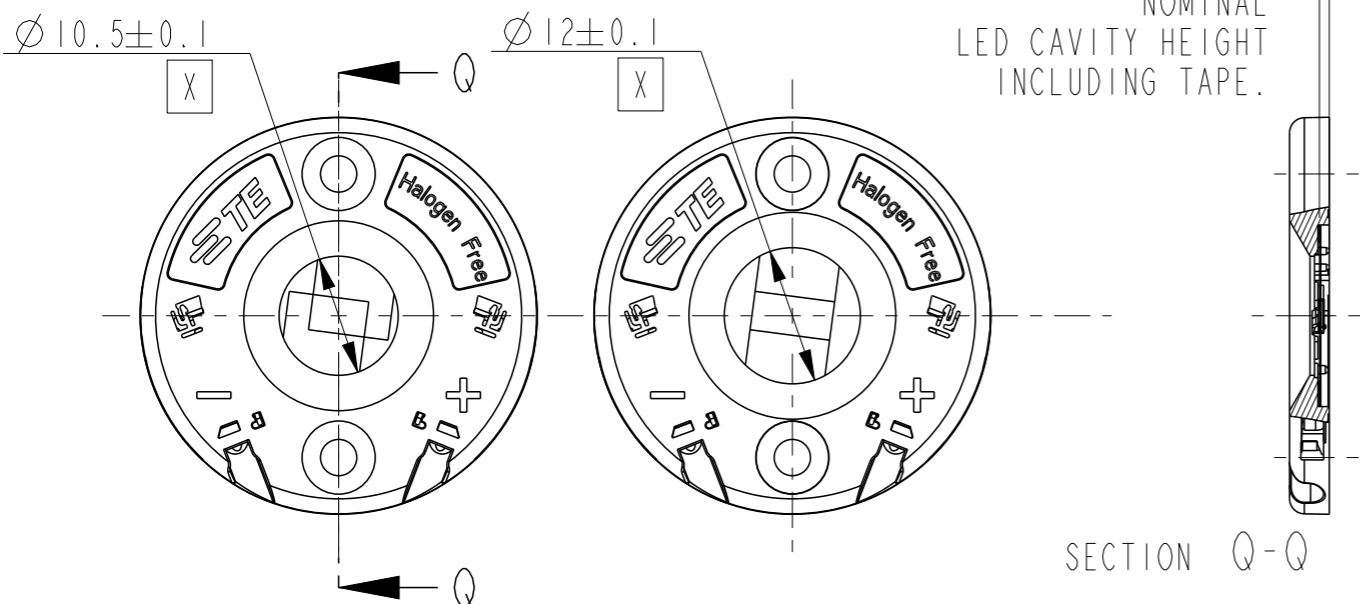


THIS DRAWING IS A CONTROLLED DOCUMENT.		DWN	P. POORTER 22MAY2015		TE Connectivity				
DIMENSIONS: mm		CHK	O. LEIJNSE 22MAY2015						
TOLERANCES UNLESS OTHERWISE SPECIFIED:		APVD	O. LEIJNSE 22MAY2015						
0 PLC ±0.2 1 PLC ±0.2 2 PLC ±0.1 3 PLC ±0.1 4 PLC ±0.1 ANGLES ±5		PRODUCT SPEC	108-133062						
MATERIAL		FINISH	114-133062		NAME	MINI COB HOLDER PLATFORM			
			WEIGHT		SIZE	CAGE CODE	DRAWING NO	RESTRICTED TO	
					A3	00779	C-2213678	-	
			CUSTOMER DRAWING	SCALE	3:1	SHEET	1 OF 3	REV	B1

LOC	DIST	REVISIONS					
		P	LTR	DESCRIPTION	DATE	DWN	APVD
		-		SEE SHEET 1	-	-	-

LED OUTLINE:
P/N 1-2213678-4 (NO TAPE)
P/N 1-2213678-3 (NO TAPE)
P/N 2213678-3
P/N 2213678-4 (SHOWN)

LED OUTLINE:
P/N 1-2213678-6 (NO TAPE)
P/N 1-2213678-5 (NO TAPE)
P/N 2213678-5
P/N 2213678-6 (SHOWN)



2-2213678-3	35mm LED Holder	12*15	PAN HEAD	YES	YES
1-2213678-6	35mm LED Holder	13.5*13.5	COUNTERSUNK	NO	ON REQUEST
1-2213678-5	35mm LED Holder	13.5*13.5	PAN HEAD	NO	ON REQUEST
1-2213678-4	35mm LED Holder	12*15	COUNTERSUNK	NO	ON REQUEST
1-2213678-3	35mm LED Holder	12*15	PAN HEAD	NO	YES
2213678-6	35mm LED Holder	13.5*13.5	COUNTERSUNK	YES	YES
2213678-5	35mm LED Holder	13.5*13.5	PAN HEAD	YES	YES
2213678-4	35mm LED Holder	12*15	COUNTERSUNK	YES	YES
2213678-3	35mm LED Holder	12*15	PAN HEAD	YES	YES
PART NO	DESCRIPTION	LED OUTLINE	SCREW TYPE	TAPE	AVAILABLE

THIS DRAWING IS A CONTROLLED DOCUMENT.

DWN P. POORTER 22MAY2015
CHK O. LEIJNSE 22MAY2015
APVD O. LEIJNSE 22MAY2015

STE TE Connectivity

MINI COB HOLDER PLATFORM

PRODUCT SPEC 108-133062
APPLICATION SPEC 114-133062

SIZE A3 CAGE CODE 00779 DRAWING NO C-2213678 RESTRICTED TO -

MATERIAL FINISH WEIGHT CUSTOMER DRAWING SCALE 3:2 SHEET 2 OF 3 REV B1

4

3

2

1

THIS DRAWING IS UNPUBLISHED.

RELEASED FOR PUBLICATION

20

© COPYRIGHT 20

BY -

ALL RIGHTS RESERVED.

LOC

DIST

REVISIONS

P	LTR	DESCRIPTION	DATE	DWN	APVD
	-	SEE SHEET 1	-	-	-

RECOMMENDED DRILLING HOLE PATTERN

Ø 35.1 MIN.
KEEP OUT ZONE

25

M3 (2x)
Ø 0.1
Depth 10 MIN.

THIS DRAWING IS A CONTROLLED DOCUMENT.

 DIMENSIONS:
mm

TOLERANCES UNLESS OTHERWISE SPECIFIED:

0 PLC	±0.2
1 PLC	±0.2
2 PLC	±0.1
3 PLC	±0.1
4 PLC	±0.1
ANGLES	±5

MATERIAL

FINISH

DWN P. POORTER 22MAY2015

CHK O. LEIJNSE 22MAY2015

APVD O. LEIJNSE 22MAY2015

PRODUCT SPEC
108-133062APPLICATION SPEC
114-133062

WEIGHT

CUSTOMER DRAWING

TE Connectivity

NAME
MINI COB HOLDER PLATFORM

SIZE	CAGE CODE	DRAWING NO	RESTRICTED TO
A3	00779	C-2213678	-

SCALE	2:1	SHEET	3 OF 3	REV	B1
-------	-----	-------	--------	-----	----

SCALE	2:1	SHEET	3 OF 3	REV	B1
-------	-----	-------	--------	-----	----

1470-19 (3/11)