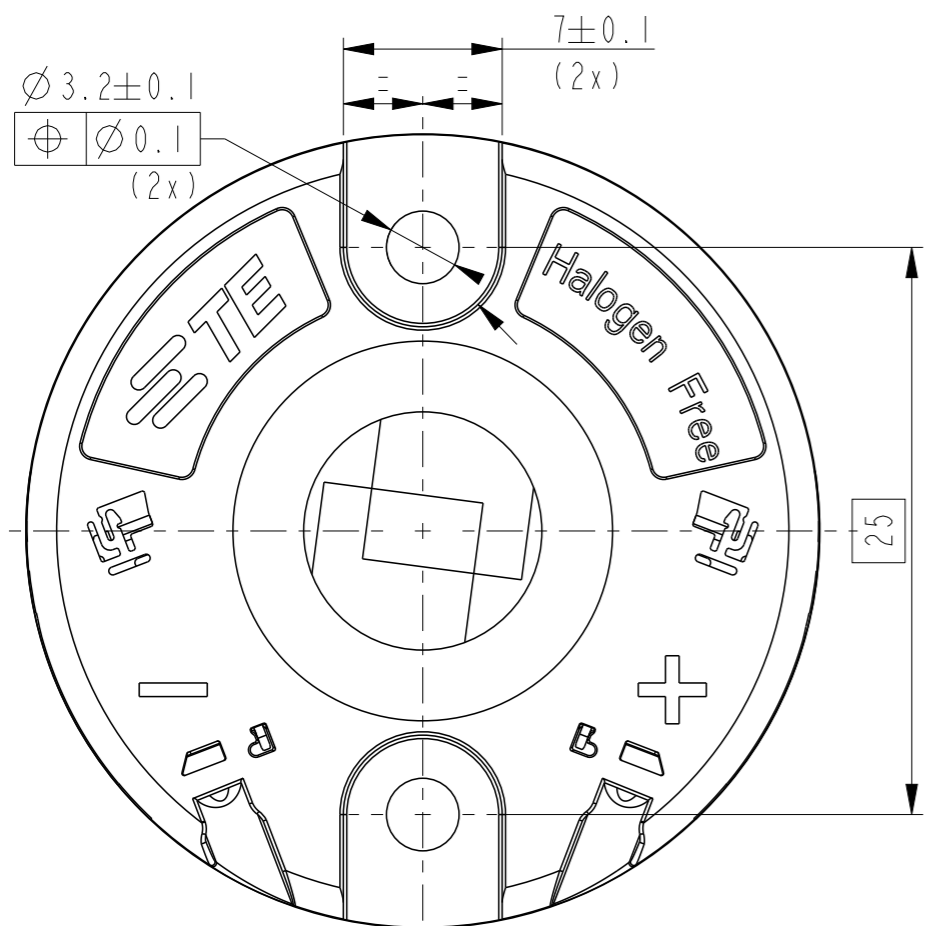


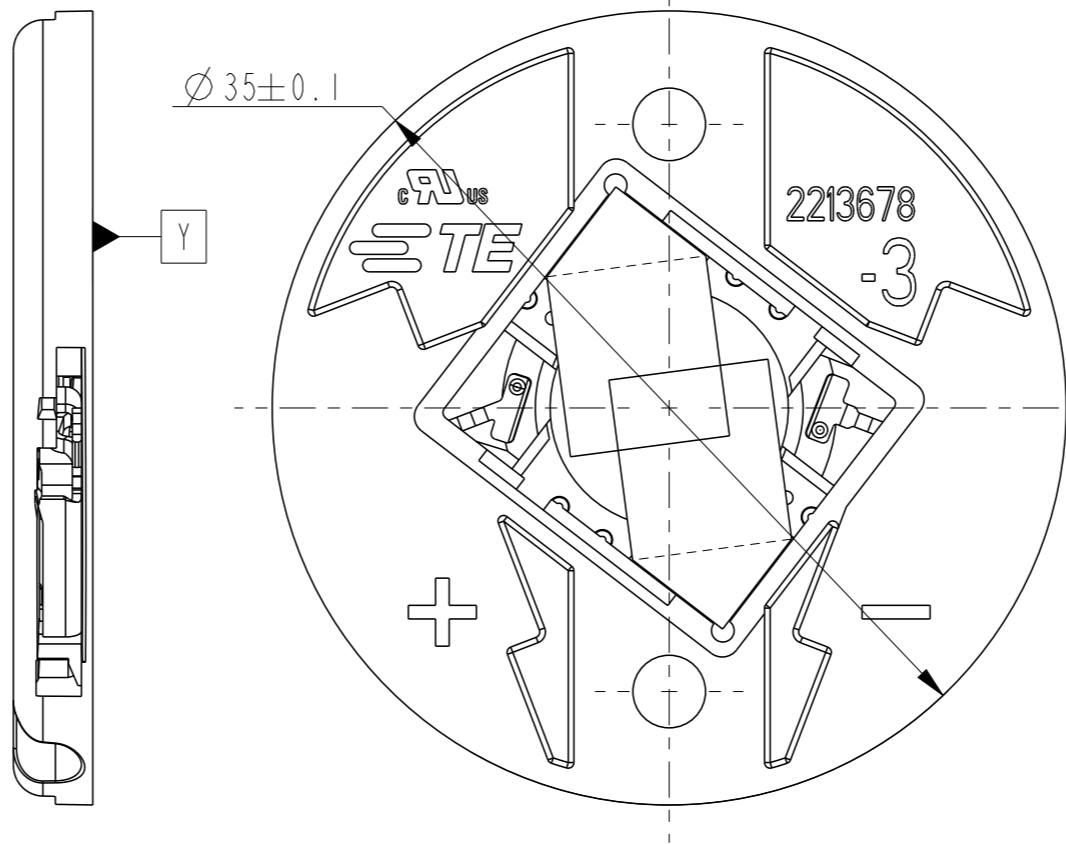
P	LTR	DESCRIPTION	DATE	DWN	APVD
A		RELEASED FOR PRODUCTION	31AUG2016	KR	MvE
B		NEW PRODUCT INTRODUCTION	12SEP2016	KR	MvE
BI		ECR-16-013138	14SEP2016	KR	MvE

NOTES:

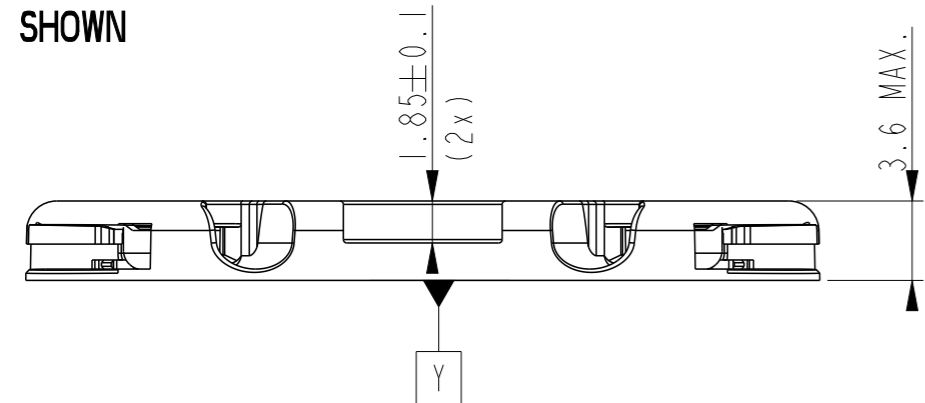
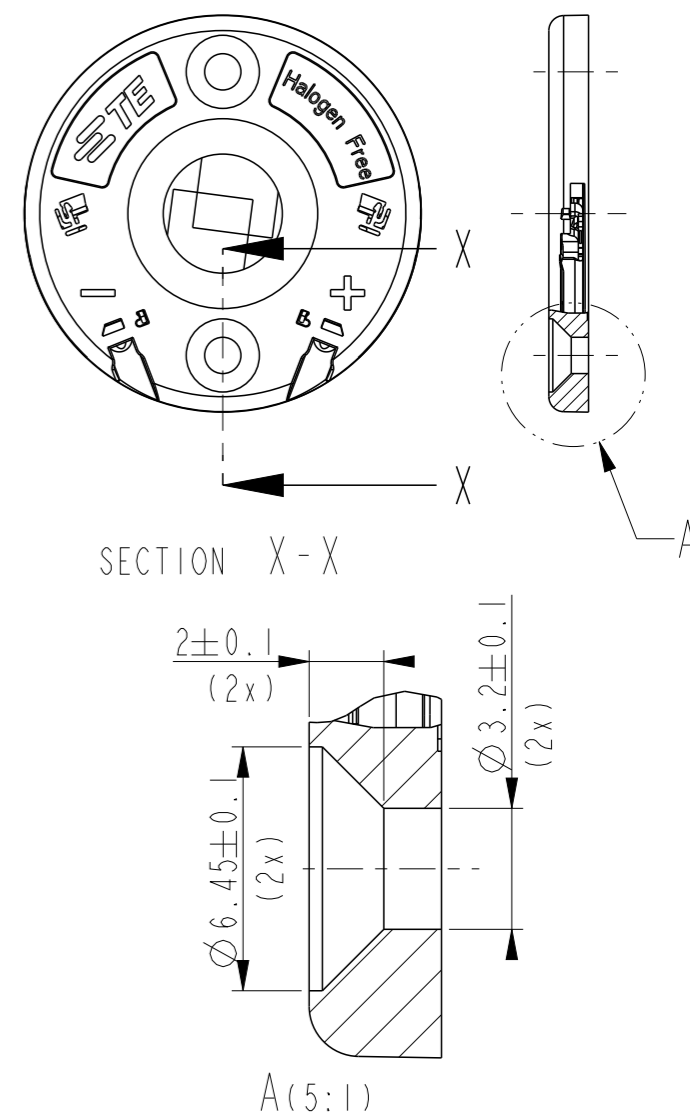
- MATERIALS:
  - HOLDER: PBT, COLOR: NATURAL,
  - CONTACTS: COPPER ALLOY, Ni/Au PLATING.
- FOR SOLID, FUSED AND STRANDED WIRE TYPES AWG 18 AND 20 ACC. UL 1007.
- WIRE STRIP LENGTH: 11-12 mm
- MAX. WIRE INSULATION OUTER DIAM.:  $\varnothing 2.3\text{mm}$ .
- RECOMMENDED SCREW TORQUE: 0.4 - 0.6 Nm.
- SCREWS TO BE USED:
  - PAN HEAD M3, #4-40 AND COUNTERSUNK M3 (2x), SEE TABLE SHEET 2.
- FOR LED THICKNESS RANGE 0.9-1.0 NOM.
- LED MATING ON 2 CORNERS WITH ADHESIVE TAPE.
- SPECIAL PACKAGING IN 10 PIECES TRAY.



P/N 2213678-3 AS SHOWN



P/N 2213678-4 AS SHOWN

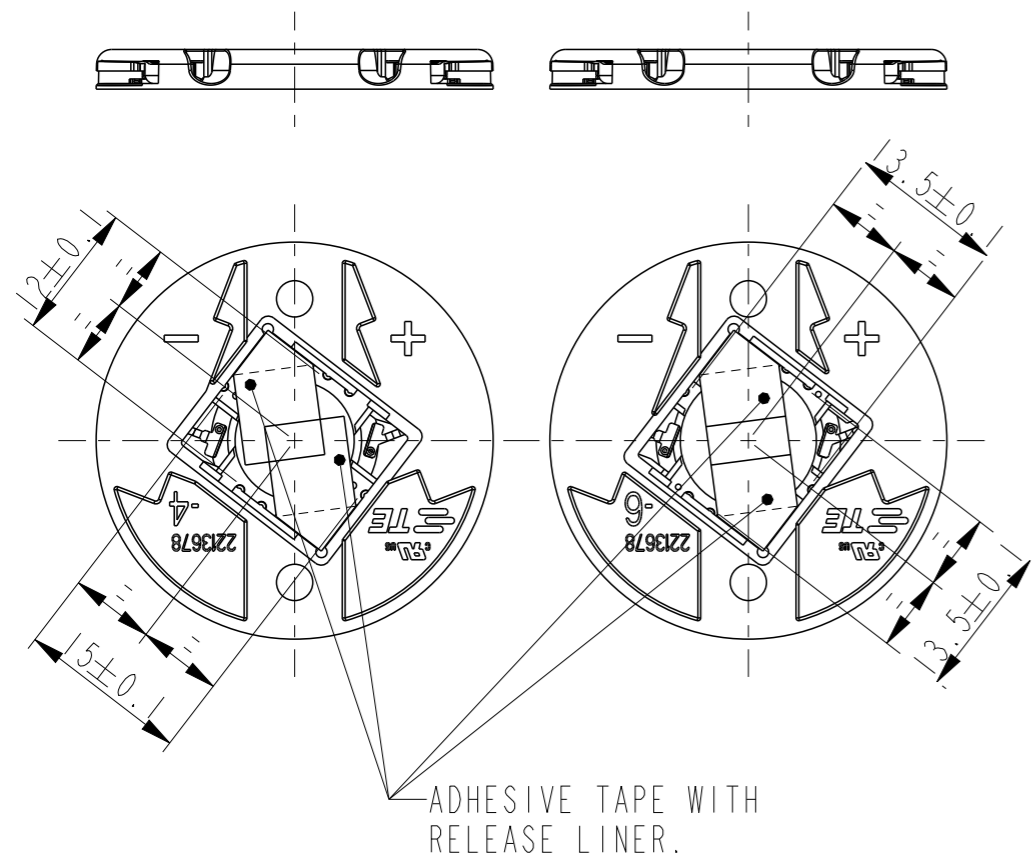
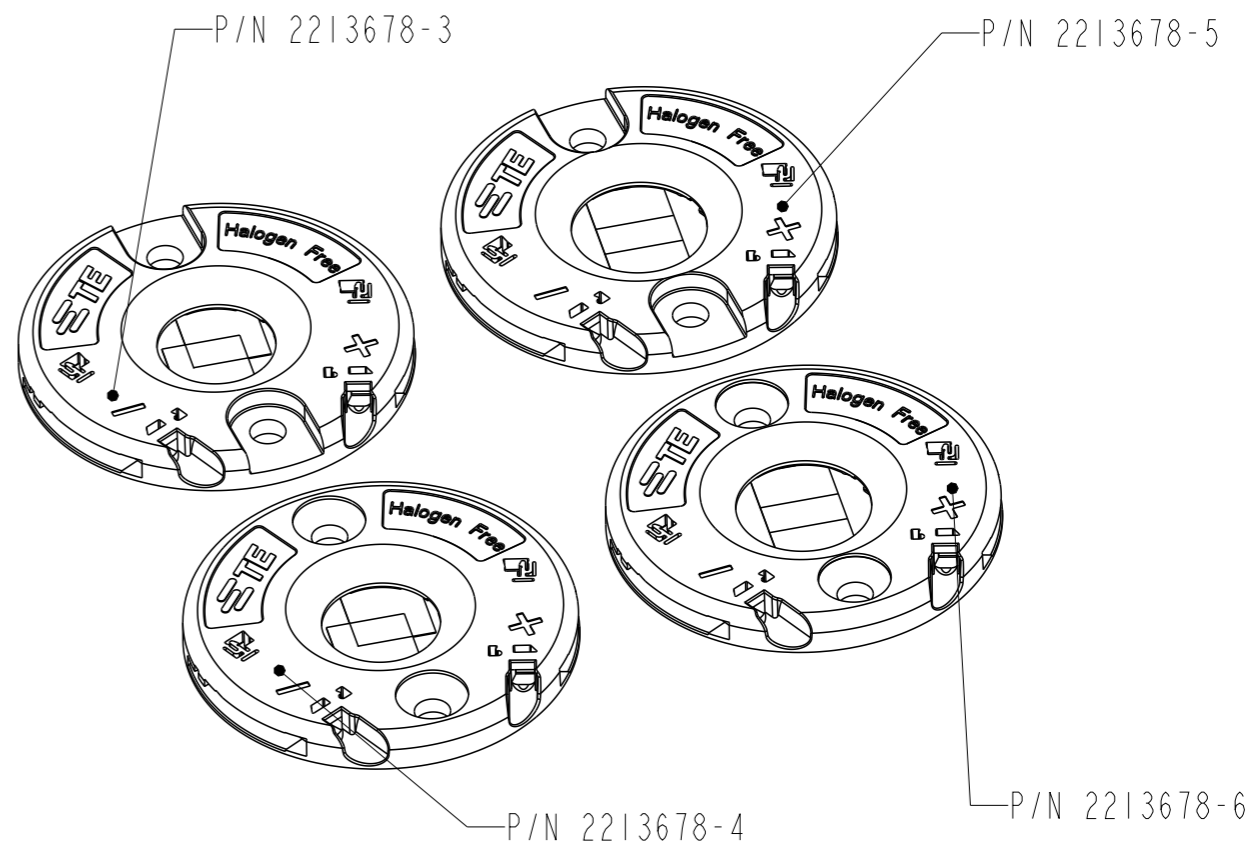
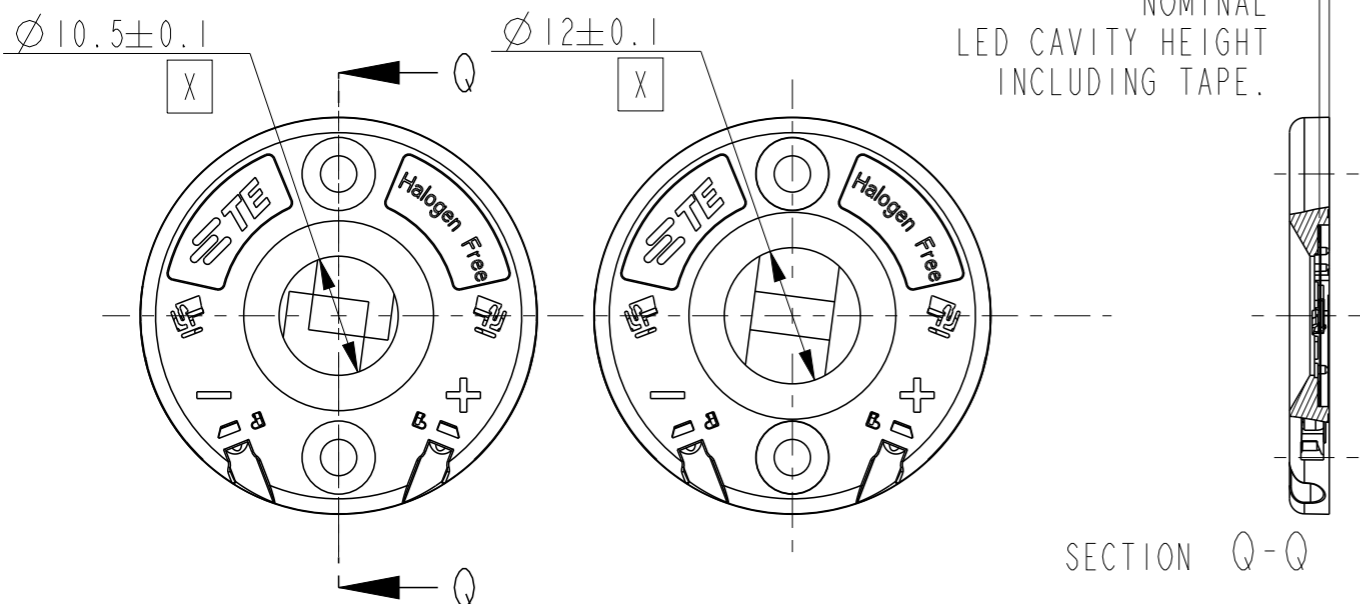


THIS DRAWING IS A CONTROLLED DOCUMENT.		DWN P. POORTER 22MAY2015	<b>STE</b> TE Connectivity	
		CHK O. LEIJNSE 22MAY2015		
DIMENSIONS: mm		APVD O. LEIJNSE 22MAY2015	NAME MINI COB HOLDER PLATFORM	
TOLERANCES UNLESS OTHERWISE SPECIFIED:		PRODUCT SPEC 108-133062	RESTRICTED TO	
0 PLC ±0.2		APPLICATION SPEC 114-133062	SIZE A3	CAGE CODE 00779
1 PLC ±0.2		WEIGHT	DRAWING NO C-2213678	
2 PLC ±0.1		CUSTOMER DRAWING	SCALE 3:1	SHEET 1 OF 3
3 PLC ±0.1			REV BI	
4 PLC ±0.1				
ANGLES ±5				
FINISH				

LOC	DIST	REVISIONS					
		P	LTR	DESCRIPTION	DATE	DWN	APVD
		-		SEE SHEET 1	-	-	-

LED OUTLINE:  
P/N 1-2213678-4 (NO TAPE)  
P/N 1-2213678-3 (NO TAPE)  
P/N 2213678-3  
P/N 2213678-4 (SHOWN)

LED OUTLINE:  
P/N 1-2213678-6 (NO TAPE)  
P/N 1-2213678-5 (NO TAPE)  
P/N 2213678-5  
P/N 2213678-6 (SHOWN)



2-2213678-3	35mm LED Holder	12*15	PAN HEAD	YES	YES
1-2213678-6	35mm LED Holder	13.5*13.5	COUNTERSUNK	NO	ON REQUEST
1-2213678-5	35mm LED Holder	13.5*13.5	PAN HEAD	NO	ON REQUEST
1-2213678-4	35mm LED Holder	12*15	COUNTERSUNK	NO	ON REQUEST
1-2213678-3	35mm LED Holder	12*15	PAN HEAD	NO	YES
2213678-6	35mm LED Holder	13.5*13.5	COUNTERSUNK	YES	YES
2213678-5	35mm LED Holder	13.5*13.5	PAN HEAD	YES	YES
2213678-4	35mm LED Holder	12*15	COUNTERSUNK	YES	YES
2213678-3	35mm LED Holder	12*15	PAN HEAD	YES	YES
PART NO	DESCRIPTION	LED OUTLINE	SCREW TYPE	TAPE	AVAILABLE

THIS DRAWING IS A CONTROLLED DOCUMENT.

DWN P. POORTER 22MAY2015  
CHK O. LEIJNSE 22MAY2015  
APVD O. LEIJNSE 22MAY2015

PRODUCT SPEC 108-133062  
APPLICATION SPEC 114-133062  
WEIGHT

**STE** TE Connectivity

NAME MINI COB HOLDER PLATFORM

SIZE A3 CAGE CODE 00779 DRAWING NO C-2213678 RESTRICTED TO -

CUSTOMER DRAWING SCALE 3:2 SHEET 2 OF 3 REV B1

THIS DRAWING IS UNPUBLISHED.

RELEASED FOR PUBLICATION

20

© COPYRIGHT 20 BY -

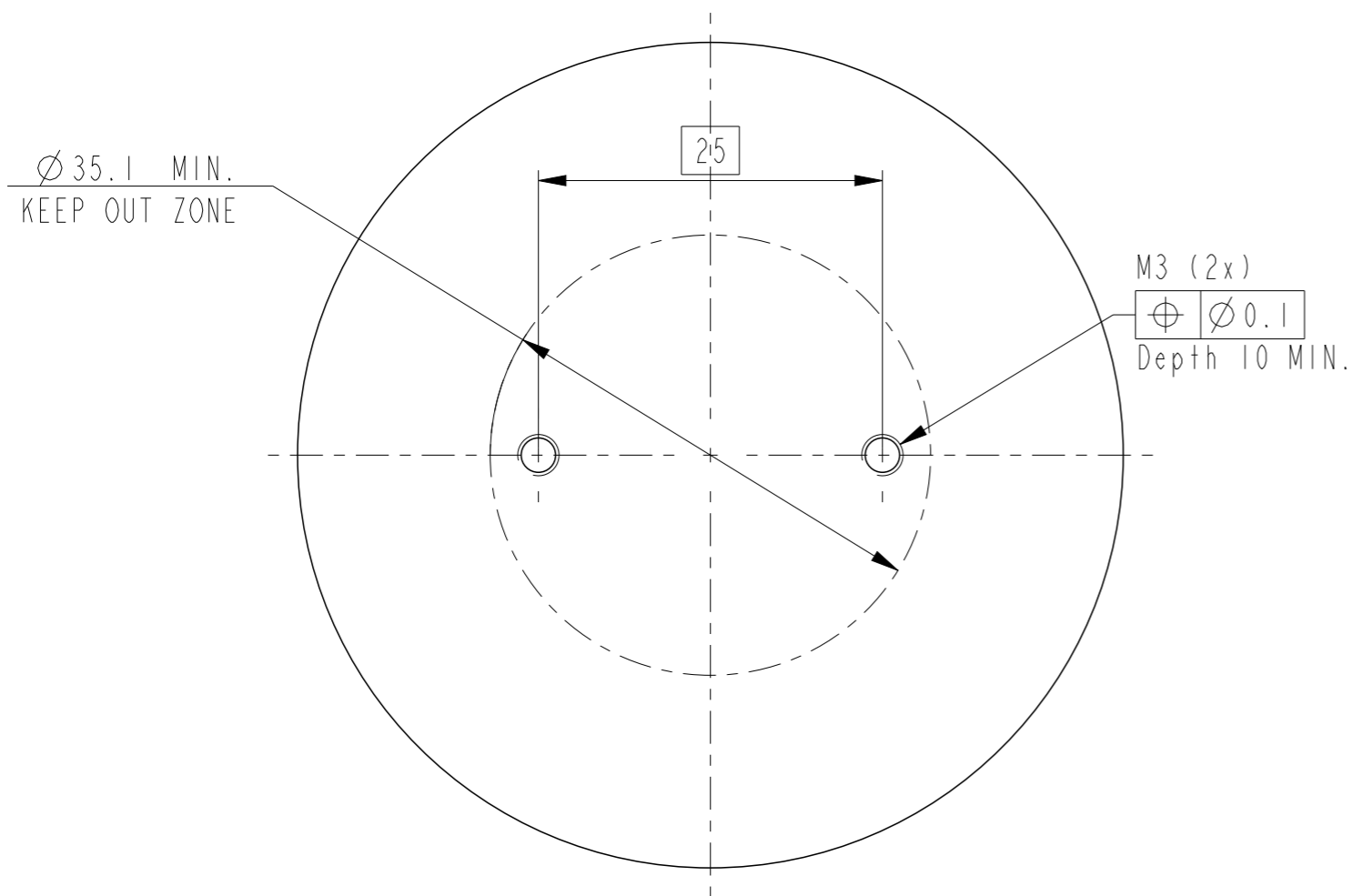
ALL RIGHTS RESERVED.

LOC DIST

REVISIONS

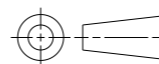
P	LTR	DESCRIPTION	DATE	DWN	APVD
-		SEE SHEET 1	-	-	-

# RECOMMENDED DRILLING HOLE PATTERN



THIS DRAWING IS A CONTROLLED DOCUMENT.

DIMENSIONS:  
mm



TOLERANCES UNLESS OTHERWISE SPECIFIED:

- 0 PLC ±0.2
- 1 PLC ±0.2
- 2 PLC ±0.1
- 3 PLC ±0.1
- 4 PLC ±0.1
- ANGLES ±5

MATERIAL

FINISH

DWN 22MAY2015

P. POORTER

CHK 22MAY2015

O. LEIJNSE

APVD 22MAY2015

O. LEIJNSE

PRODUCT SPEC

108-133062

APPLICATION SPEC

114-133062

WEIGHT

NAME  
MINI COB HOLDER PLATFORM



SIZE CAGE CODE DRAWING NO RESTRICTED TO

A3 00779 C-2213678 -

CUSTOMER DRAWING SCALE 2:1 SHEET 3 OF 3 REV B1