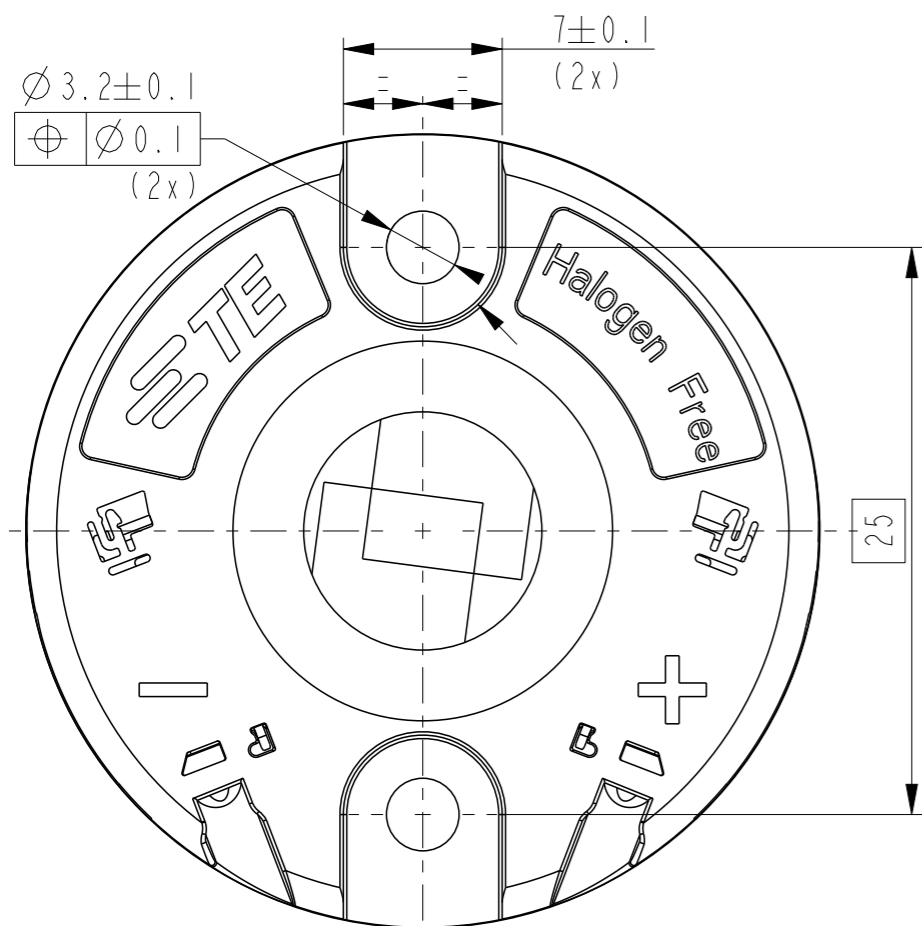


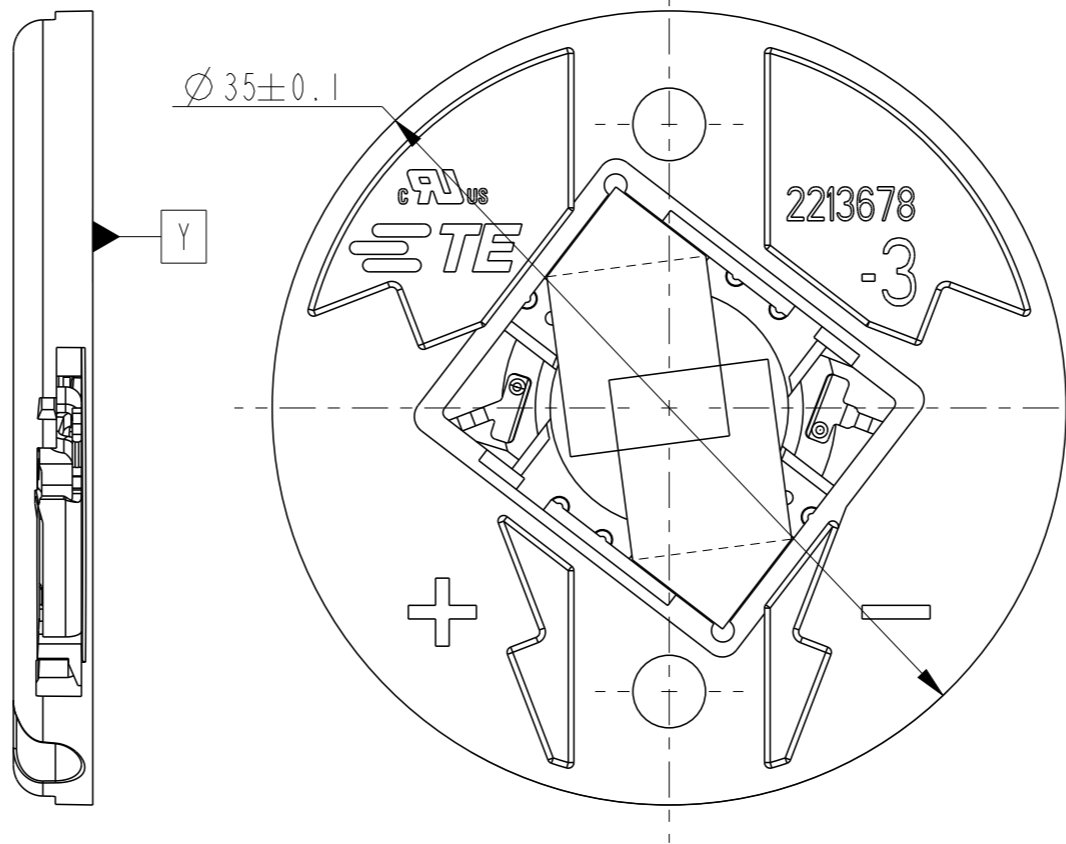
P	LTR	DESCRIPTION	DATE	DWN	APVD
A		RELEASED FOR PRODUCTION	31AUG2016	KR	MvE
B		NEW PRODUCT INTRODUCTION	12SEP2016	KR	MvE
BI		ECR-16-013138	14SEP2016	KR	MvE

NOTES:

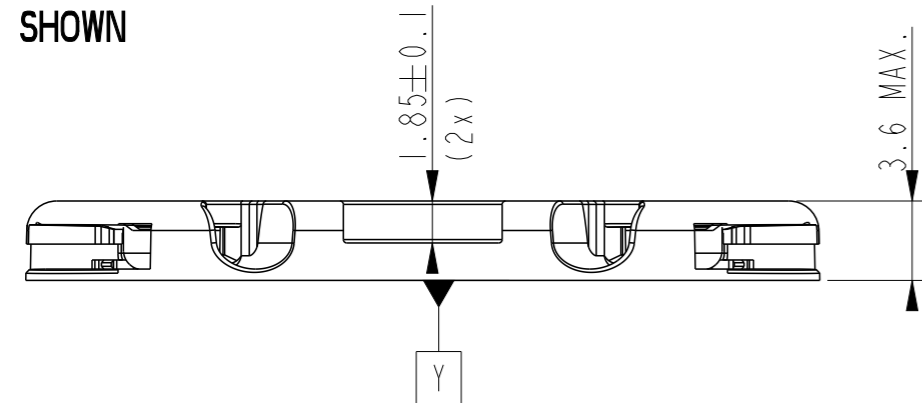
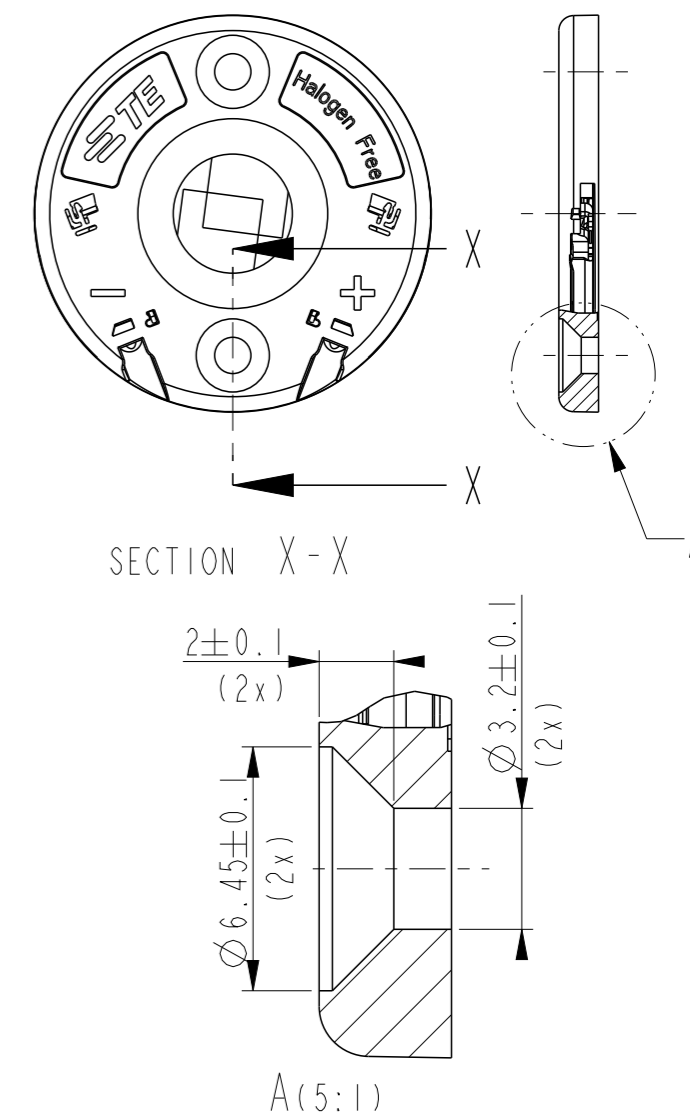
- MATERIALS:
 - HOLDER: PBT, COLOR: NATURAL,
 - CONTACTS: COPPER ALLOY, Ni/Au PLATING.
- FOR SOLID, FUSED AND STRANDED WIRE TYPES AWG 18 AND 20 ACC. UL 1007.
- WIRE STRIP LENGTH: 11-12 mm
- MAX. WIRE INSULATION OUTER DIAM.: $\varnothing 2.3\text{mm}$.
- RECOMMENDED SCREW TORQUE: 0.4 - 0.6 Nm.
- SCREWS TO BE USED:
 - PAN HEAD M3, #4-40 AND COUNTERSUNK M3 (2x), SEE TABLE SHEET 2.
- FOR LED THICKNESS RANGE 0.9-1.0 NOM.
- LED MATING ON 2 CORNERS WITH ADHESIVE TAPE.
- SPECIAL PACKAGING IN 10 PIECES TRAY.




P/N 2213678-3 AS SHOWN



P/N 2213678-4 AS SHOWN

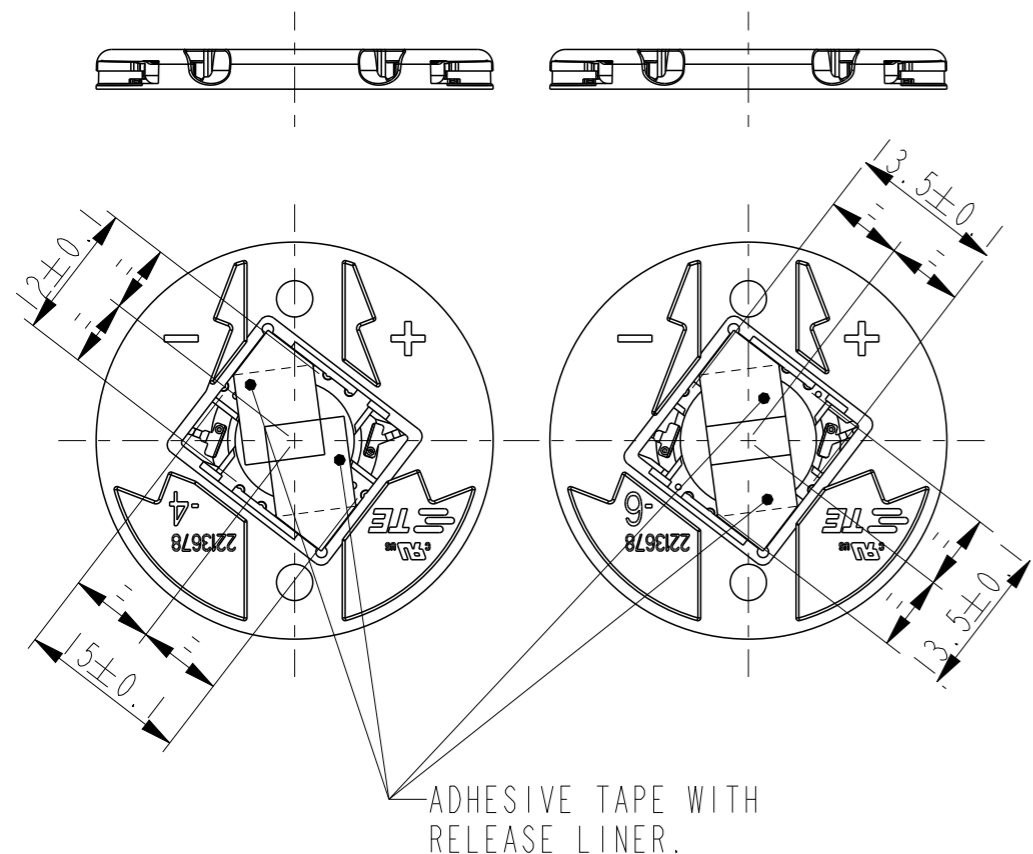
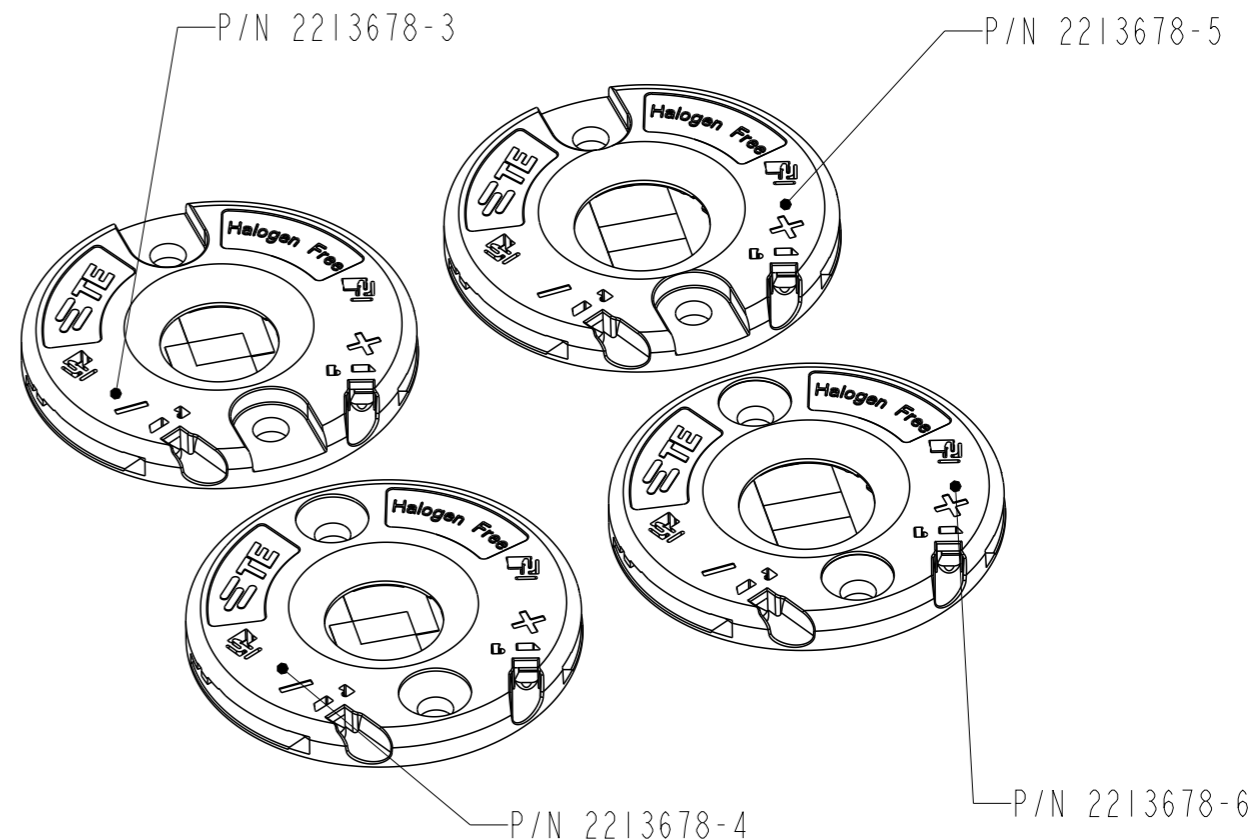
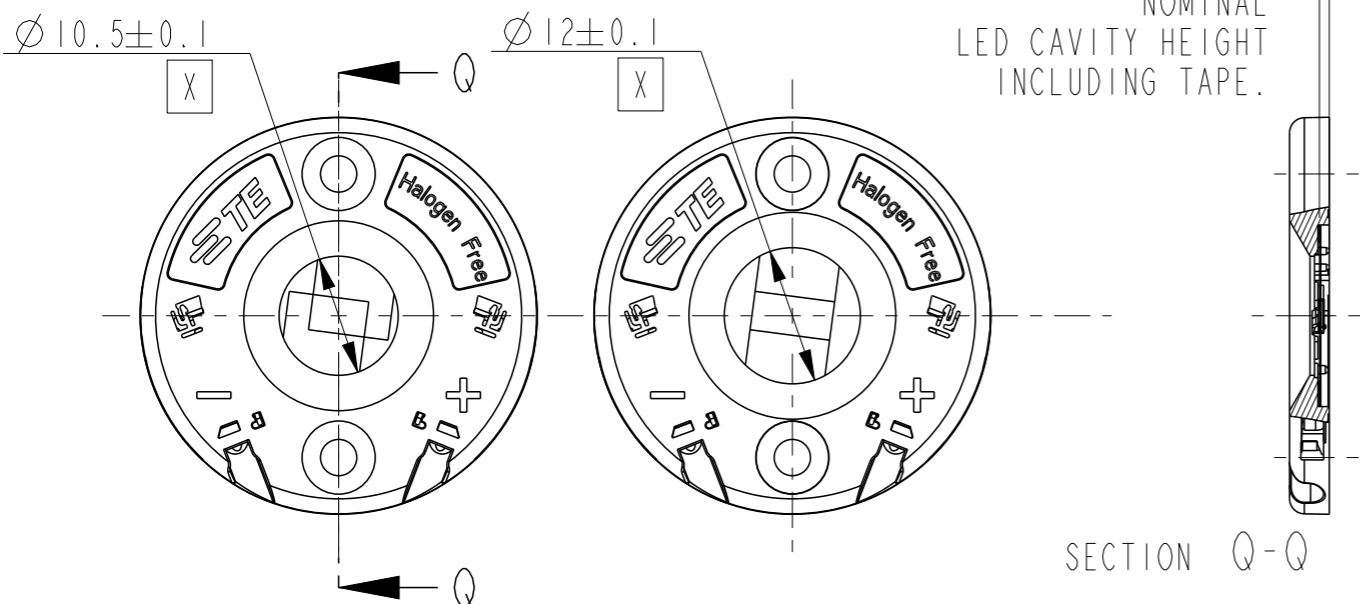


THIS DRAWING IS A CONTROLLED DOCUMENT.		DWN P. POORTER 22MAY2015	 TE Connectivity	
DIMENSIONS: mm		CHK O. LEIJNSE 22MAY2015		
TOLERANCES UNLESS OTHERWISE SPECIFIED:		APVD O. LEIJNSE 22MAY2015	NAME MINI COB HOLDER PLATFORM	
0 PLC ±0.2		PRODUCT SPEC 108-133062	RESTRICTED TO	
1 PLC ±0.2		APPLICATION SPEC 114-133062	SIZE A3	CAGE CODE 00779
2 PLC ±0.1		WEIGHT	DRAWING NO C-2213678	
3 PLC ±0.1		CUSTOMER DRAWING	SCALE 3:1	SHEET 1 OF 3
4 PLC ±0.1			REV BI	
ANGLES ±5				
FINISH				

LOC	DIST	REVISIONS					
		P	LTR	DESCRIPTION	DATE	DWN	APVD
		-		SEE SHEET 1	-	-	-

LED OUTLINE:
P/N 1-2213678-4 (NO TAPE)
P/N 1-2213678-3 (NO TAPE)
P/N 2213678-3
P/N 2213678-4 (SHOWN)

LED OUTLINE:
P/N 1-2213678-6 (NO TAPE)
P/N 1-2213678-5 (NO TAPE)
P/N 2213678-5
P/N 2213678-6 (SHOWN)



ADHESIVE TAPE WITH RELEASE LINER.

2-2213678-3	35mm LED Holder	12*15	PAN HEAD	YES	YES
1-2213678-6	35mm LED Holder	13.5*13.5	COUNTERSUNK	NO	ON REQUEST
1-2213678-5	35mm LED Holder	13.5*13.5	PAN HEAD	NO	ON REQUEST
1-2213678-4	35mm LED Holder	12*15	COUNTERSUNK	NO	ON REQUEST
1-2213678-3	35mm LED Holder	12*15	PAN HEAD	NO	YES
2213678-6	35mm LED Holder	13.5*13.5	COUNTERSUNK	YES	YES
2213678-5	35mm LED Holder	13.5*13.5	PAN HEAD	YES	YES
2213678-4	35mm LED Holder	12*15	COUNTERSUNK	YES	YES
2213678-3	35mm LED Holder	12*15	PAN HEAD	YES	YES
PART NO	DESCRIPTION	LED OUTLINE	SCREW TYPE	TAPE	AVAILABLE

THIS DRAWING IS A CONTROLLED DOCUMENT.

DWN P. POORTER 22MAY2015
CHK O. LEIJNSE 22MAY2015
APVD O. LEIJNSE 22MAY2015

STE TE Connectivity

NAME: MINI COB HOLDER PLATFORM

PRODUCT SPEC: 108-133062
APPLICATION SPEC: 114-133062

SIZE: A3 CAGE CODE: 00779 DRAWING NO: C-2213678 RESTRICTED TO: -

MATERIAL: FINISH: WEIGHT: CUSTOMER DRAWING SCALE: 3:2 SHEET: 2 OF 3 REV: B1

THIS DRAWING IS UNPUBLISHED.

RELEASED FOR PUBLICATION

20

© COPYRIGHT 20 BY -

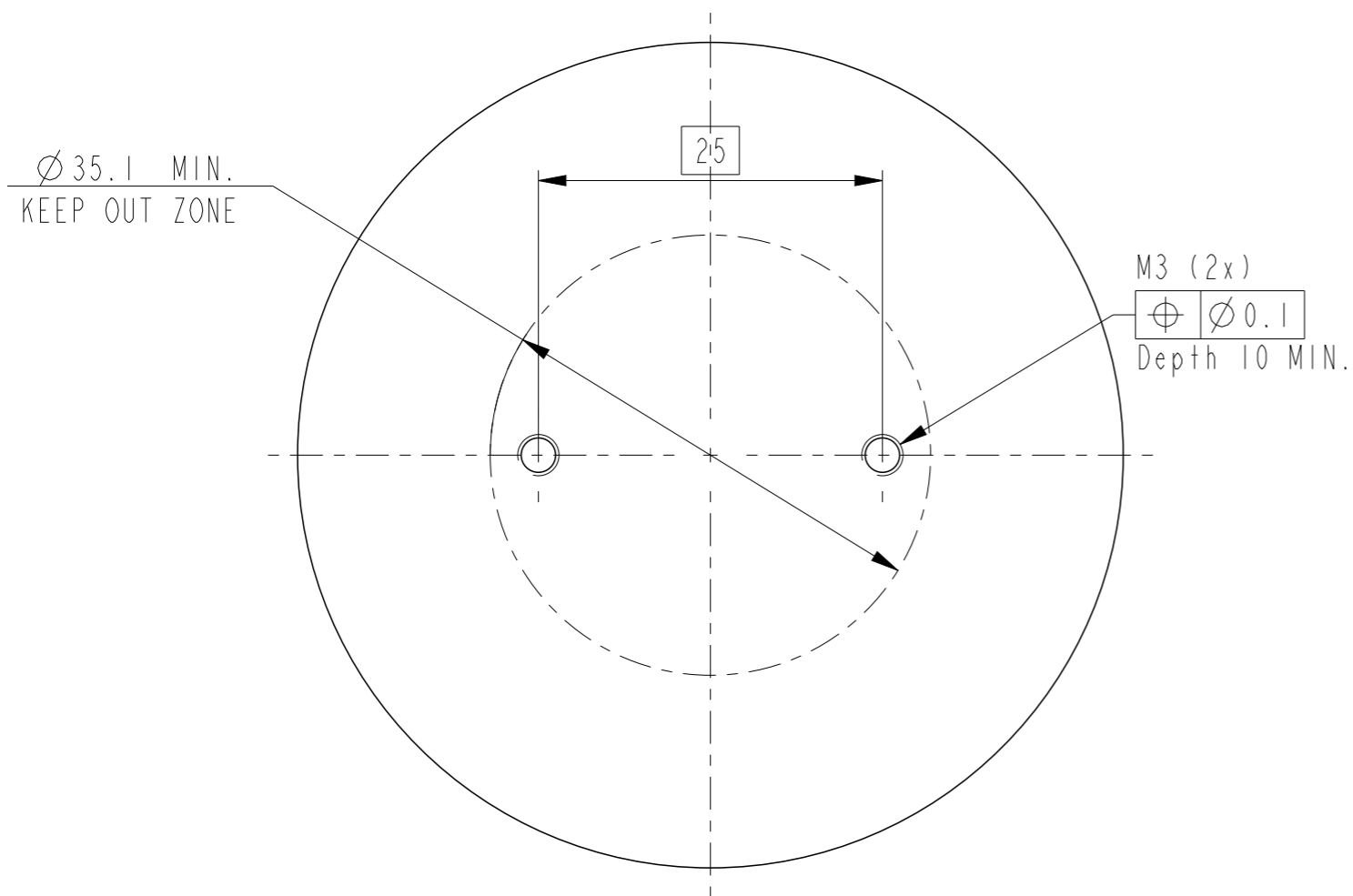
ALL RIGHTS RESERVED.

LOC DIST

REVISIONS

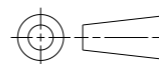
P	LTR	DESCRIPTION	DATE	DWN	APVD
-		SEE SHEET 1	-	-	-

RECOMMENDED DRILLING HOLE PATTERN



THIS DRAWING IS A CONTROLLED DOCUMENT.

DIMENSIONS:
mm



TOLERANCES UNLESS OTHERWISE SPECIFIED:

- 0 PLC ±0.2
- 1 PLC ±0.2
- 2 PLC ±0.1
- 3 PLC ±0.1
- 4 PLC ±0.1
- ANGLES ±5

MATERIAL

FINISH

DWN P. POORTER 22MAY2015

CHK O. LEIJNSE 22MAY2015

APVD O. LEIJNSE 22MAY2015

PRODUCT SPEC
108-133062

APPLICATION SPEC
114-133062

WEIGHT

CUSTOMER DRAWING



TE Connectivity

NAME
MINI COB HOLDER PLATFORM

SIZE	CAGE CODE	DRAWING NO	RESTRICTED TO
------	-----------	------------	---------------

A3	00779	C-2213678	-
----	-------	-----------	---

SCALE	SHEET	OF	REV
2:1	3	3	B1