

THIS DRAWING IS UNPUBLISHED.

RELEASED FOR PUBLICATION

20

© COPYRIGHT 20 BY -

ALL RIGHTS RESERVED.

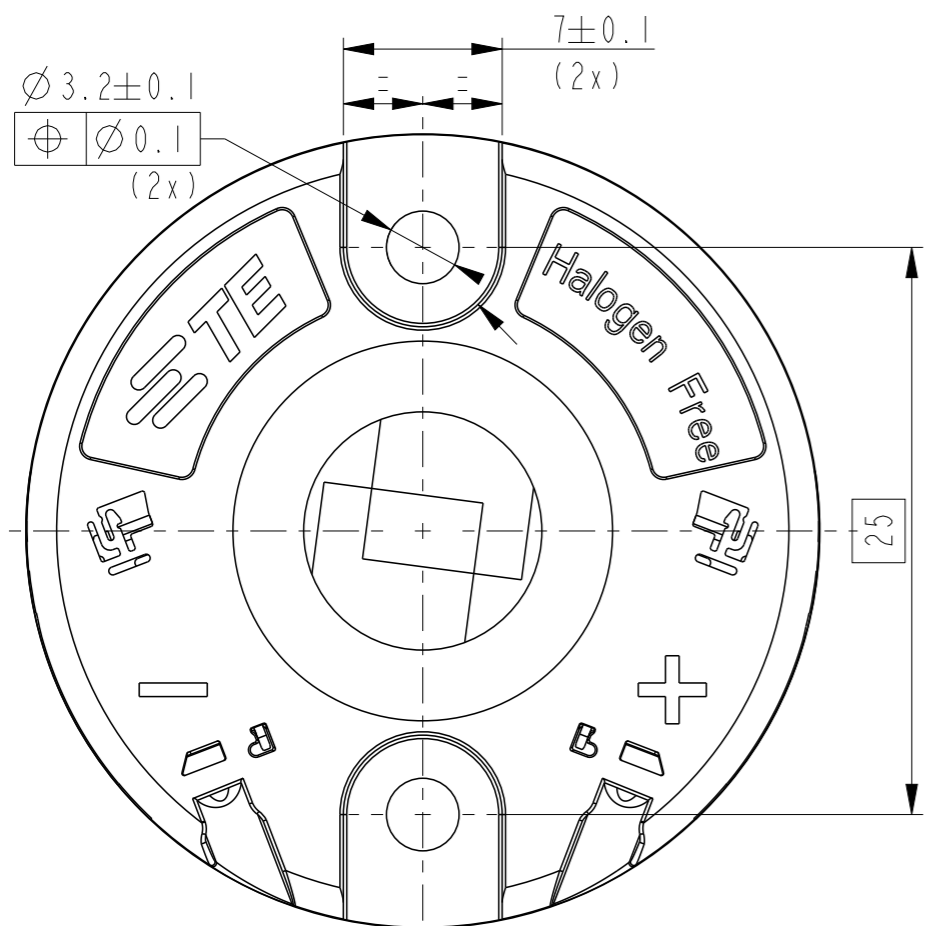
LOC DIST

REVISIONS

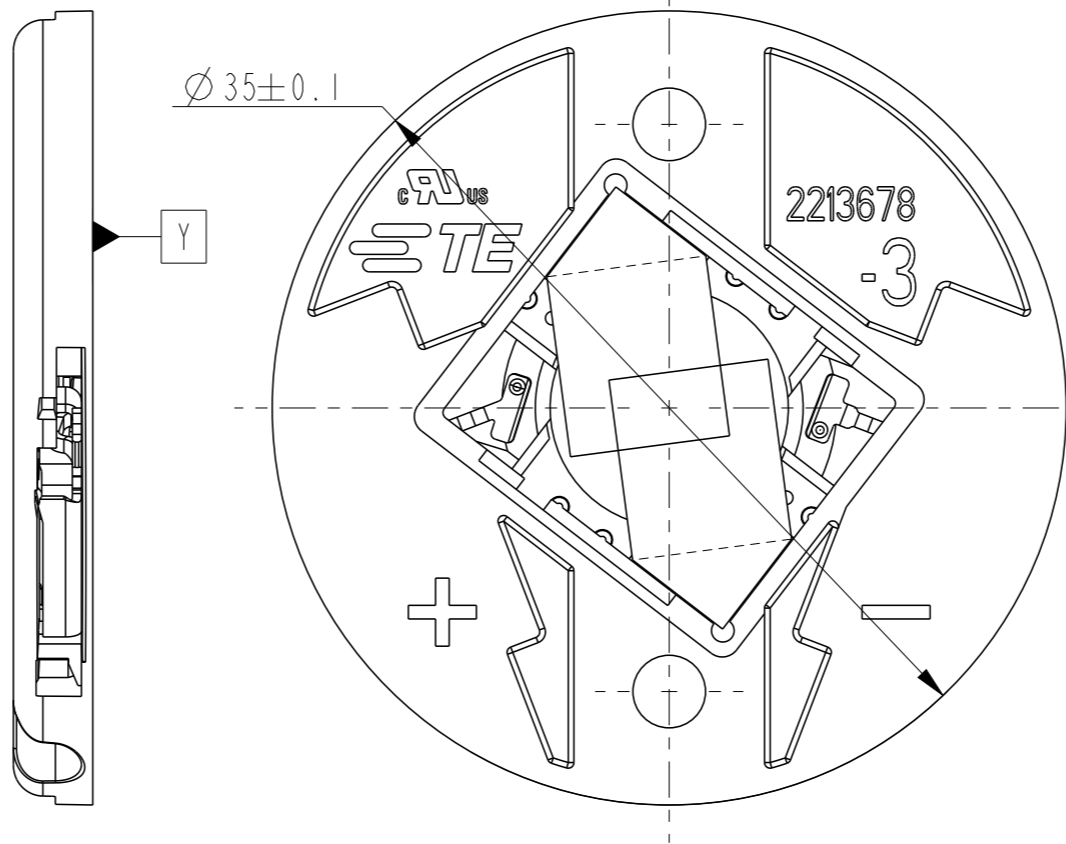
P	LTR	DESCRIPTION	DATE	DWN	APVD
A		RELEASED FOR PRODUCTION	31AUG2016	KR	MvE
B		NEW PRODUCT INTRODUCTION	12SEP2016	KR	MvE
BI		ECR-16-013138	14SEP2016	KR	MvE

NOTES:

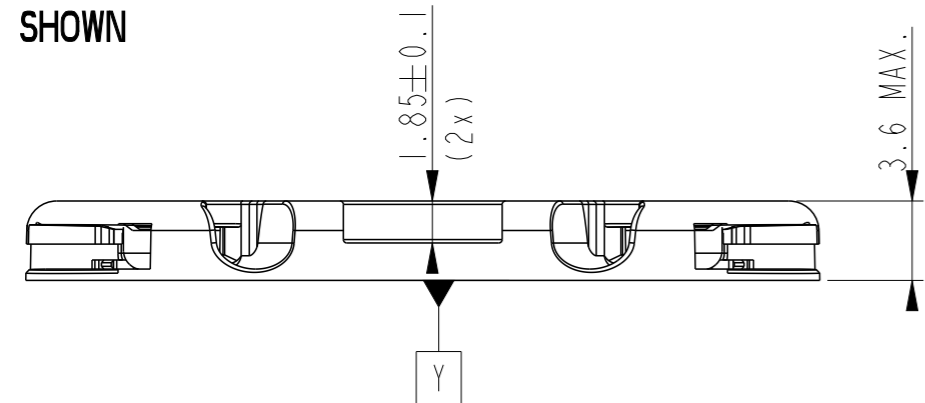
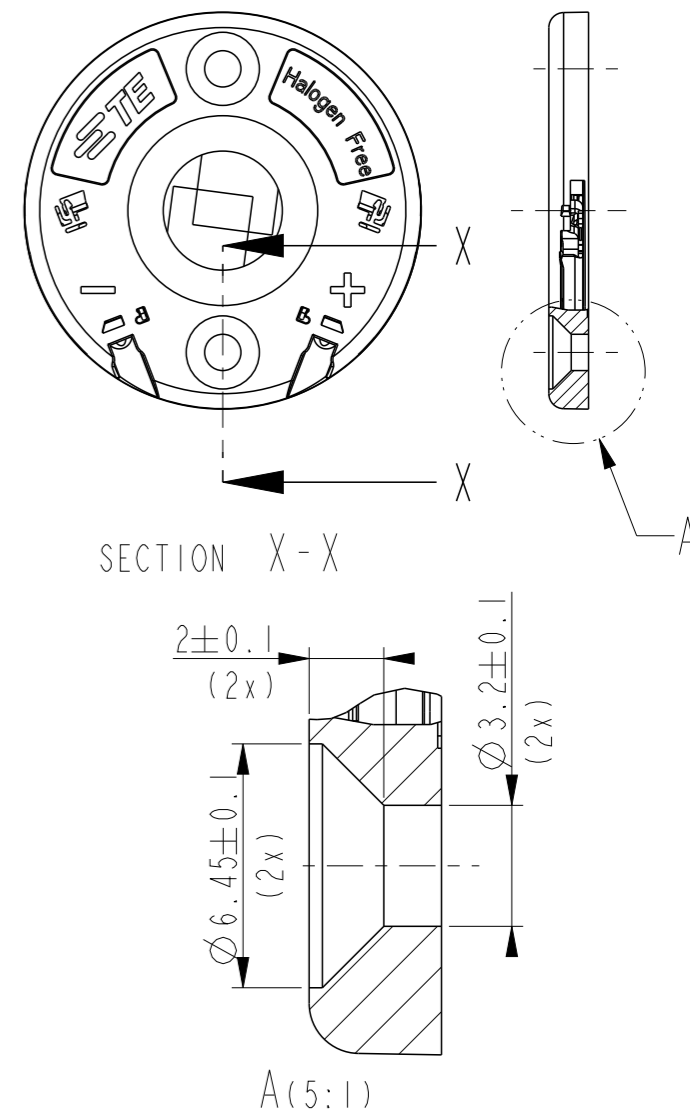
- MATERIALS:
 - HOLDER: PBT, COLOR: NATURAL,
 - CONTACTS: COPPER ALLOY, Ni/Au PLATING.
- FOR SOLID, FUSED AND STRANDED WIRE TYPES AWG 18 AND 20 ACC. UL 1007.
- WIRE STRIP LENGTH: 11-12 mm
- MAX. WIRE INSULATION OUTER DIAM.: $\varnothing 2.3\text{mm}$.
- RECOMMENDED SCREW TORQUE: 0.4 - 0.6 Nm.
- SCREWS TO BE USED:
 - PAN HEAD M3, #4-40 AND COUNTERSUNK M3 (2x), SEE TABLE SHEET 2.
- FOR LED THICKNESS RANGE 0.9-1.0 NOM.
- LED MATING ON 2 CORNERS WITH ADHESIVE TAPE.
- SPECIAL PACKAGING IN 10 PIECES TRAY.



P/N 2213678-3 AS SHOWN



P/N 2213678-4 AS SHOWN

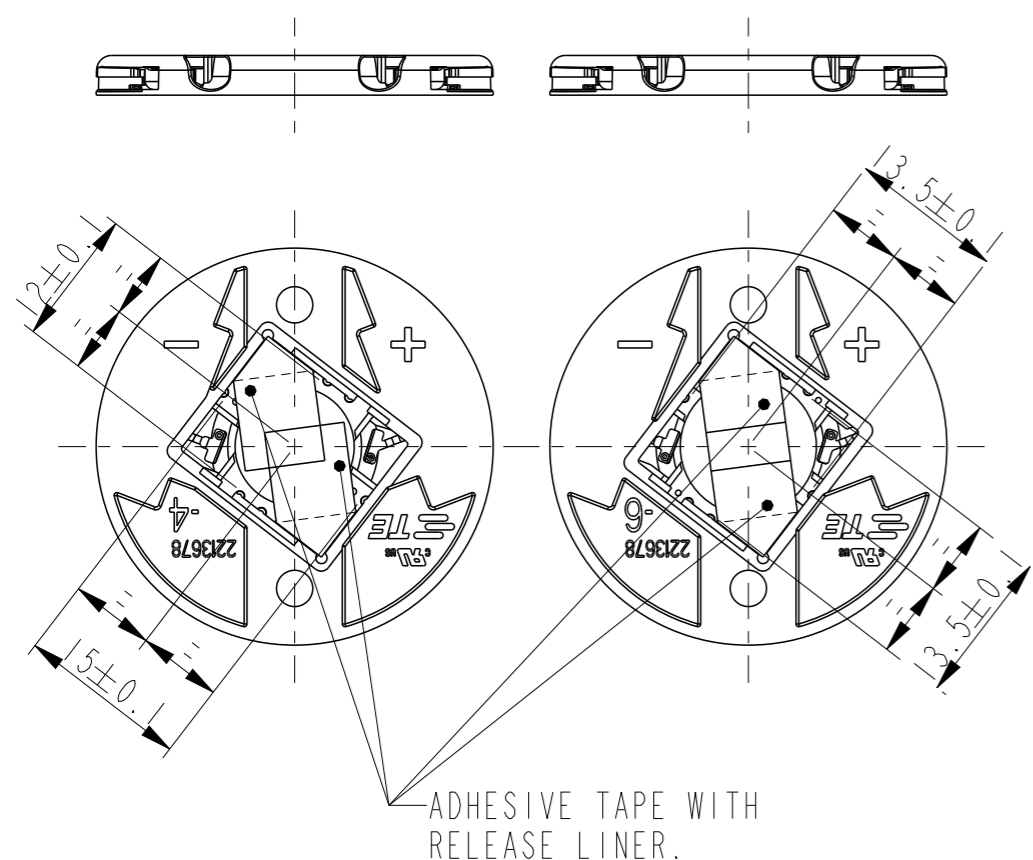
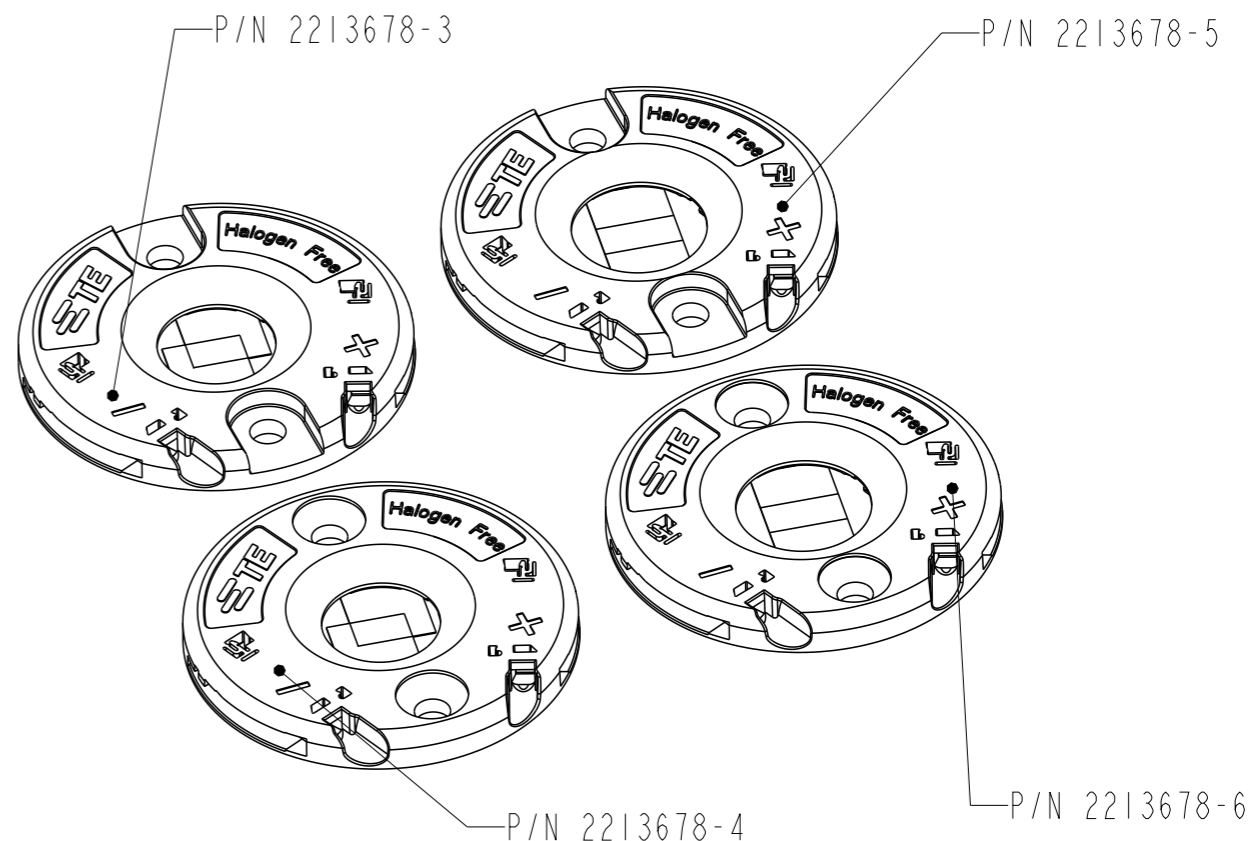
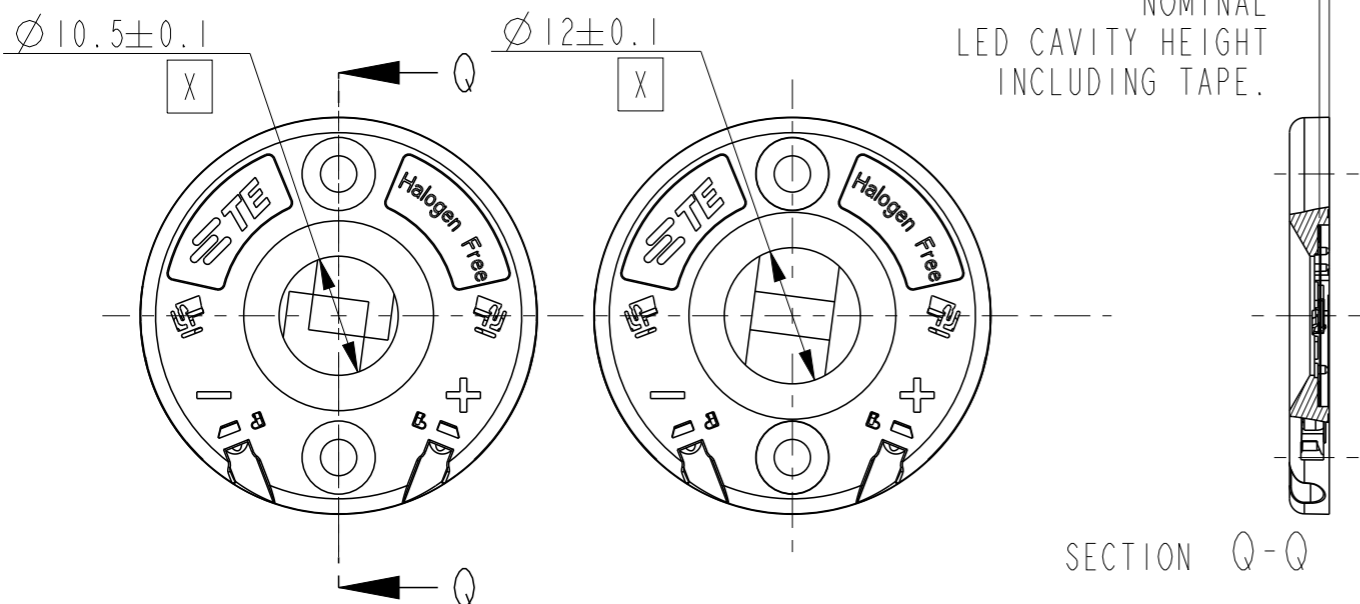


THIS DRAWING IS A CONTROLLED DOCUMENT.		DWN P. POORTER 22MAY2015	STE TE Connectivity	
DIMENSIONS: mm		CHK O. LEIJNSE 22MAY2015		
TOLERANCES UNLESS OTHERWISE SPECIFIED:		APVD O. LEIJNSE 22MAY2015	NAME MINI COB HOLDER PLATFORM	
0 PLC ±0.2		PRODUCT SPEC 108-133062	RESTRICTED TO	
1 PLC ±0.2		APPLICATION SPEC 114-133062	SIZE A3	CAGE CODE 00779
2 PLC ±0.1		WEIGHT	DRAWING NO C-2213678	
3 PLC ±0.1		CUSTOMER DRAWING	SCALE 3:1	SHEET 1 OF 3
4 PLC ±0.1			REV BI	
ANGLES ±5				
FINISH				

LOC	DIST	REVISIONS			
P	LTR	DESCRIPTION	DATE	DWN	APVD
		SEE SHEET 1	-	-	-

LED OUTLINE:
P/N 1-2213678-4 (NO TAPE)
P/N 1-2213678-3 (NO TAPE)
P/N 2213678-3
P/N 2213678-4 (SHOWN)

LED OUTLINE:
P/N 1-2213678-6 (NO TAPE)
P/N 1-2213678-5 (NO TAPE)
P/N 2213678-5
P/N 2213678-6 (SHOWN)



2-2213678-3	35mm LED Holder	12*15	PAN HEAD	YES	YES
1-2213678-6	35mm LED Holder	13.5*13.5	COUNTERSUNK	NO	ON REQUEST
1-2213678-5	35mm LED Holder	13.5*13.5	PAN HEAD	NO	ON REQUEST
1-2213678-4	35mm LED Holder	12*15	COUNTERSUNK	NO	ON REQUEST
1-2213678-3	35mm LED Holder	12*15	PAN HEAD	NO	YES
2213678-6	35mm LED Holder	13.5*13.5	COUNTERSUNK	YES	YES
2213678-5	35mm LED Holder	13.5*13.5	PAN HEAD	YES	YES
2213678-4	35mm LED Holder	12*15	COUNTERSUNK	YES	YES
2213678-3	35mm LED Holder	12*15	PAN HEAD	YES	YES
PART NO	DESCRIPTION	LED OUTLINE	SCREW TYPE	TAPE	AVAILABLE

THIS DRAWING IS A CONTROLLED DOCUMENT.

DWN P. POORTER 22MAY2015
CHK O. LEIJNSE 22MAY2015
APVD O. LEIJNSE 22MAY2015

STE TE Connectivity

NAME MINI COB HOLDER PLATFORM

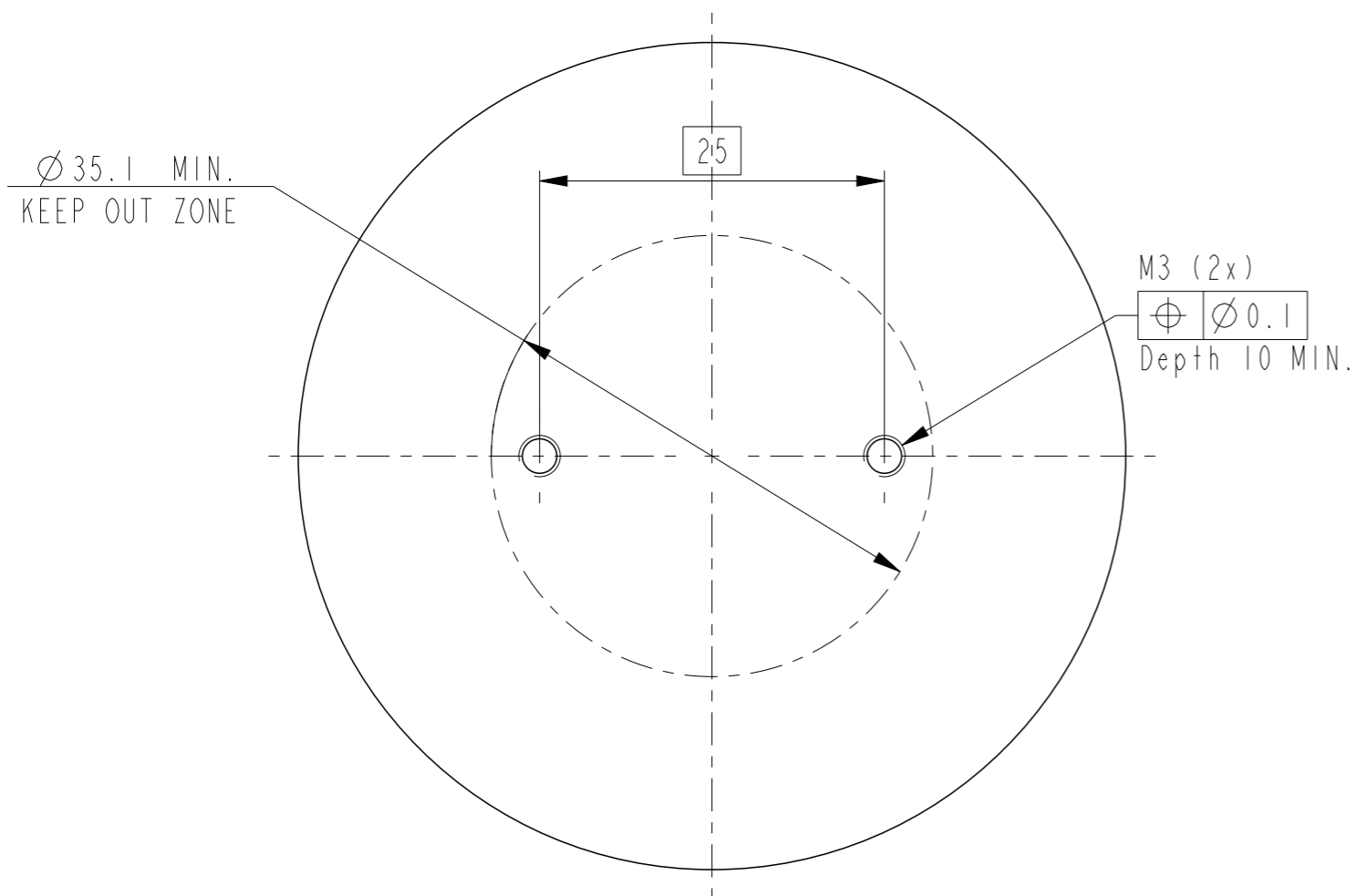
PRODUCT SPEC 108-133062
APPLICATION SPEC 114-133062

SIZE A3 CAGE CODE 00779 DRAWING NO C-2213678 RESTRICTED TO -

MATERIAL FINISH WEIGHT CUSTOMER DRAWING SCALE 3:2 SHEET 2 OF 3 REV B1

P	LTR	DESCRIPTION	DATE	DWN	APVD
-		SEE SHEET 1	-	-	-

RECOMMENDED DRILLING HOLE PATTERN



THIS DRAWING IS A CONTROLLED DOCUMENT.

DIMENSIONS:	TOLERANCES UNLESS OTHERWISE SPECIFIED:
mm	
	0 PLC ±0.2
	1 PLC ±0.2
	2 PLC ±0.1
	3 PLC ±0.1
	4 PLC ±0.1
	ANGLES ±5

MATERIAL FINISH

DWN	P. POORTER	22MAY2015
CHK	O. LEIJNSE	22MAY2015
APVD	O. LEIJNSE	22MAY2015
PRODUCT SPEC	108-133062	
APPLICATION SPEC	114-133062	
WEIGHT		

STE TE Connectivity

NAME: MINI COB HOLDER PLATFORM

SIZE	CAGE CODE	DRAWING NO	RESTRICTED TO
A3	00779	C-2213678	-

CUSTOMER DRAWING SCALE: 2:1 SHEET 3 OF 3 REV B1