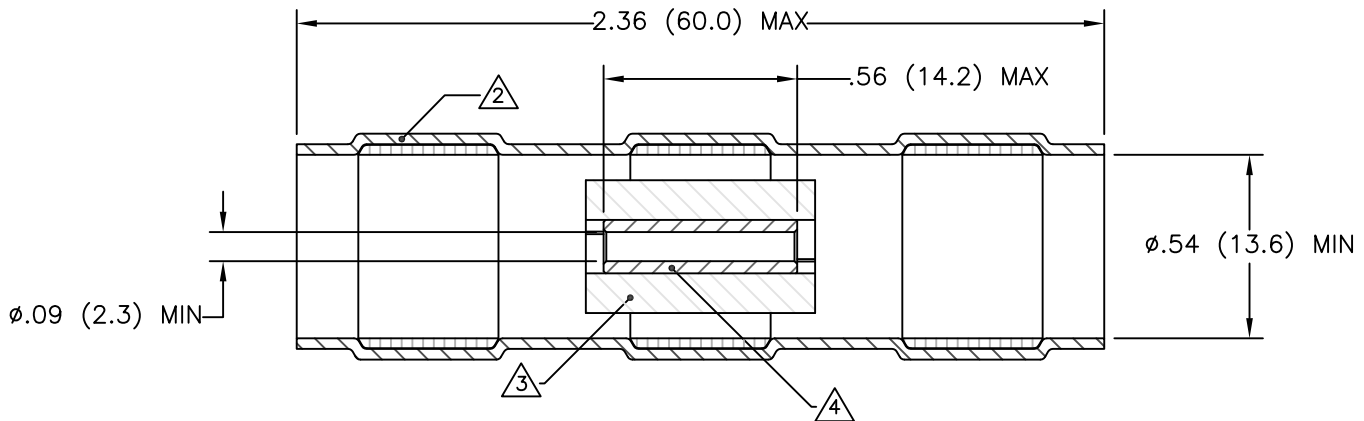


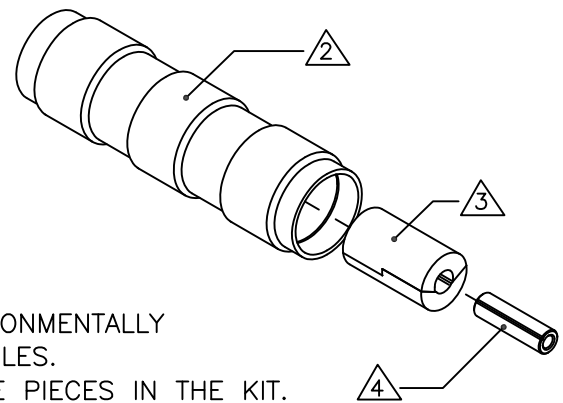
TE CONNECTIVITY (TE) RESERVES THE RIGHT TO CHANGE THIS DRAWING AT ANYTIME. USERS SHOULD EVALUATE THE SUITABILITY OF THE PRODUCT FOR THEIR APPLICATION.

REVISION

LTR	DESCRIPTION	DATE	APPROVED
A	REVISED PER ECO-15-013263	09/09/2015	N. PRZYBYLSKA



MATCHED IMPEDANCE SPLICE FOR RG393 COAXIAL CABLE REPAIR



NOTES:

- THIS PRODUCT IS DESIGNED FOR USE IN MAKING ENVIRONMENTALLY PROTECTED PERMANENT JOINTS ON RG393 COAXIAL CABLES. COMPONENTS 2, 3, 4, WILL BE SUPPLIED AS LOOSE PIECES IN THE KIT.

2 SOLDERSLEEVE MATERIALS:
 INSULATION SLEEVE: HEAT-SHRINKABLE, TRANSPARENT BLUE, RADIATION CROSS-LINK MODIFIED POLYVINYLIDENE FLUORIDE.
 MELTABLE RINGS: THERMALLY STABILIZED THERMOPLASTIC - COLOR: BLUE.
 SOLDER: TYPE Sn63 PER ANSI-J-STD-006.

3 DIELECTRIC INSERT MATERIAL: FLUORINATED ETHYLENE PROPYLENE.

4 CRIMP BARREL MATERIAL: ANNEALED COPPER PER ASTM B-152.
 FINISHES: TIN PLATED PER MIL-T-10727.

- INSTALLATION REQUIREMENTS TOOL: CV1981 HEAT GUN WITH PR13C REFLECTOR.
- FOR INSTALLATION PROCEDURE AND APPLICATION EQUIPMENT, REFER TO RPIP-1108.
- FOR PERFORMANCE AND TEST SPECIFICATIONS, REFER TO SPECIFICATION D-6204.
- FOR ADDITIONAL ORDERING INFORMATION, CONTACT TE TECHNICAL SUPPORT.

If this document is printed it becomes uncontrolled. Check for the latest revision

©2015 TE CONNECTIVITY LTD. FAMILY OF COMPANIES. ALL RIGHTS RESERVED
 TE CONNECTIVITY AND TE CONNECTIVITY (LOGO) ARE TRADEMARKS.
 OTHER LOGOS PRODUCT AND/OR COMPANY NAMES MAY BE TRADEMARKS OF THEIR RESPECTIVE OWNERS.

Raychem Devices
 CUSTOMER DRAWING

UNLESS OTHERWISE SPECIFIED DIMENSIONS ARE IN INCHES. REFERENCE METRIC DIMENSIONS ARE IN BRACKETS [metric].	DRAWN: T. NGUYEN	DATE: 03/23/2015		TE Connectivity		
	CHECKED: N. PRZYBYLSKA	DATE: 03/25/2015				
DECIMALS TOLERANCES: XXX ± .005 [0.13mm] XX ± .01 [0.25mm] X ± .1 [0.50mm]	APPROVED: N. PRZYBYLSKA	DATE: 04/10/2015	TITLE: D-150-Z393 - SOLDERSLEEVE			
	MATERIAL: SEE NOTES	FINISH: SEE NOTES				
ANGLES TOLERANCE: ± 1°			SIZE: A	SHEET: 1 OF 1	CAGE CODE: 06090	DRAWING NO: D-150-Z393
SCALE: DO NOT SCALE THIS DRAWING	CAD FILE: D-150-Z393.dwg	THIRD ANGLE PROJECTION:				REV. A