

6

5

4

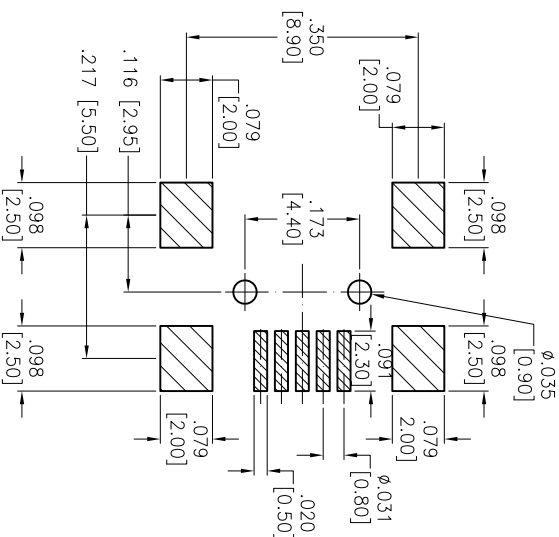
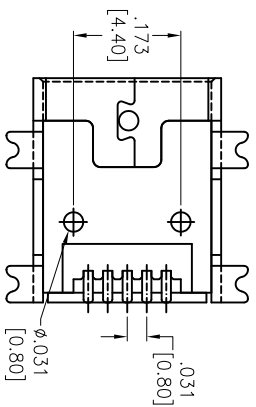
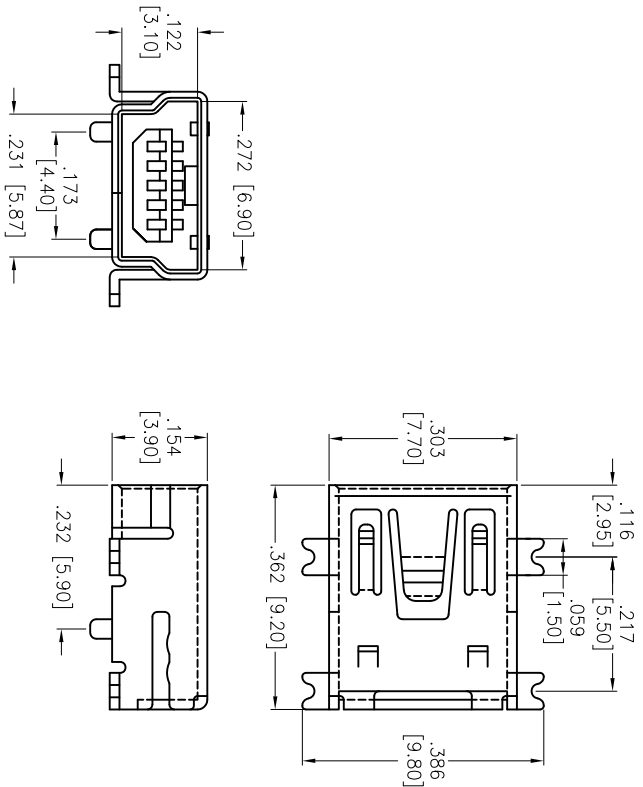
3

2

1

APPROVED: \_\_\_\_\_  
DATE: \_\_\_\_\_ TITLE: \_\_\_\_\_

Rev	AWO #	Description	Date	Appr
-		RELEASED	7/23/08	
A		REVISED SPEC.	8/24/10	
B		REDRAWN	12/16/10	
C		REDRAWN	2/9/15	AV/NP



RECOMMENDED PCB LAYOUT

SPECIFICATIONS:

- Material: Insulator: Hi-temp thermoplastic, rated UL 94V-0
- Insulator color: Black
- Contacts: Copper Alloy
- Shell: Copper Alloy, Nickel plated
- Plating: Gold Flash over Nickel underplate on contact area, Tin over Copper underplate on SMT tails
- Electrical: Voltage rating: 30 VDC max. Current rating: 1.0 Amp max. Contact resistance: 50 mohms max. Insulation resistance: 100 Mohms min. Dielectric withstanding voltage: 300 VAC for 1 minute
- Environmental: Lead free, RoHS compliant.



A

B

C

D

A

B

C

D

**ADAM TECH**

909 Railway Avenue, Union, NJ 07083  
Phone: 908-687-5000 Fax: 908-687-5710

TITLE: MINI USB, TYPE B, 5 pin, SINGLE PORT  
RIGHT ANGLE, SMT

UNLESS OTHERWISE SPECIFIED ALL DIMENSIONS ARE IN INCHES [MM] TOLERANCES: EXCEPT AS NOTED		SIZE		PART NO.	
INCHES		X		MUSB-B5-S-RA-TSMT	
HOLE		X		SCALE: NTS	
HOLE		X		SHEET 1 OF 1	
DATE		DATE		REV. C	
APPROVALS		DATE		REV. C	
DRAWN		SS		7/23/08	
CHECKED					
APPROVED					

6

5

4

3

2

1