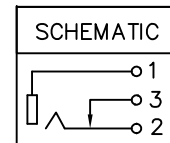
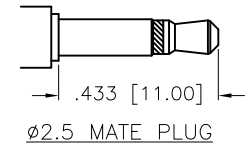
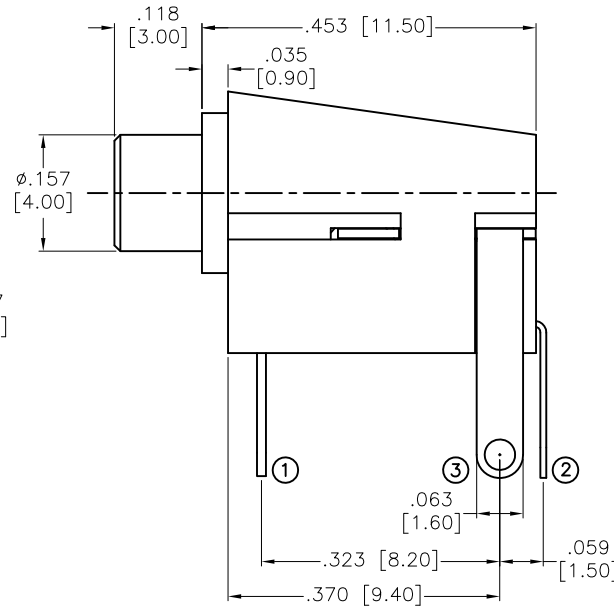
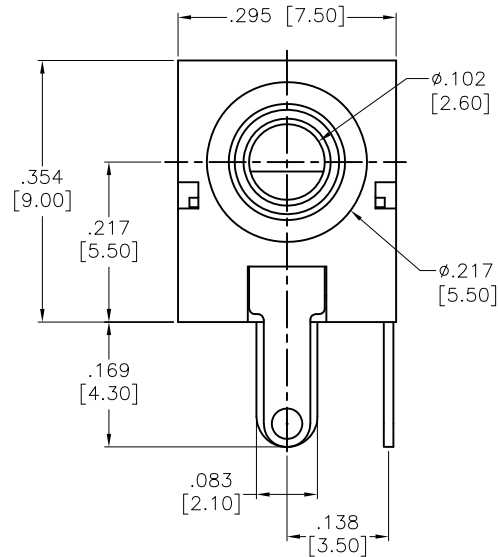
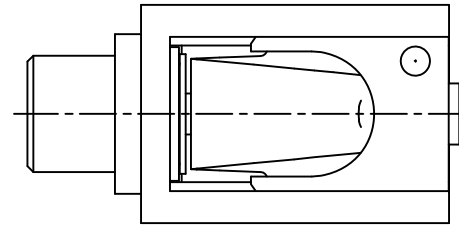
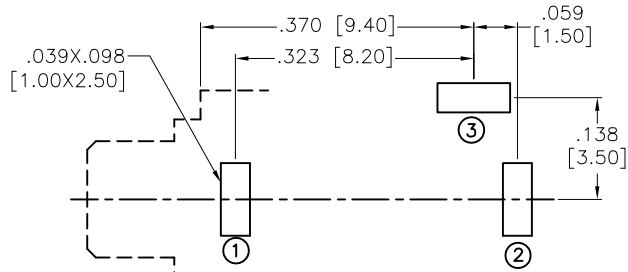


APPROVED: _____
 DATE: _____ TITLE: _____

Rev	AWO #	Description	Date	Appr
-		RELEASED	5/11/09	
A		UPDATE DRAWING	5/26/16	AY/OC



SPECIFICATIONS:
 Material:
 Housing: PBT, Rated UL94V-0
 Contacts: Copper Alloy
 Bushing: Brass, Nickel plated
 Plating:
 Tin over Copper underplate
 Electrical:
 Rating: 12VDC, 1A max.
 Contact Resistance: 50 mOhm Max
 Insulation Resistane: 100 Mohm Min@ DC 250V
 Dielectric Withstanding Voltage: 500V AC For 1 Minute.
 Temperature Rating:
 Operating temperature: -25°C to +85°C
 Environmental:
 Lead free, RoHS compliant.



UNLESS OTHERWISE SPECIFIED
 ALL DIMENSIONS ARE INCHES [MM]
 TOLERANCES: EXCEPT AS NOTED

INCHES		HOLES	
.X	± .10	Ø.X	± .10
.XX	± .020	Ø.XX	± .015
.XXX	± .015	Ø.XXX	± .010

ADAM TECH
 909 Rahway Avenue, Union, NJ 07083
 Phone: 908-687-5000 Fax: 908-687-5710

APPROVALS		DATE
DRAWN	DY	5/11/09
CHECKED		
APPROVED		

TITLE			
2.5MM STEREO PHONE JACK			
SIZE	PART NO.	REV.	
X	ASJ-101-3A	A	
REF:	S00021C	SCALE: NTS	SHEET 1 OF 1