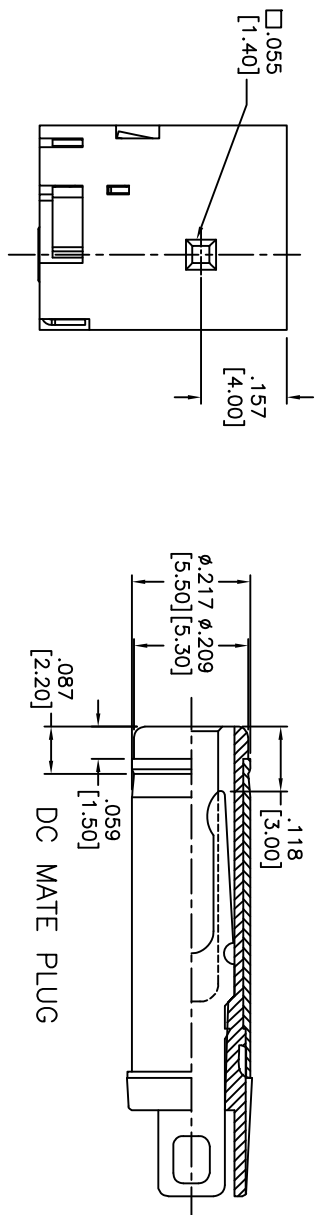
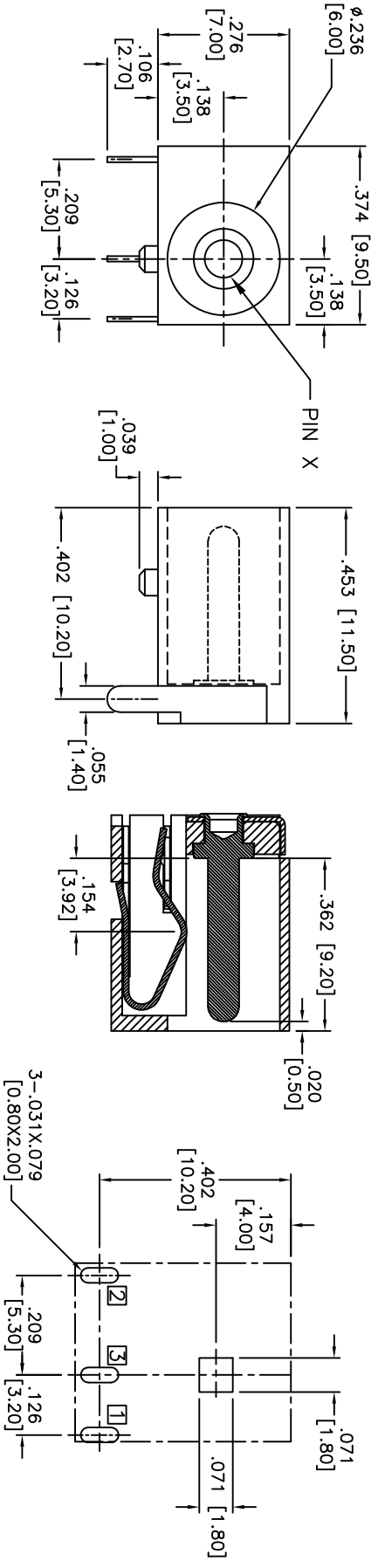


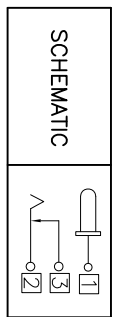
APPROVED: _____
 DATE: _____ TITLE: _____

Rev	AWO #	Description	Date	Appr
-		RELEASED	5/10/12	
A		REVISED DIM.	1/23/13	



RECOMMENDED PCB LAYOUT

PART NO.	CENTER PIN DIA.
ADC-045-1-HT	.079 [2.00]
ADC-045-2-HT	.098 [2.50]
ADC-045-9-HT	.065 [1.65]



SPECIFICATIONS:

Material: Hi-temp thermoplastic, rated UL 94V-0
Insulator color: Black
Center Pin: Brass, Nickel plated
Contacts: Copper Alloy

Plating: Silver over Nickel underplate

Electrical: Operating voltage: 25 VDC max.

Current rating: 3 Amp max.

Contact resistance: 30 mohms max.

Insulation resistance: 100 Mohms min.

Dielectric withstanding voltage: 500 VAC for 1 minute

Temperature Rating:

Operating temperature: -20°C to +70°C

Environmental: Lead free, RoHS compliant



UNLESS OTHERWISE SPECIFIED ALL DIMENSIONS ARE INCHES [MM]	
TOLERANCES: EXCEPT AS NOTED	
INCHES	
HOLES	
.X ± .10	Ø.X ± .10
.XX ± .020	Ø.XX ± .015
.XXX ± .015	Ø.XXX ± .010
APPROVALS	DATE
DRAWN AY	5/10/12
CHECKED OC	5/10/12
APPROVED	

ADAM TECH
 909 Railway Avenue, Union, NJ 07083
 Phone: 908-687-5000 Fax: 908-687-5710

TITLE: 1.65mm, 2.00mm, 2.50mm CENTER PIN
 DC POWER JACK

SIZE	PART NO.	SCALE	SHEET	REV.
X	ADC-045-X-HT	NTS	1 OF 1	A