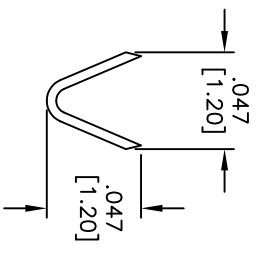
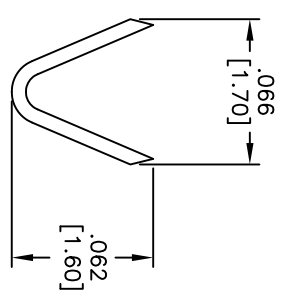
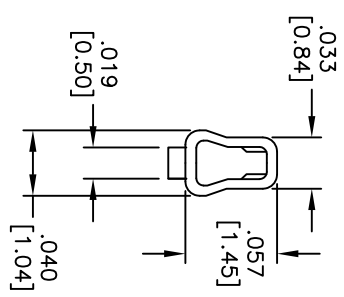
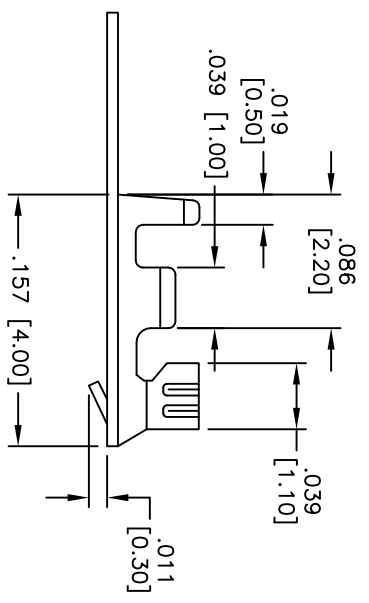
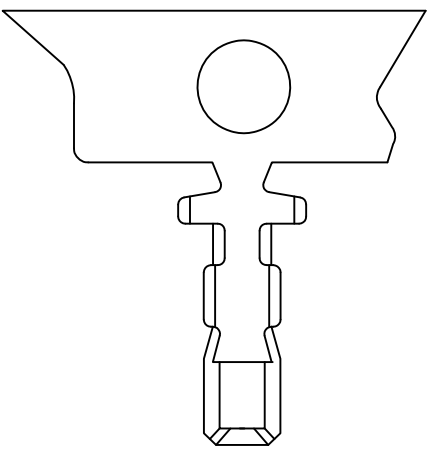


APPROVED: _____
 DATE: _____ TITLE: _____

Rev	AWO #	Description	Date	Appr
-		RELEASED	3/19/07	
A		UPDATED SPECIFICATIONS	7/28/09	



SPECIFICATIONS:

Material:
 Contact: Phosphor Bronze
 Plating:
 Tin over Copper underplate overall
Electrical:
 Operating voltage: 100 VAC max
 Wire range: 24-28 AWG
 Current rating: 1.5 Amp max
 Contact resistance: 20 mohms max
 Insulation resistance: 500 mohms min.
 Withstan Voltage: 500V AC/Minute
Temperature Rating:
 Operating temperature: -25°C to +85°C
 Environmental:
 Lead free, RoHS compliant

UNLESS OTHERWISE SPECIFIED ALL DIMENSIONS ARE IN INCHES [MM]	
TOLERANCES: EXCEPT AS NOTED	
INCHES	HOLDS
.X ± .10	ØXX ± .10
.XX ± .020	ØXXX ± .015
.XXX ± .015	ØXXXX ± .010
APPROVALS	DATE
DRAWN	BW
CHECKED	
APPROVED	

ADAM TECH
 909 Rahway Avenue, Union, NJ 07083
 Phone: 908-687-5000 Fax: 908-687-5710

TITLE		PART NO.		REV.
ZH 1.5mm TERMINAL		15CTA-R		A
SIZE	SCALE:	SHEET	1 OF 1	
X	NTS			

6 5 4 3 2 1

A B C D