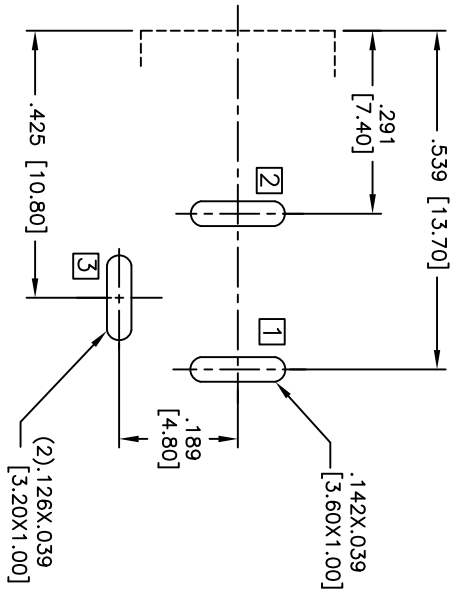
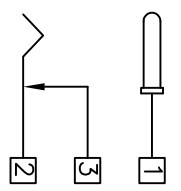
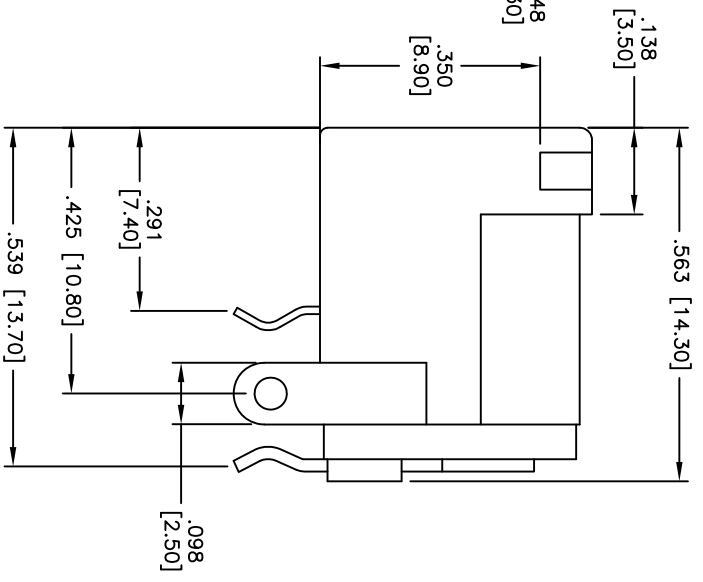
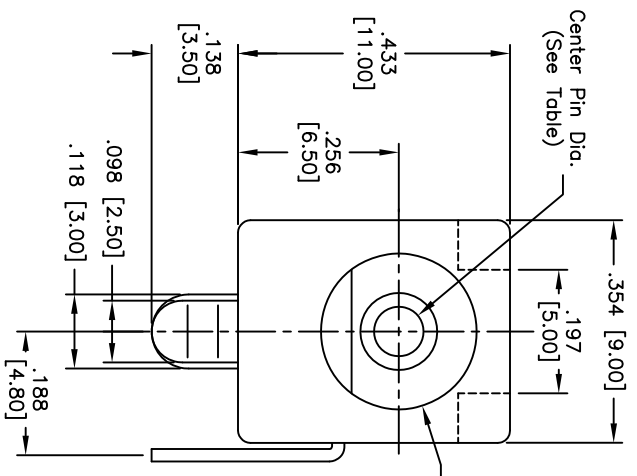


APPROVED: \_\_\_\_\_  
 DATE: \_\_\_\_\_ TITLE: \_\_\_\_\_



PART NO.	X
ADC-002-1-RT1-N	φ.079 [2.00]
ADC-002-2-RT1-N	φ.098 [2.50]
ADC-002-5-RT1-N	φ.093 [2.35]

**SPECIFICATIONS:**  
 Material: PBT, Glass reinforced, rated UL 94V-0  
 Insulator color: Black  
 Center Pin: Brass, Nickel plated  
 Contacts: Copper Alloy  
 Plating: Tin over Nickel underplate  
 Operating voltage: 20 VDC  
 Electrical:  
 Current rating: 4.0 Amp  
 Contact resistance: 30 mohms max.  
 Insulator resistance: 100 Mohms min.  
 Dielectric withstanding voltage: 500 VAC for 1 minute  
 Temperature Rating:  
 Operating temperature: -20°C to +70°C  
 Environmental:  
 Lead free, RoHS compliant



Rev	AWO #	Description	Date	Appr
-		RELEASED	2/11/10	
A		REVISED SPEC	9/2/11	

UNLESS OTHERWISE SPECIFIED ALL DIMENSIONS ARE INCHES [MM]	
TOLERANCES: EXCEPT AS NOTED	
.X ± .10	ØX ± .10
.XX ± .020	ØXX ± .015
.XXX ± .015	ØXXX ± .010
APPROVALS	DATE
DRAWN	DY
CHECKED	
APPROVED	

**ADAM TECH**  
 909 Railway Avenue, Union, NJ 07083  
 Phone: 908-687-5000 Fax: 908-687-5710

TITLE: DC POWER JACK, 2.00mm, 2.50mm, 2.35mm  
 CENTER PIN

SIZE: X PART NO.: ADC-002-X-RT1-N REV: A  
 REF: S0002C SCALE: NTS SHEET 1 OF 1