

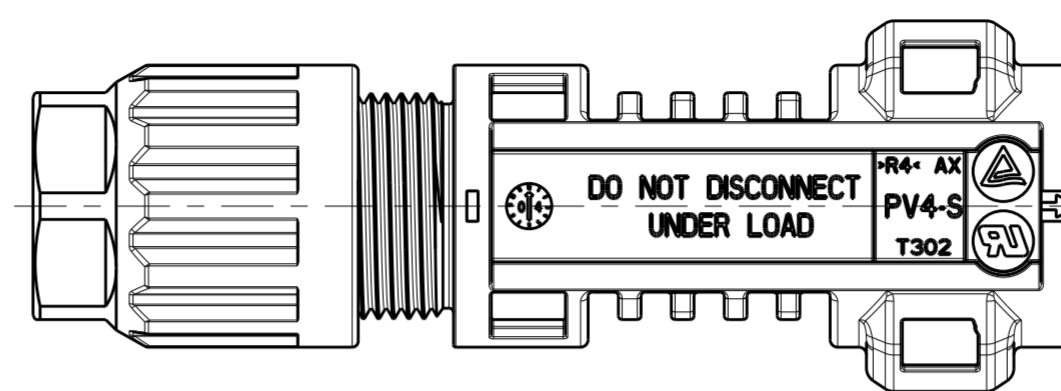
REVISIONS						
LOC	DIST	P	LTR	DESCRIPTION	DATE	APVD
-	-	A5		ADD PV4-S1 RATING INFORMATION	25MAY2016	LW PY

1 SPECIFICATION:

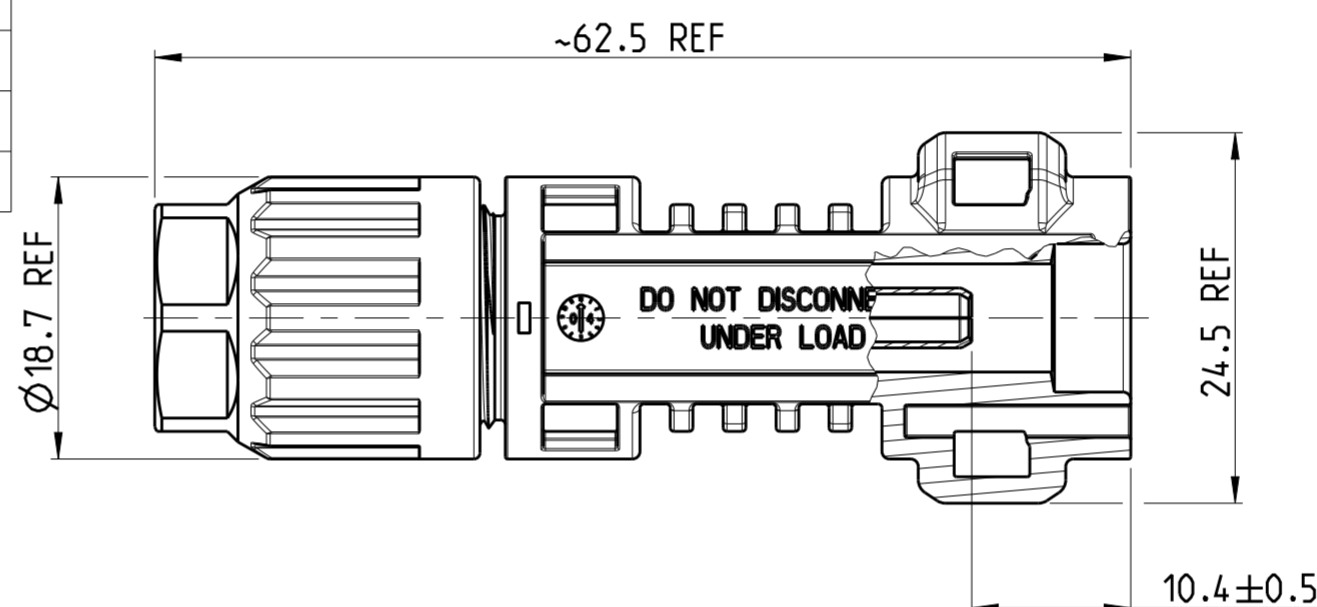
CABLE CONDUCTOR SIZE	2.5MM2/14AWG	4.0MM2/AWG12	6.0MM2/AWG10
RATED CURRENT (AT 85°C AMBIENT)	UL 15A DC TUV 25A DC	UL 20A DC TUV 35A DC	UL 30A DC TUV 40A DC
RATED VOLTAGE	PV4-S: UL 1000V DC / TUV 1000V DC PV4-S1: UL 1500V DC / TUV 1500V DC		
DEGREE OF PROTECTION, MATED	IP 68 (1m, 24h)		
AMBIENT TEMPERATURE RANGE	-40°C ~ +85°C		
OVERVOLTAGE CATEGORY	III		
POLLUTION DEGREE	2		
CONTACT RESISTANCE	0.5mΩ		
CONTACT MATERIAL	COPPER, TIN PLATED		
INSULATION MATERIAL	THERMOPLASTIC, UL94-V0		
SAFETY CLASS	II		
STRIP LENGTH	6.5mm		
CABLE JACKET DIAMETER	5.5~7.8mm		

2 CONTACT SHOWN UNINSTALLED, FOR REFERENCE ONLY.

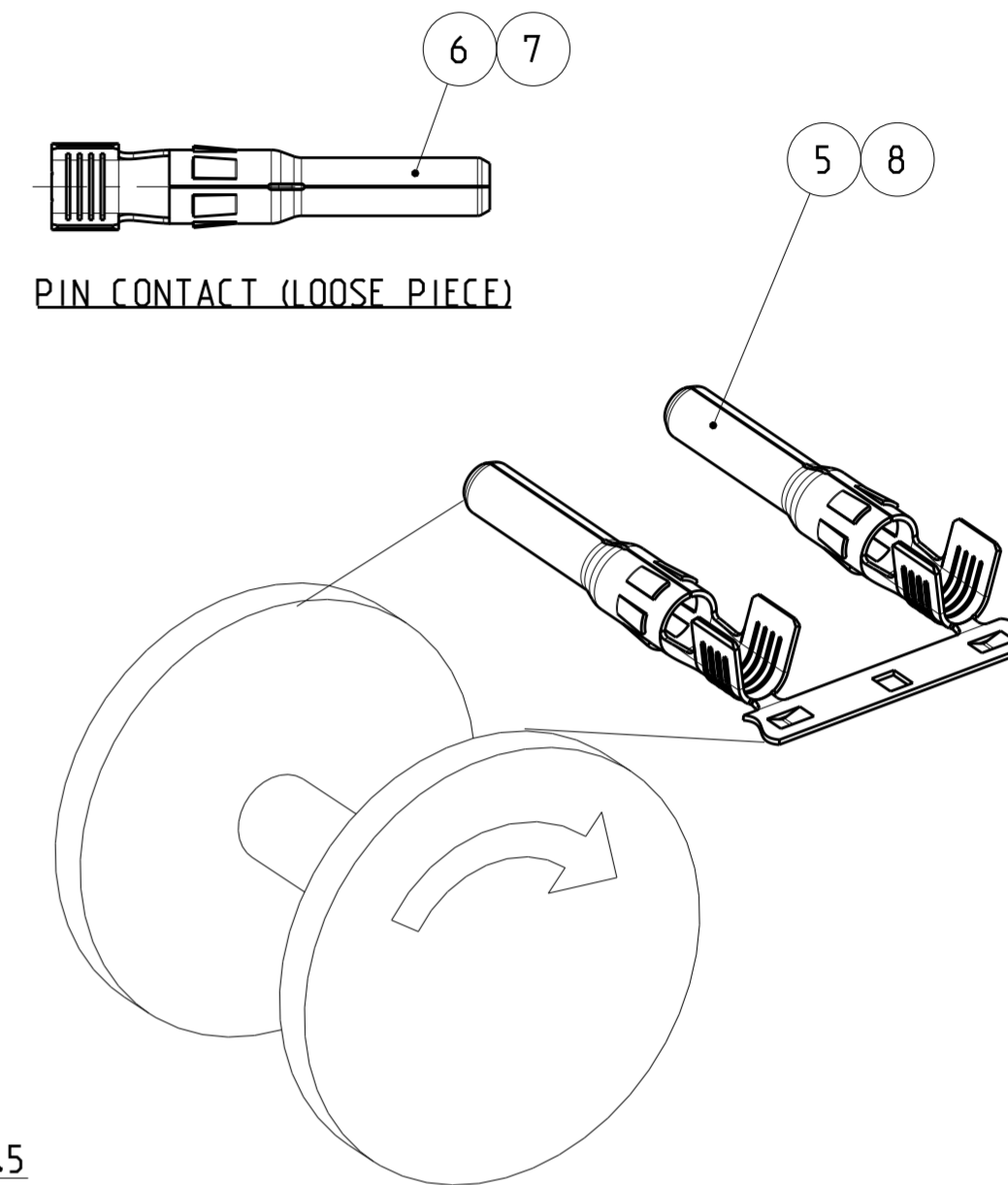
3 USE ONLY CRIMPING TOOL OF TE CONNECTIVITY TO CRIMP CONTACT.
 A. CRIMPING TOOL PN 6-1579014-9 WILL BE USED FOR CRIMPING THE CONTACTS HAVING WIRE SIZE 2.5mm² AND 4.0mm².
 B. CRIMPING TOOL PN 6-1579014-8 WILL BE USED FOR CRIMPING THE CONTACTS HAVING WIRE SIZE 4.0mm² AND 6.0mm².



PREASSEMBLED VIEW AS SHOWN

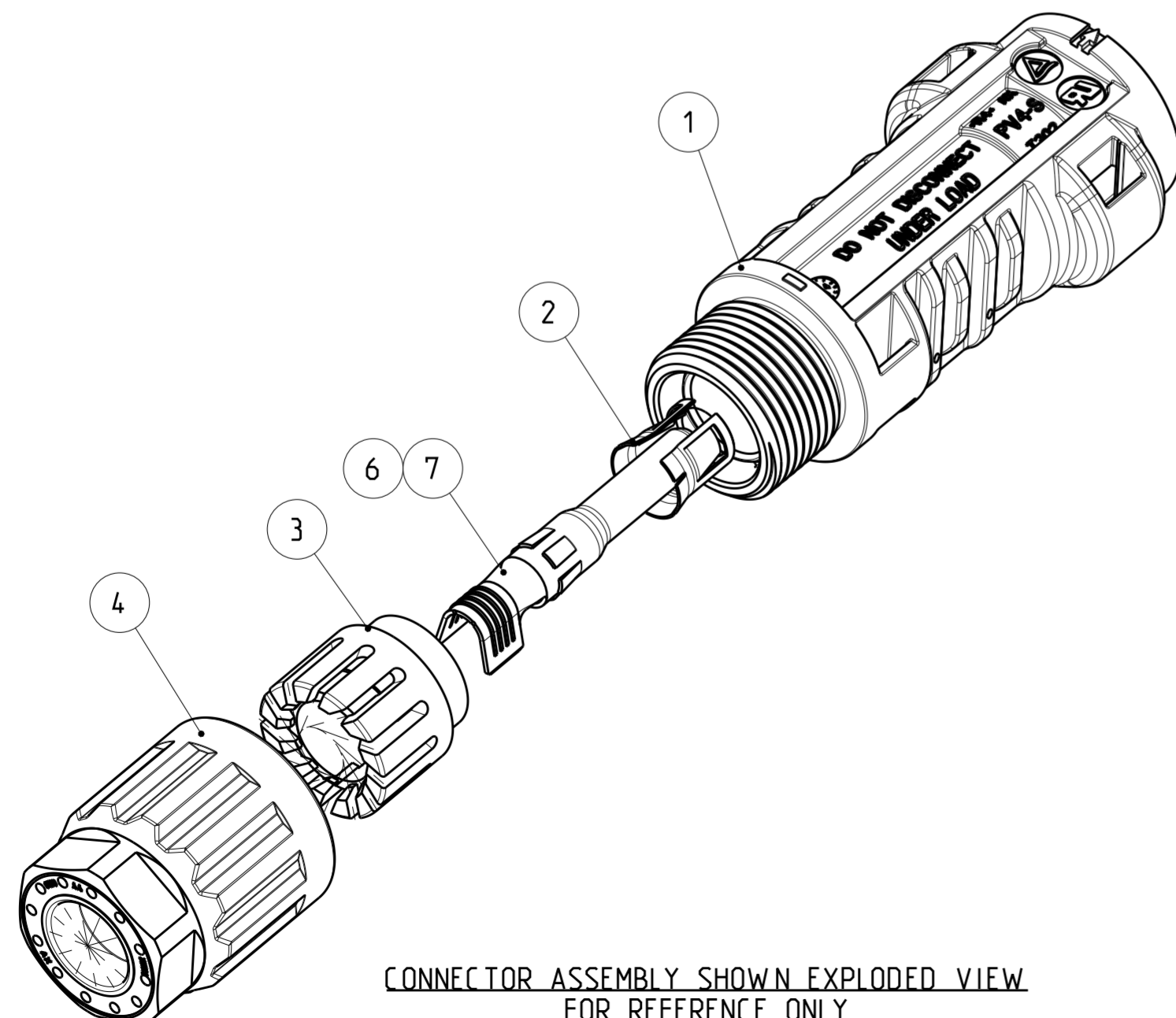


ASSEMBLED VIEW AS SHOWN



STRIP CONTACT COME OFF TO ASSEMBLY
 2000 PCS CONTACTS MOUNTED REEL
 REEL TYPE SUBJECT TO ALTERNATION

-1 AS SHOWN



CONNECTOR ASSEMBLY SHOWN EXPLODED VIEW FOR REFERENCE ONLY

QUANTITY PER ASSEMBLY										DESCRIPTION	ITEM No					
2-	-4	1-	-4	-4	2-	-2	2-	-1	1-	-2	1-	-1	-2	-1	PART NUMBER	
100	2000	1000	100	2000	1000	100	2000	1000	100	2000	1000	100	2000	1000	PACKAGING QTY.	
5.5~6.0		5.5~6.0		6.0~7.8		5.5~6.0		6.0~7.8		5.5~6.0		6.0~7.8		CABLE JACKET DIAMETER in mm		
-	1	-	-	-	-	-	-	-	-	-	-	-	-	-	PIN CONTACT, 2.5mm ² /14AWG, STRIP	8
1	-	1	-	-	-	-	-	-	-	-	-	-	-	-	PIN CONTACT, 2.5mm ² /14AWG, LOOSE PIECE	7
-	-	-	1	1	-	-	1	1	-	1	1	-	-	-	PIN CONTACT, 4~6mm ² /10~12AWG, LOOSE PIECE	6
-	-	-	-	-	1	1	-	-	-	-	-	-	-	-	PIN CONTACT, 4~6mm ² /10~12AWG, STRIP	5
1	1	1	1	1	1	1	1	1	1	1	1	1	1	1	CABLE SCREW JOINT	4
1	1	1	1	1	1	1	1	1	1	1	1	1	1	1	PINCH RING SEAL INMOLDED, ASSY	3
1	1	1	1	1	1	1	1	1	1	1	1	1	1	1	METAL CLIP	2
1	1	1	1	1	1	1	1	1	1	1	1	1	1	1	PV4-S PIN CONNECTOR.	1

THIS DRAWING IS A CONTROLLED DOCUMENT.

DIMENSIONS: mm	TOLERANCES UNLESS OTHERWISE SPECIFIED:	DWN: WANG LORRY 13JUN2014	CHK: TAO DANIEL 13JUN2014	APVD: PETER YIN 13JUN2014	NAME: PETER YIN
0 PLC ±0.0	1 PLC ±	PRODUCT SPEC: 108-137077	APPLICATION SPEC: 114-137077	WEIGHT: -	SIZE: A2
2 PLC ±	3 PLC ±	SCALE: 1:1	SHEET: 1 OF 1	REV: A5	RESTRICTED TO: -
4 PLC ±	ANGLES ±	CUSTOMER DRAWING			

TE Connectivity
STE
 PIN CONNECTOR KITS
 PV4-S/S1 CONNECTOR, PV4-SM*/S1M*