

# XV3-10001

DALI to 0-10V Converter

**XV3-10001**  
 DALI to 0-10V  
 Converter

## Product Features

- 1-Channel 0-10V analog signal output.
- Max 15mA output current.
- Meets DALI IEC62386/IEC60929 protocol.
- Automatic address search.
- Safety Class 2.



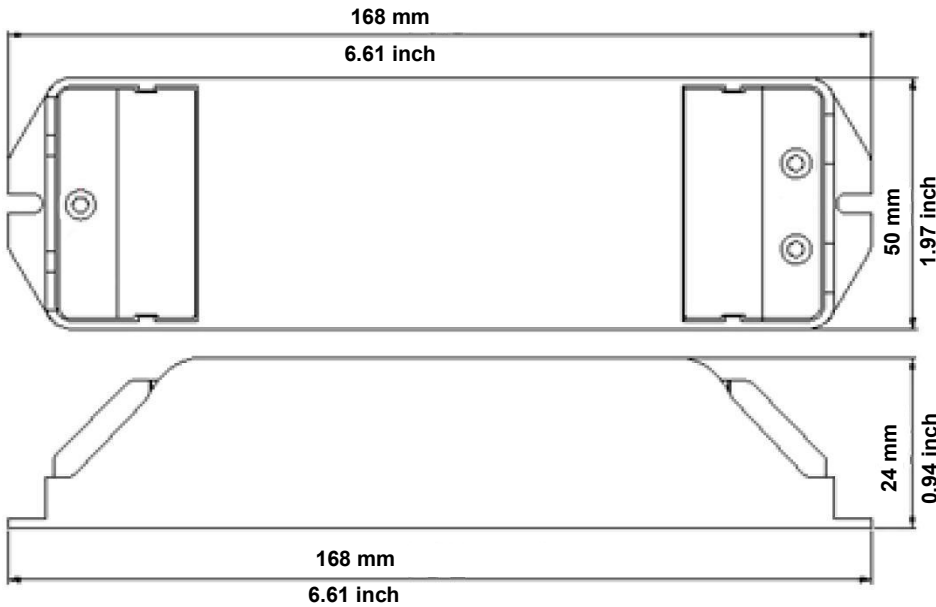
## Technical Specifications

Input Voltage	12 to 24 VDC
Input Signal	DALI
Number of Channels	1
Dimming DALI Protocol	IEC62386
Output Current	Source Current 0-10V = 20mA Max. Sink Current 1-10V = 15mA Max.
Output Signal	0-10V Analog Source; 1-10V Analog Sink
Dimensions	(L) 168 x (W)50 x (H)24 (mm), 6.61 x 1.97 x 0.94 (inch)
Gross Weight	86g
Operating Temperature	-20°C ~ 50°C

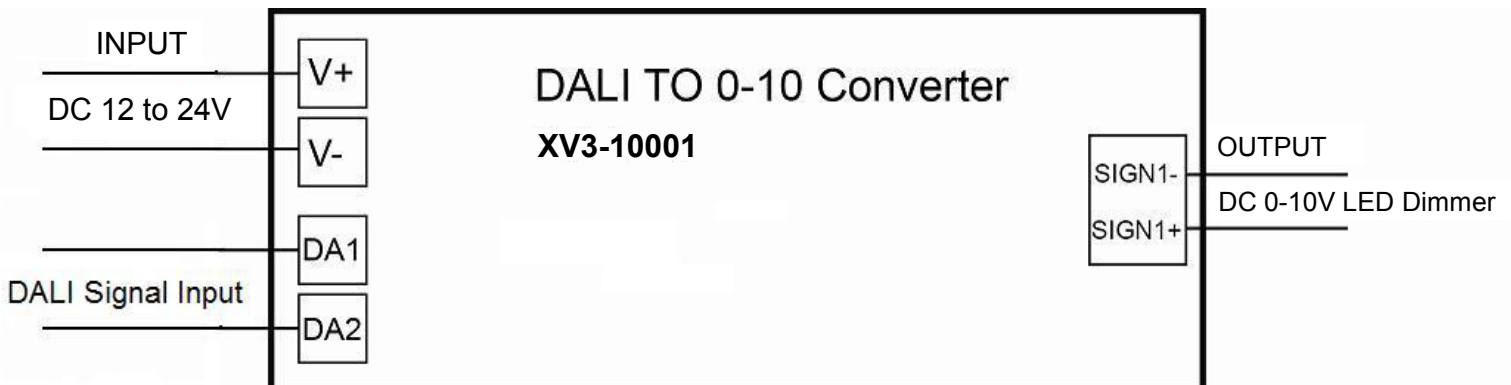
# XV3-10001

DALI to 0-10V Converter

## Dimensions



## Connection Instructions



### Installation Notes:

- 1) Review the connection diagram carefully before installation.
- 2) Use compatible wires on this product.
- 3) Press the cap down and insert wire then release cap.
- 4) Double-check all connections BEFORE turning power on.