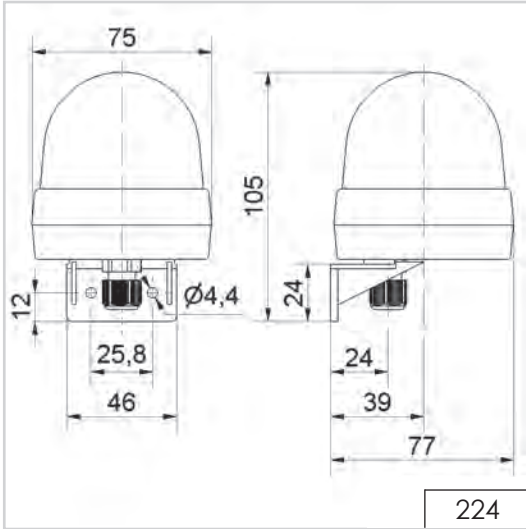
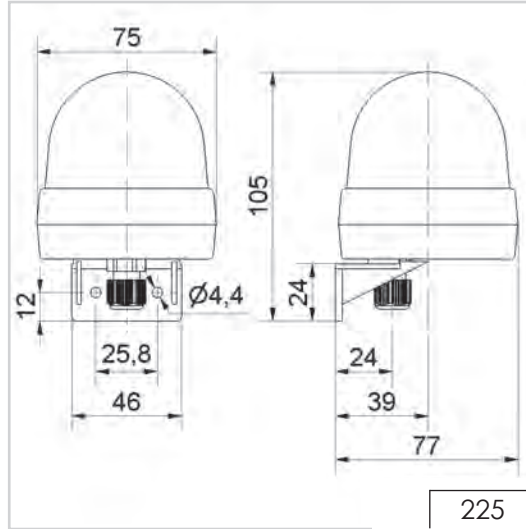


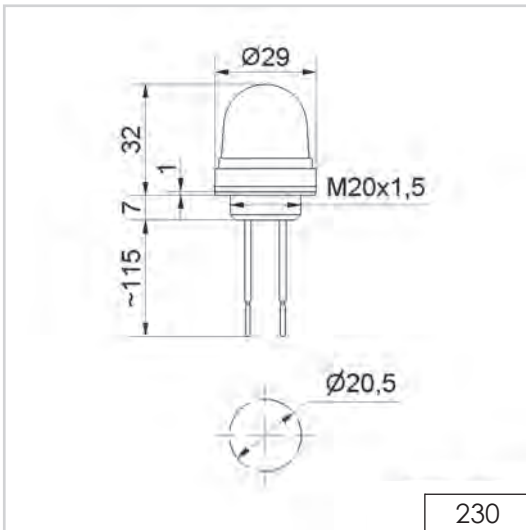
Technical Diagrams



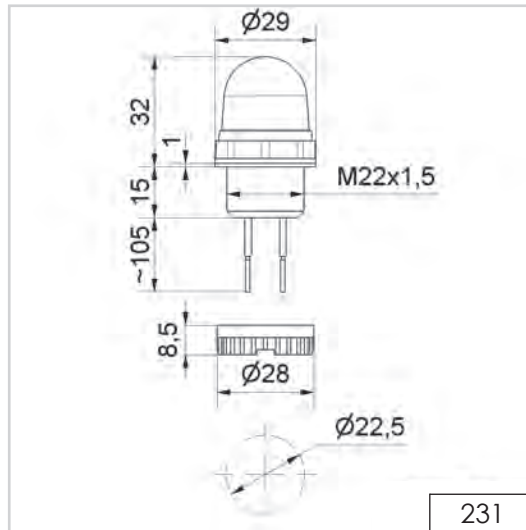
224



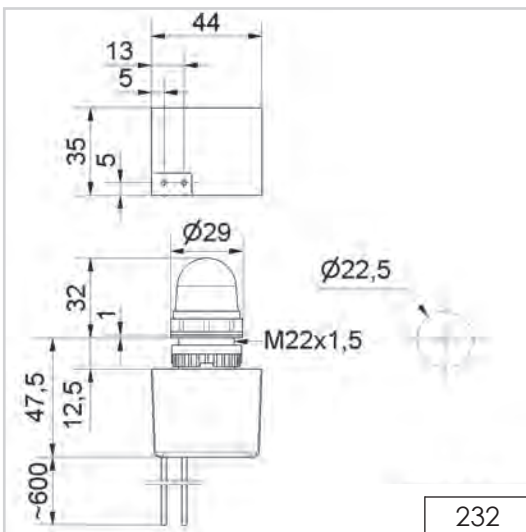
225



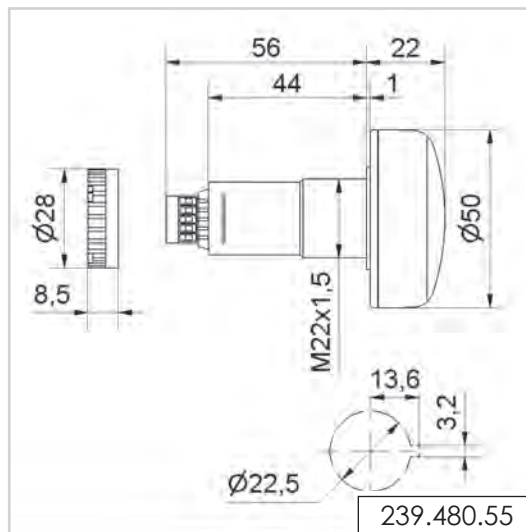
230



231



232



239.480.55

Technical Diagrams